



# RETRO

## conversion kit

### ASSEMBLY INSTRUCTIONS



**assembling**  
2 people



**time**  
approximately 1 hour



**tools**  
philips screwdriver, rubber hammer

[www.simplynursery.com](http://www.simplynursery.com)

Manufacturer Móveis Caftor Ltda. Rio Negrinho/SC - Brazil - 89295-000.

Distributed in the USA by: SIMPLY NURSERY, LLC. Orlando/Florida - 32819 - United States - 1-888-343-0730

## **WARNING**

### **STRANGULATION HAZARD:**

**Failure to follow these warnings and the assembly instructions could result in serious injury or death from entrapment or strangulation.**

Openings in and between bed parts can entrap head and neck of a small child. NEVER use bed with children younger than 15 months. ALWAYS follow assembly instructions. NEVER place bed near windows where cords from blinds or drapes may strangle a child. NEVER suspend strings over bed. NEVER place items with a string, cord, or ribbon, such as hood strings or pacifier cords, around a child's neck. These items may catch on bed parts.

**TO AVOID DANGEROUS GAPS, ANY MATTRESS USED IN THIS BED SHALL BE A FULL-SIZE CRIB MATTRESS AT LEAST 51 5/8 IN (131 CM) IN LENGTH BY 27 1/4 IN (69 CM) IN WIDTH, AND A MAXIMUM THICKNESS OF 6 IN (15 CM).**

**THE INTENDED USER'S MINIMUM AGE MUST BE AT LEAST 15 MONTHS OLD AND MAXIMUM WEIGHT MUST NOT EXCEED 50 LBS (22,7 KG).**

- Read all instructions before using the product. Keep the instructions for future use.
- Failure to follow these warnings and assembly instructions could result in serious injury and/or death.
- As with all infant and baby furniture, it is important to check fasteners, screws, and bolts periodically for tightness. Parents should ensure a safe environment for their child by checking the furniture regularly before placing the child in the product.

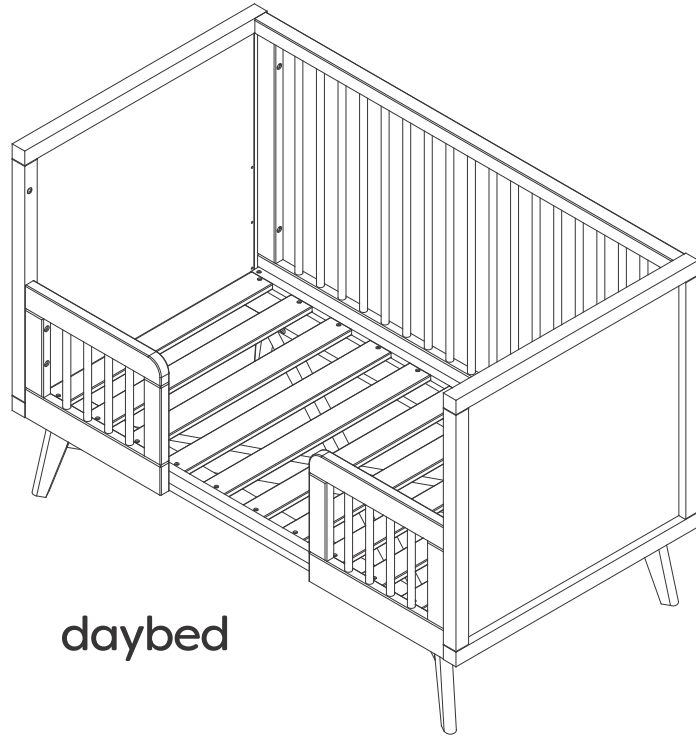
### **Care and Cleaning**

To remove accumulated dust of your wood product use a soft, lint-free cloth. For a deeper cleaning use a soft, lint-free cloth which has been dampened on a solution of neutral detergent and warm water. Do not use oily products, abrasives, ammonia or other aggressive products of cleaning.

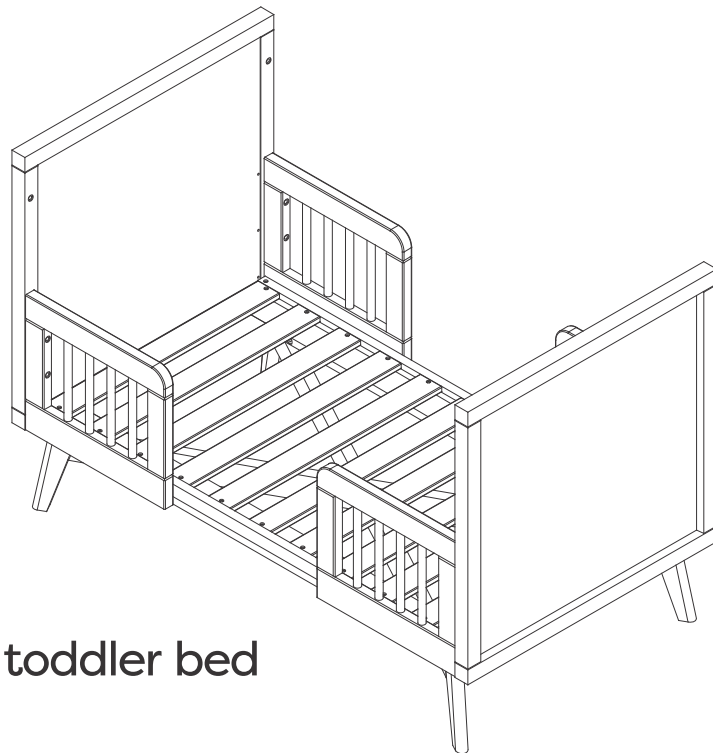
### **How to prevent your wood furniture from warping, cracking or drying out:**

- Keep moderate temperatures (70°F - 72°F) and humidity around 50% - 55% in your home set.
- Ensure your humidifier is working properly.
- Avoid recurrent and/or sudden variation in humidity.
- Place your wood furniture away from heat sources, for example, but not limited to fireplaces or radiators.
- Keep your furniture away from direct sunlight.
- Use a dehumidifier during rainy seasons to remove excess moisture from the air.

# RETRO CONVERSION KIT

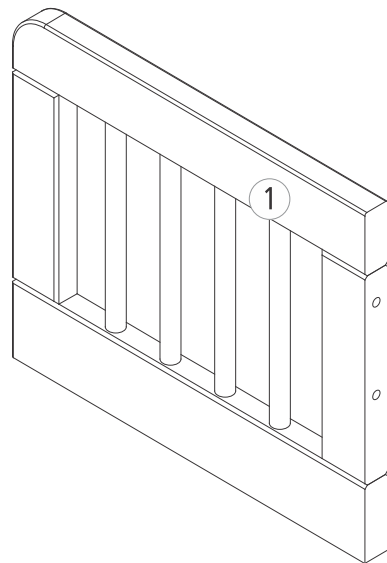
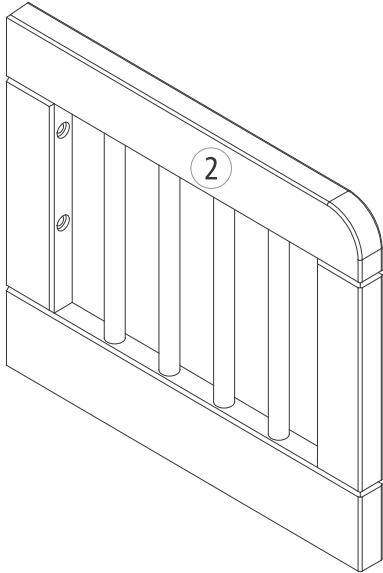
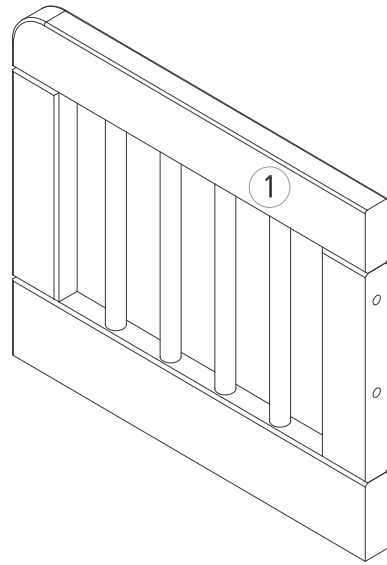
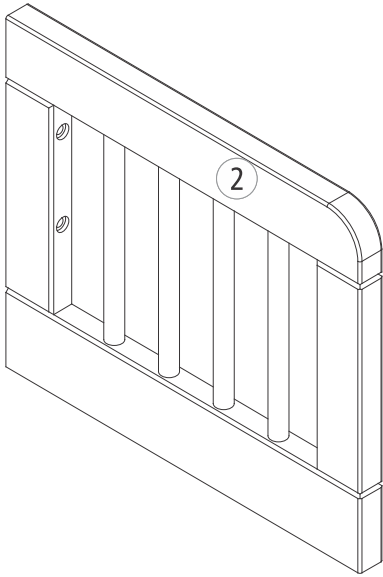


daybed

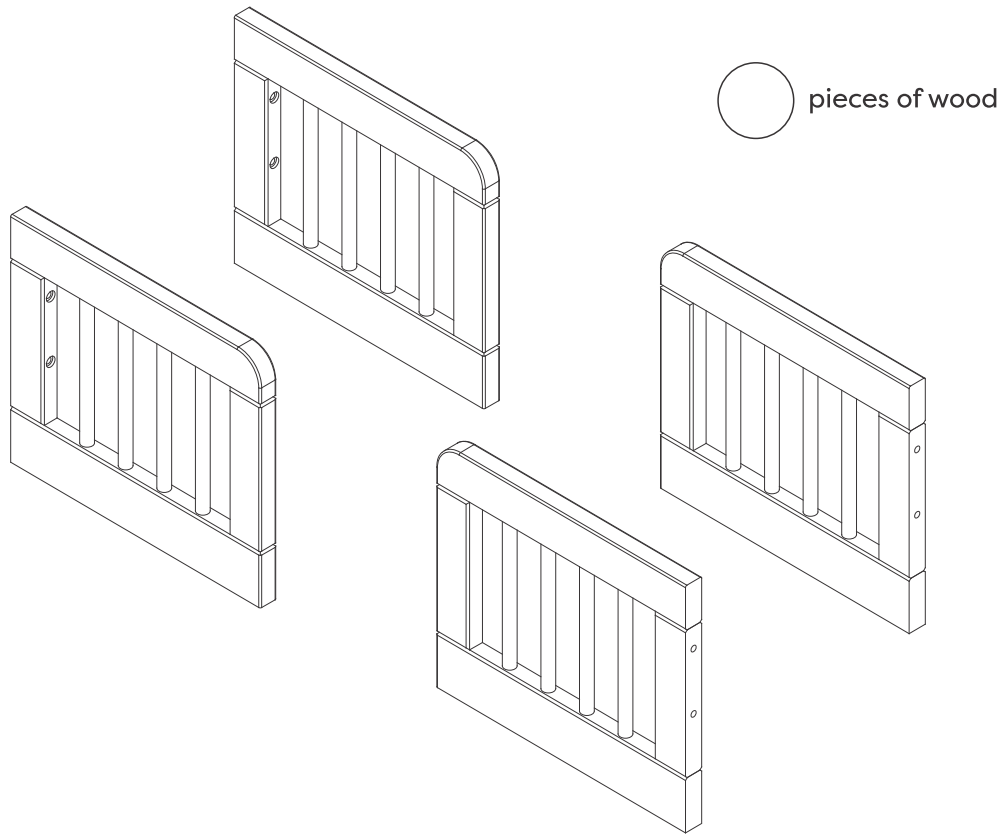


toddler bed

# Parts

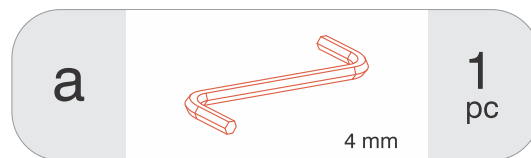
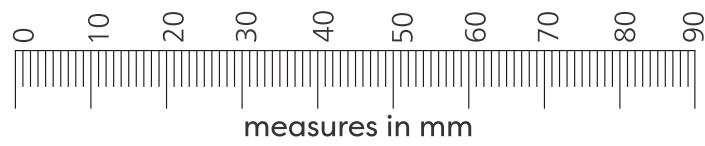


# Material

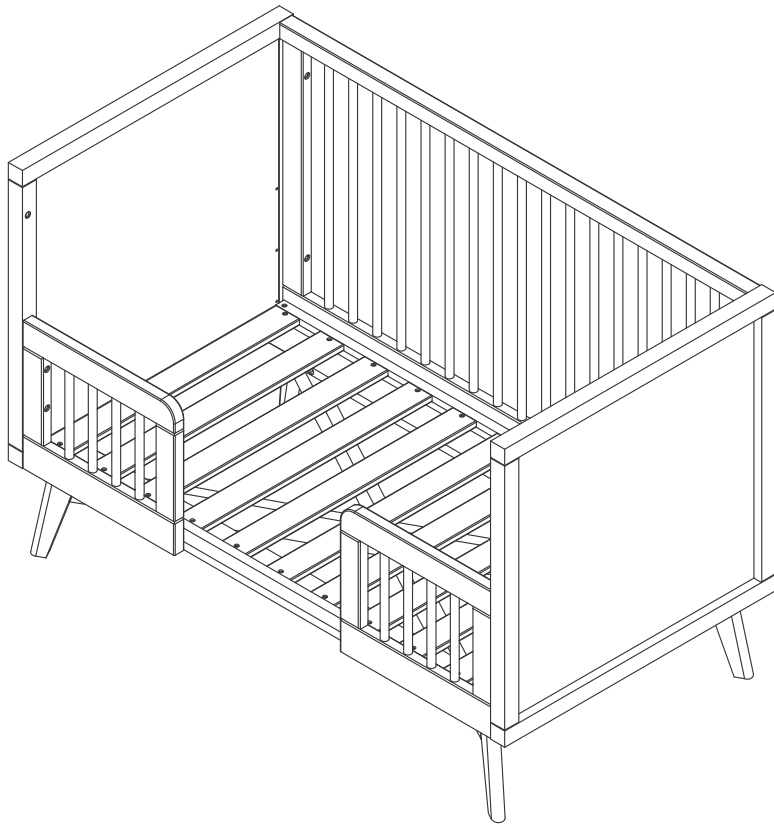


# Hardware Set

Use the ruler below to measure the hardware:



# Couch



1

2

3

4

5



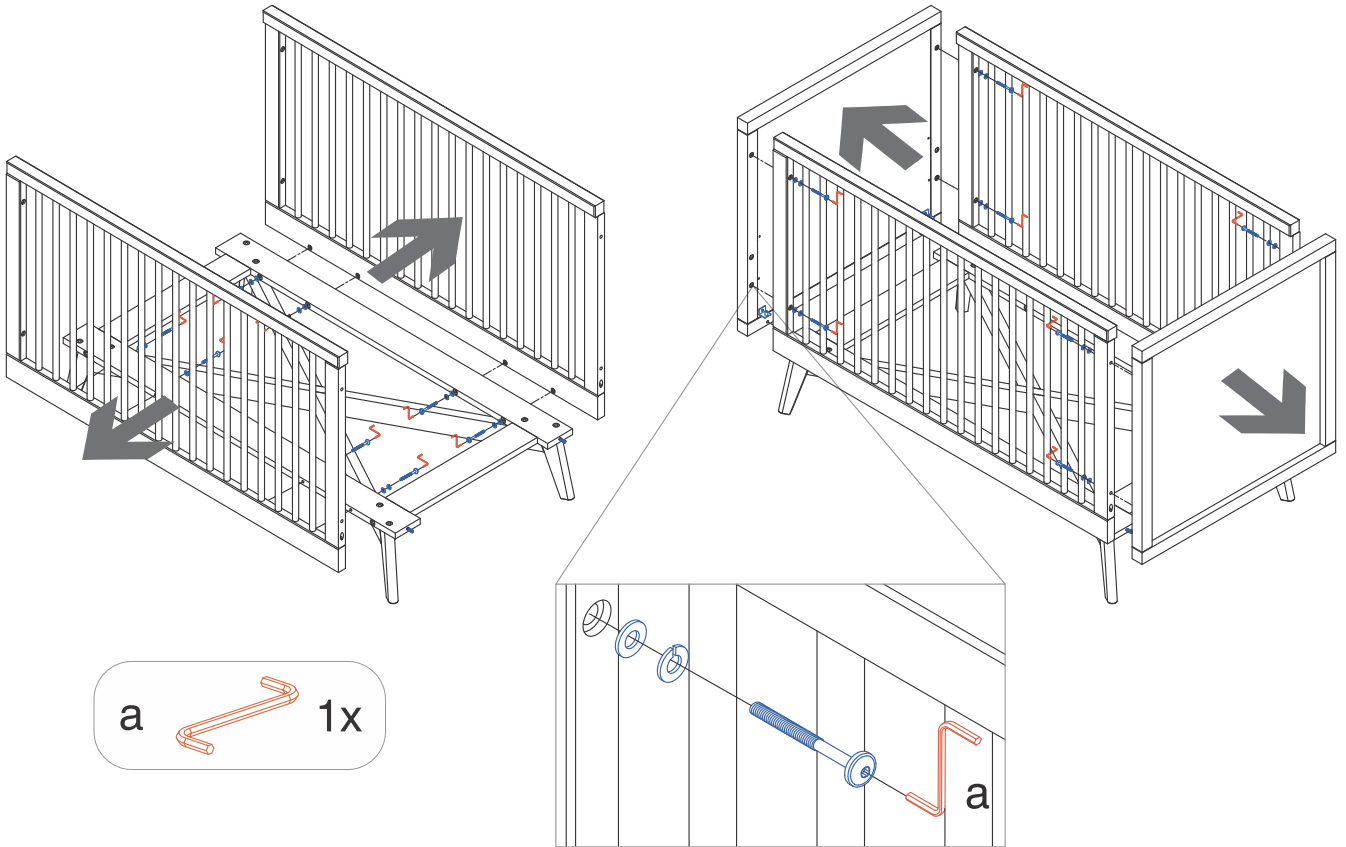
1

2

3

4

5



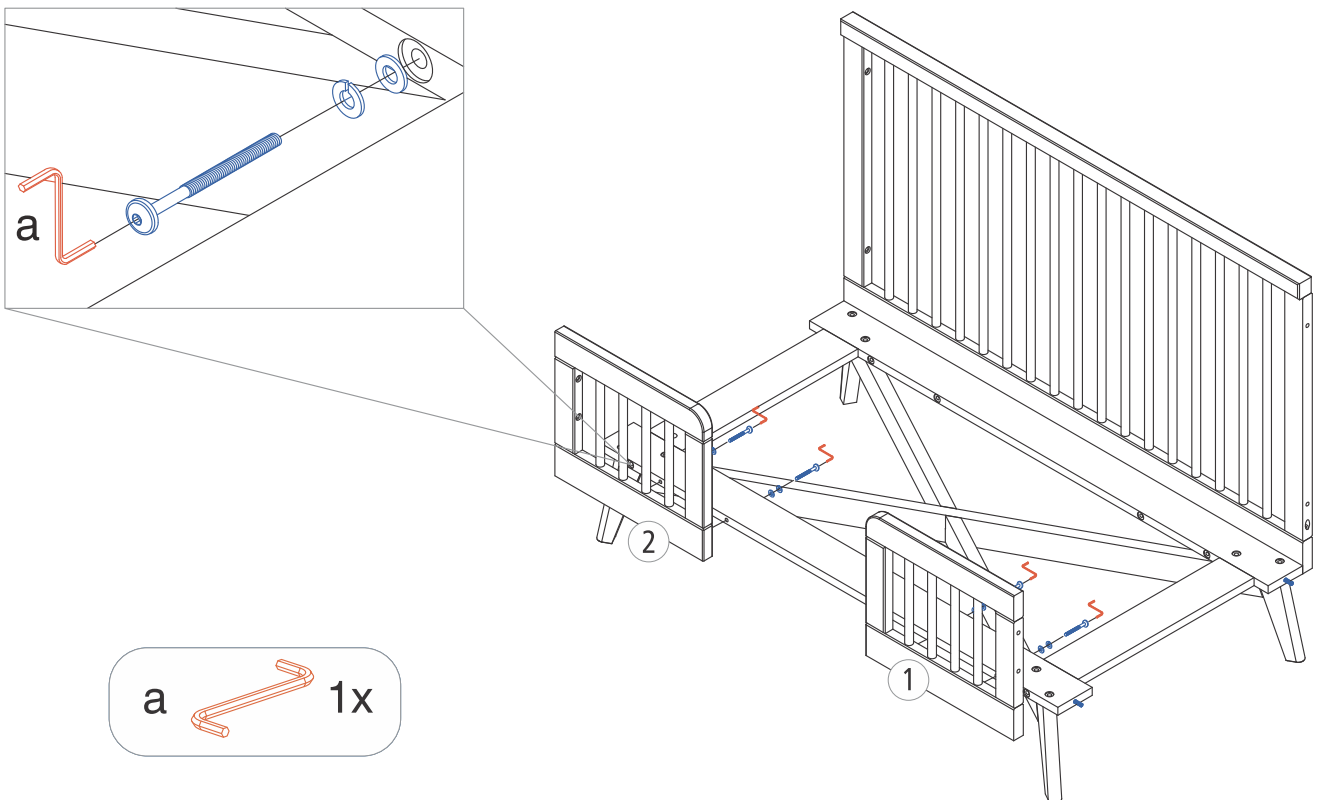
1

2

3

4

5



1

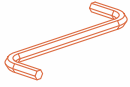
2

3

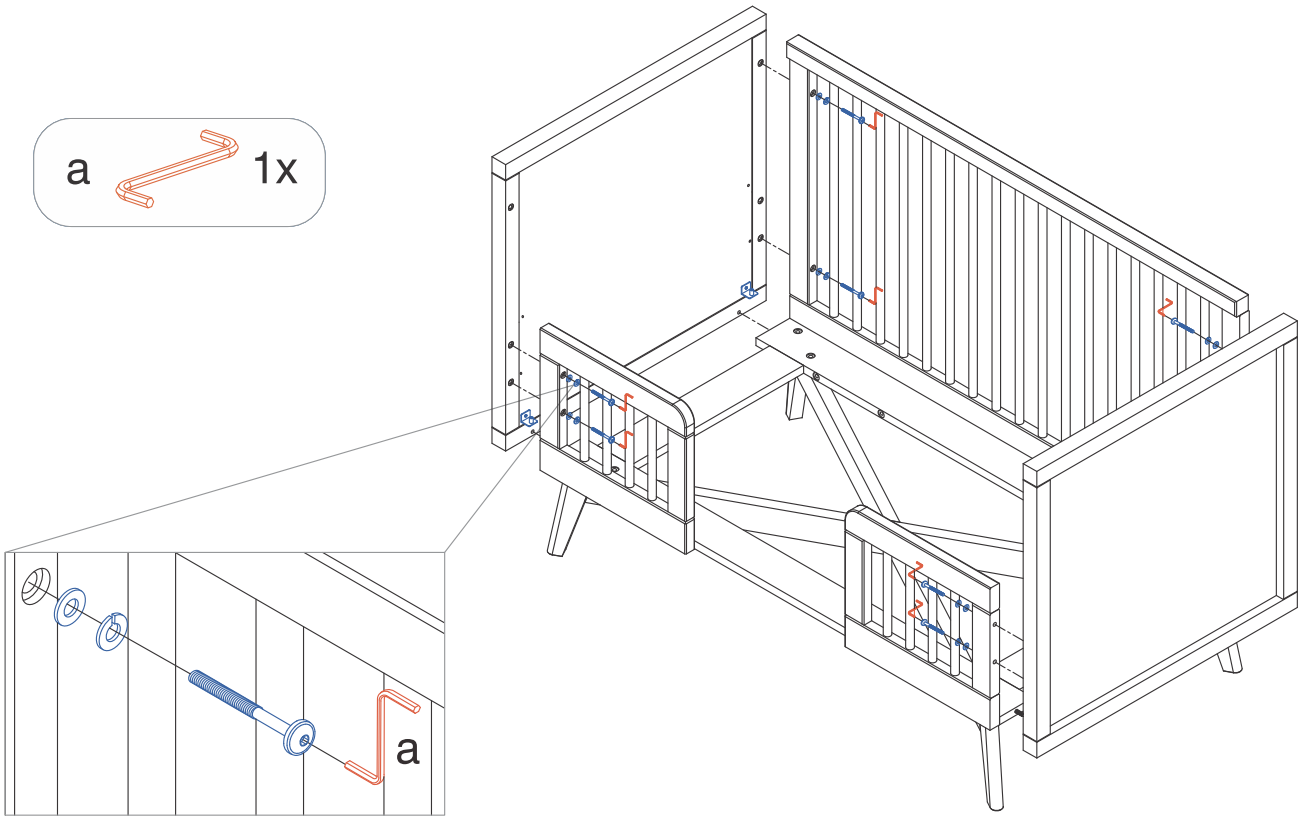
4

5

a



1x



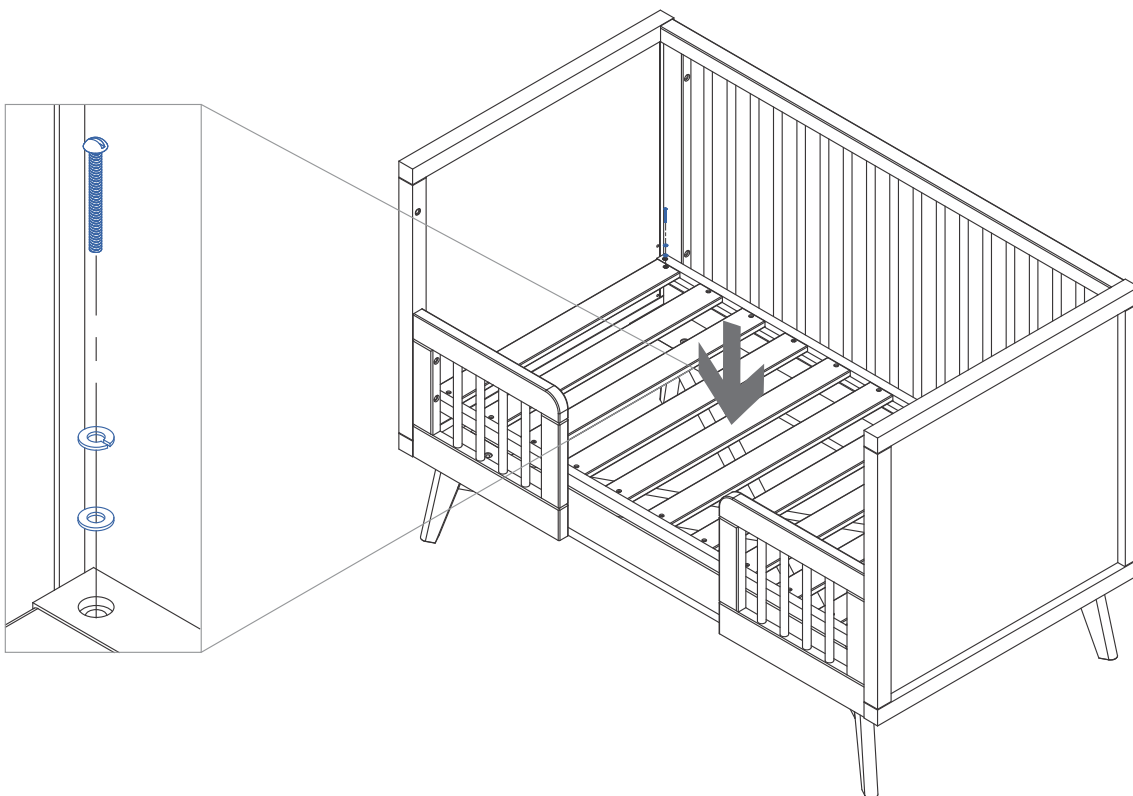
1

2

3

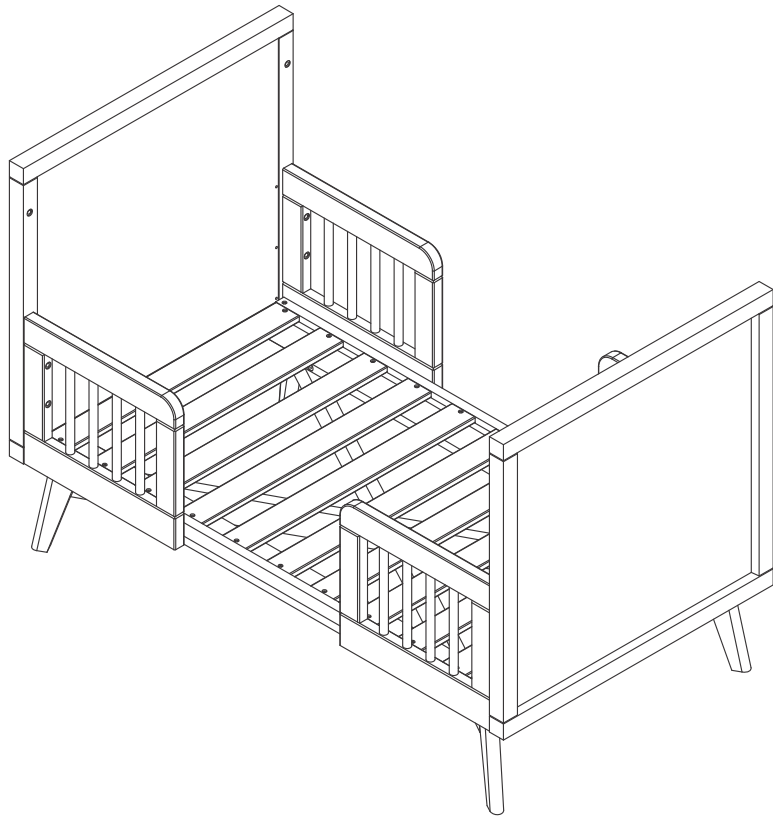
4

5





# Toddler Bed



- 1
- 2
- 3
- 4
- 5



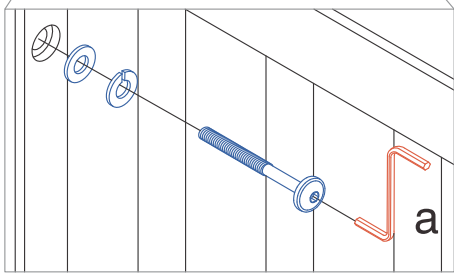
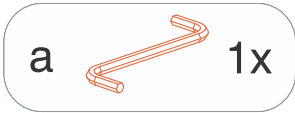
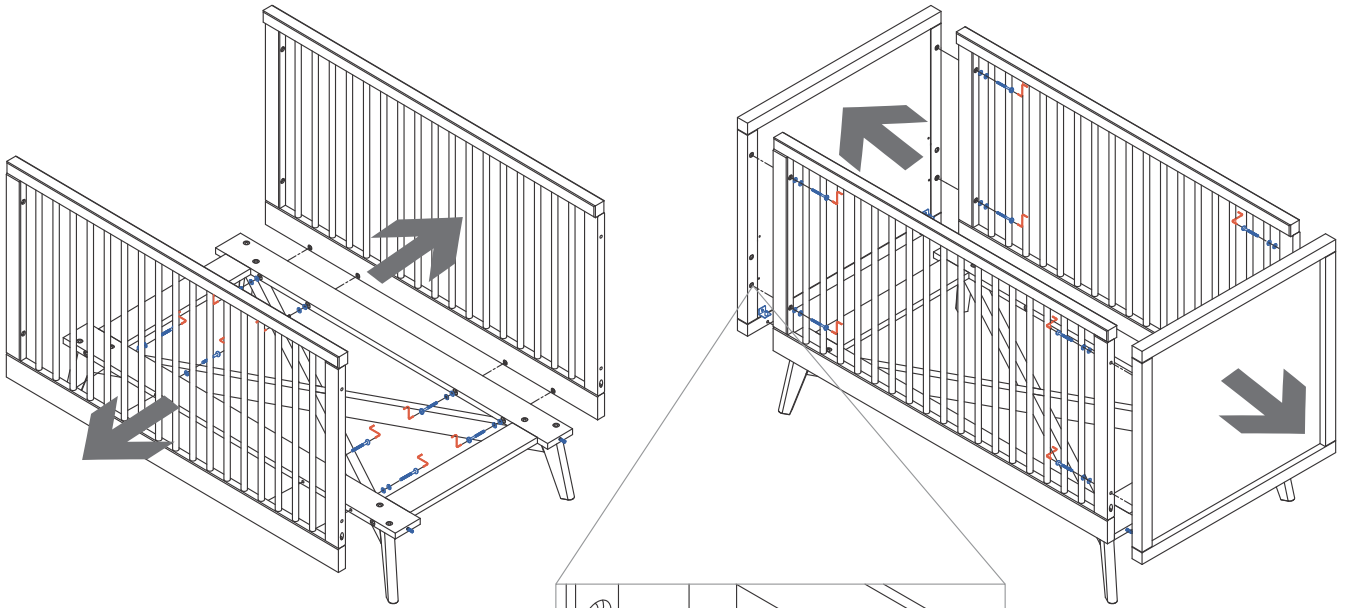
1

2

3

4

5



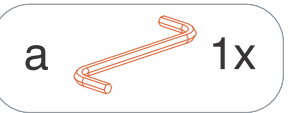
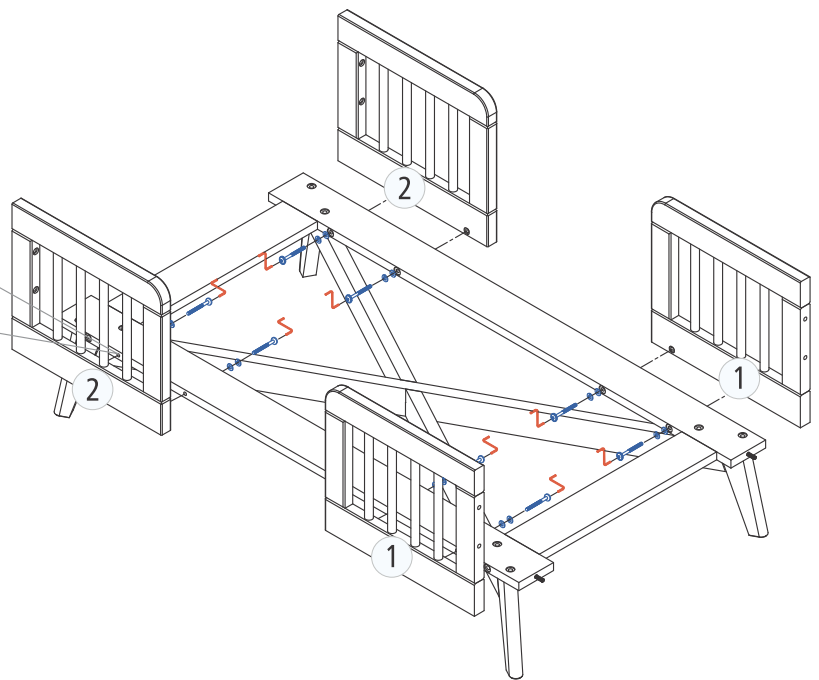
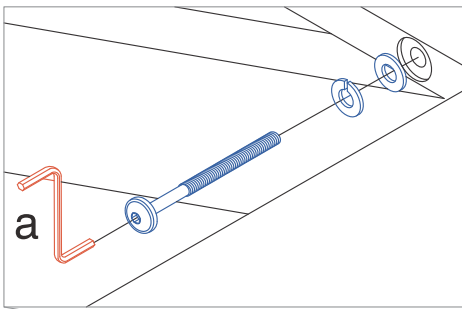
1

2

3

4

5



1

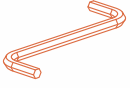
2

3

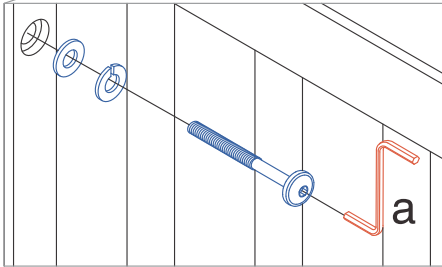
4

5

a



1x



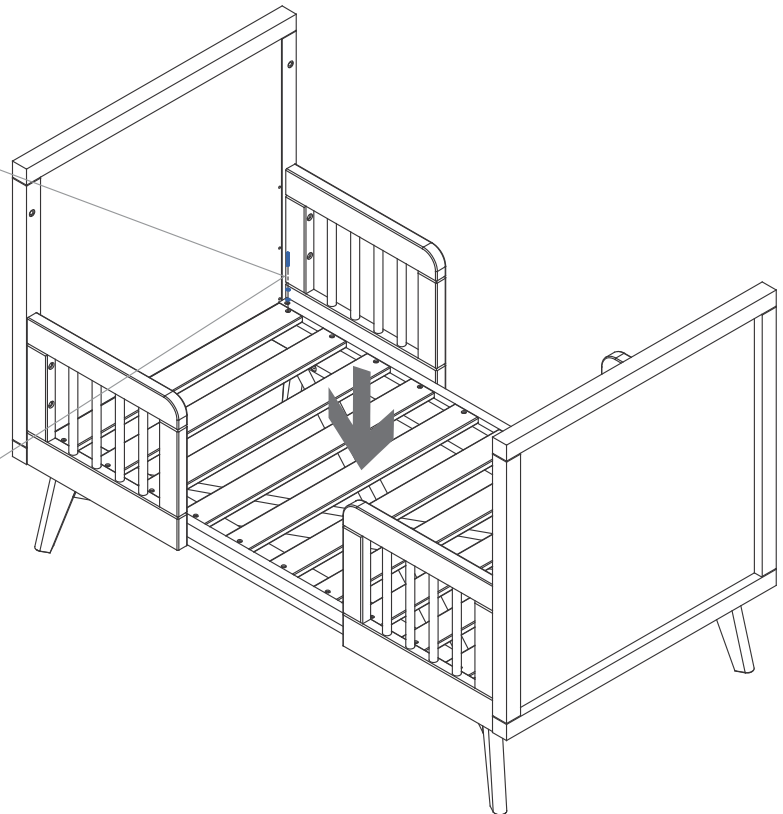
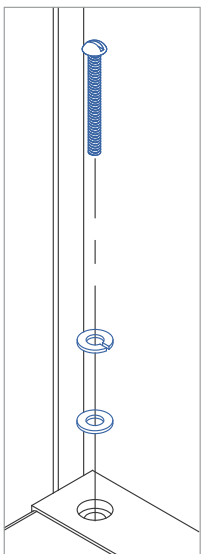
1

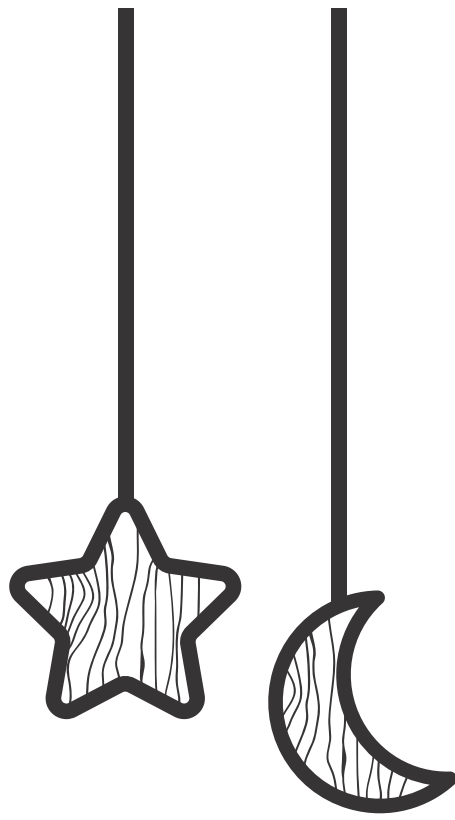
2

3

4

5





[www.simplynursery.com](http://www.simplynursery.com)  
[contact@simplynursery.com](mailto:contact@simplynursery.com)