



NOAH

4 drawer chest

ASSEMBLY INSTRUCTIONS



assembling
2 people



time
approximately 2 hours



tools
philips screwdriver, rubber hammer

www.simplynursery.com

Manufacturer Móveis Caftor Ltda. Rio Negrinho/SC - Brazil - 89295-000.

Distributed in the USA by: SIMPLY NURSERY, LLC. Orlando/Florida - 32819 - United States - 1-888-343-0730



Warnings

- Read all instructions before using the product. Keep the instructions for future use.
- Failure to follow these warnings and assembly instructions could result in serious injury or death.
- DO NOT use this product if the instructions cannot be strictly followed.
- DO NOT use this product if any parts are missing, damaged or broken. Contact Simply Nursery, LLC for replacement parts and instructional literature if needed. DO NOT substitute parts.
- As with all infant furniture and baby furniture, it is important to check fasteners, screws and bolts periodically for tightness. Parents should ensure a safe environment for their children by checking the furniture regularly before placing a child in the product.
- DO NOT allow children to climb on unit. Anchor unit to stud or wall.
- Put heavy items on lower drawers.

Care and Cleaning

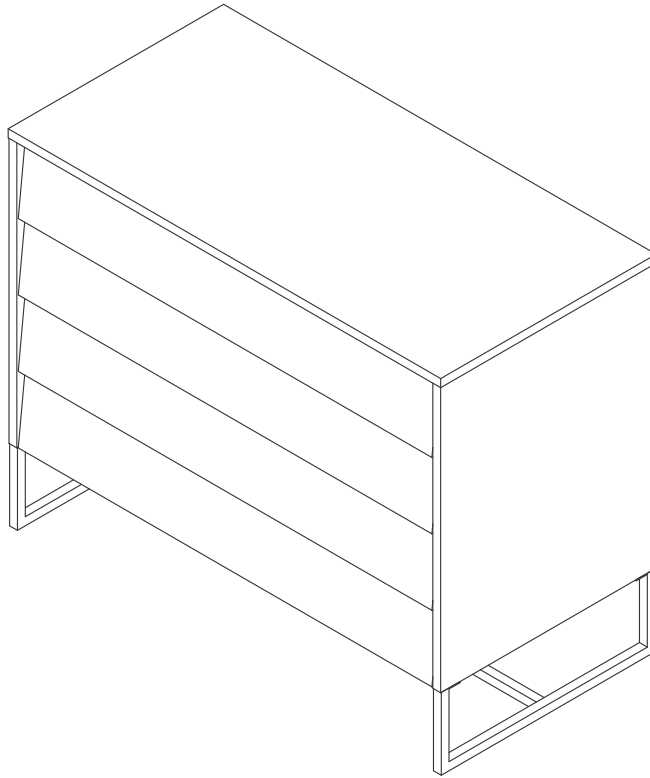
To remove accumulated dust of your wood product use a soft, lint-free cloth. For a deeper cleaning use a soft, lint-free cloth which has been dampened on a solution of neutral detergent and warm water. Do not use oily products, abrasives, amonia or other aggressive products of cleaning.

How to prevent your wood furniture from warping, cracking or drying out:

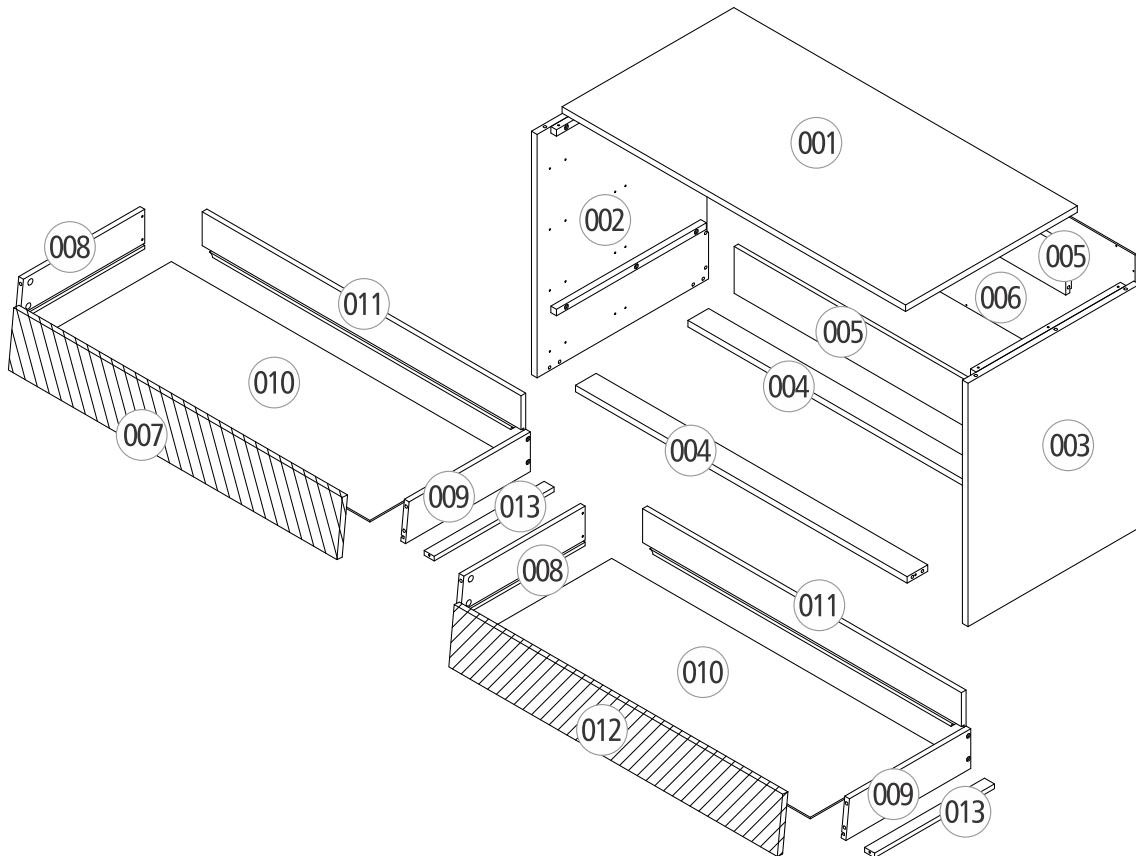
- Keep moderate temperatures (70°F - 72°F) and humidity around 50% - 55% in your home set.
- Ensure your humidifier is working properly.
- Avoid recurrent and/or sudden variation in humidity.
- Place your wood furniture away from heat sources, for example, but not limited to fireplaces or radiators.
- Keep your furniture away from direct sunlight.
- Use a dehumidifier during rainy seasons to remove excess moisture from the air.

NOAH

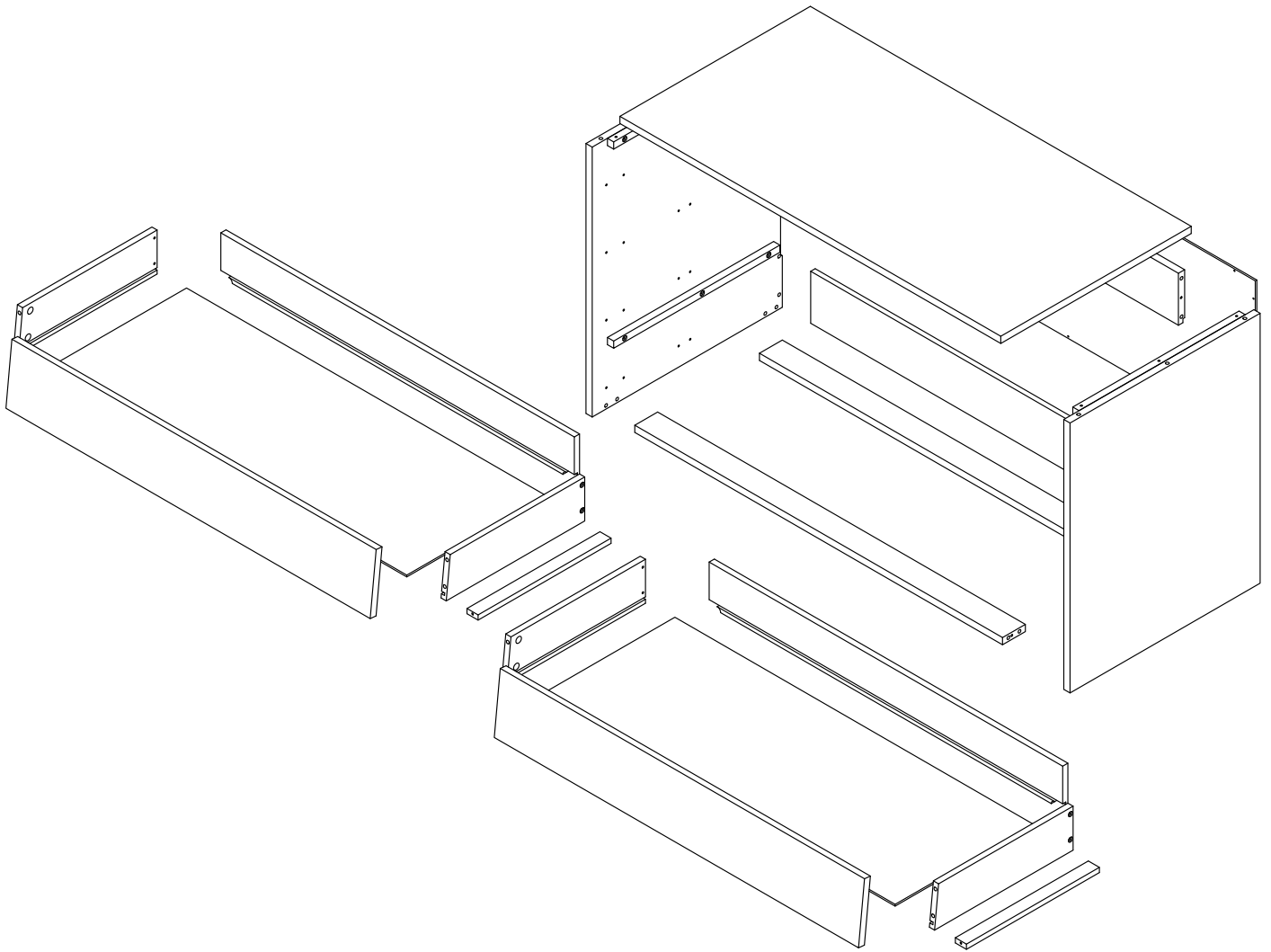
4 DRAWER CHEST



Parts



Material

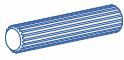
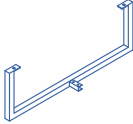

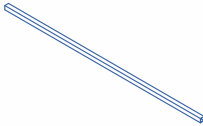


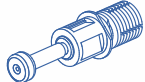


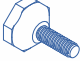

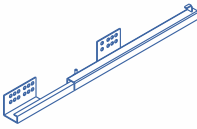

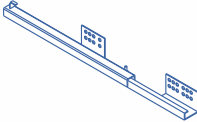






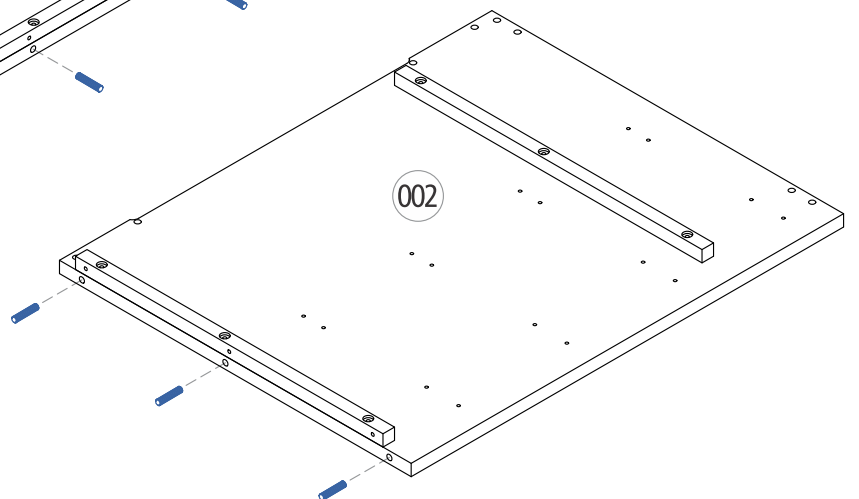
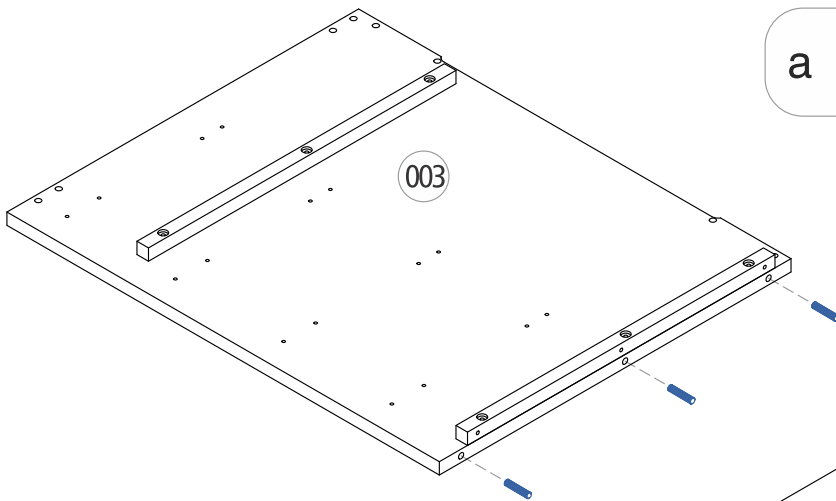
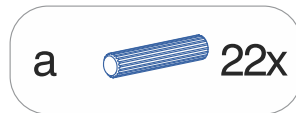
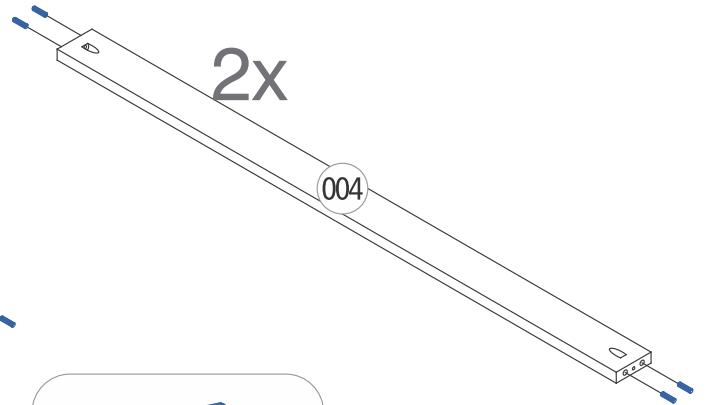
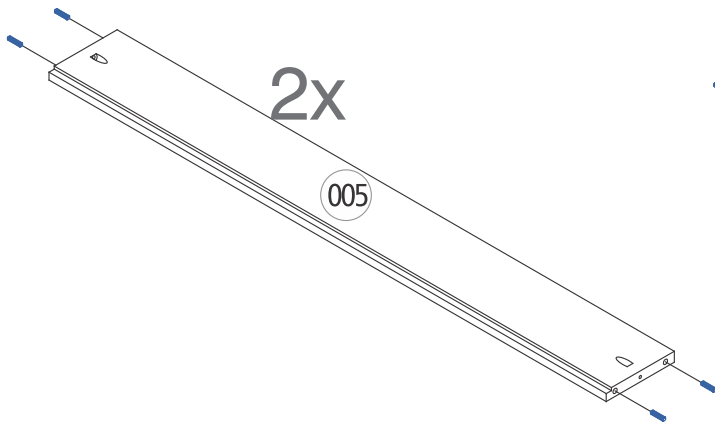
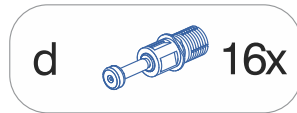
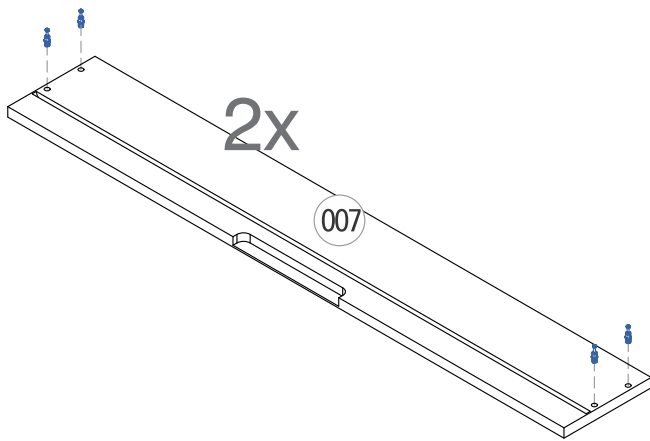
○ pieces of wood

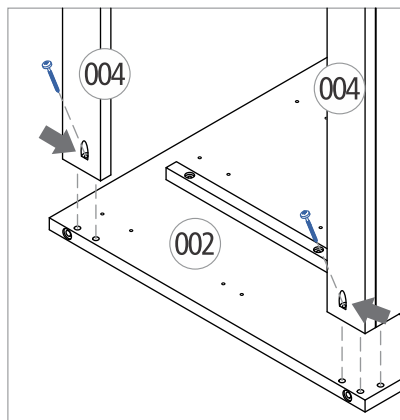
Hardware Set

Use the ruler below to measure the hardware:

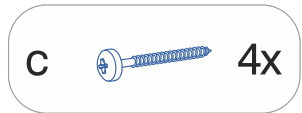
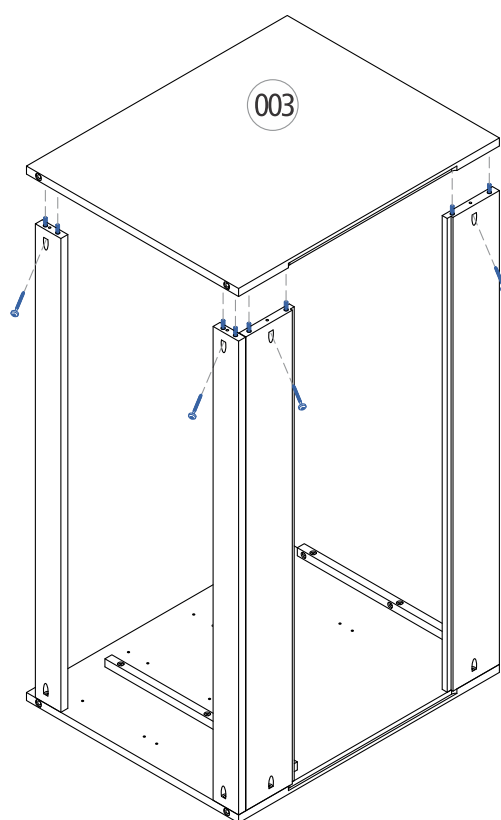
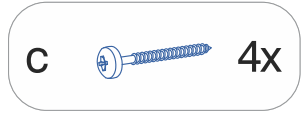
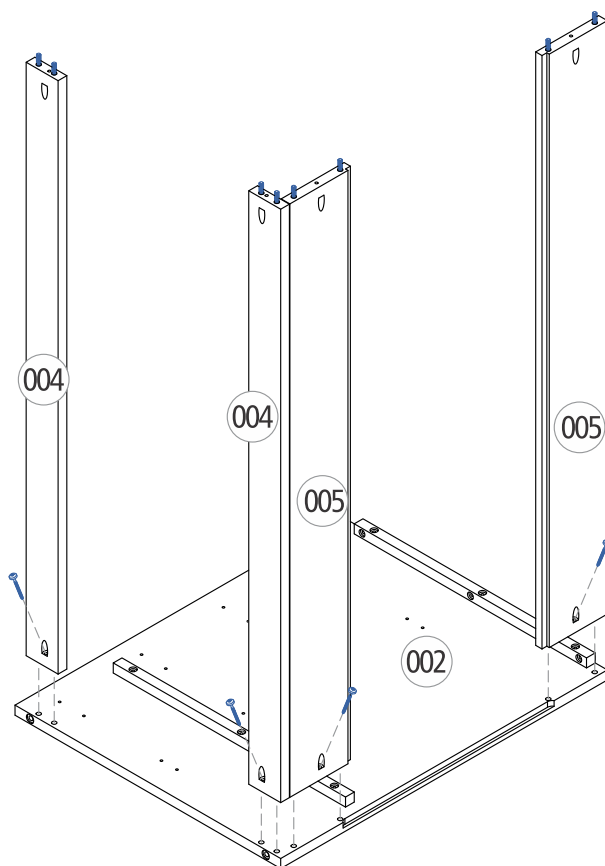


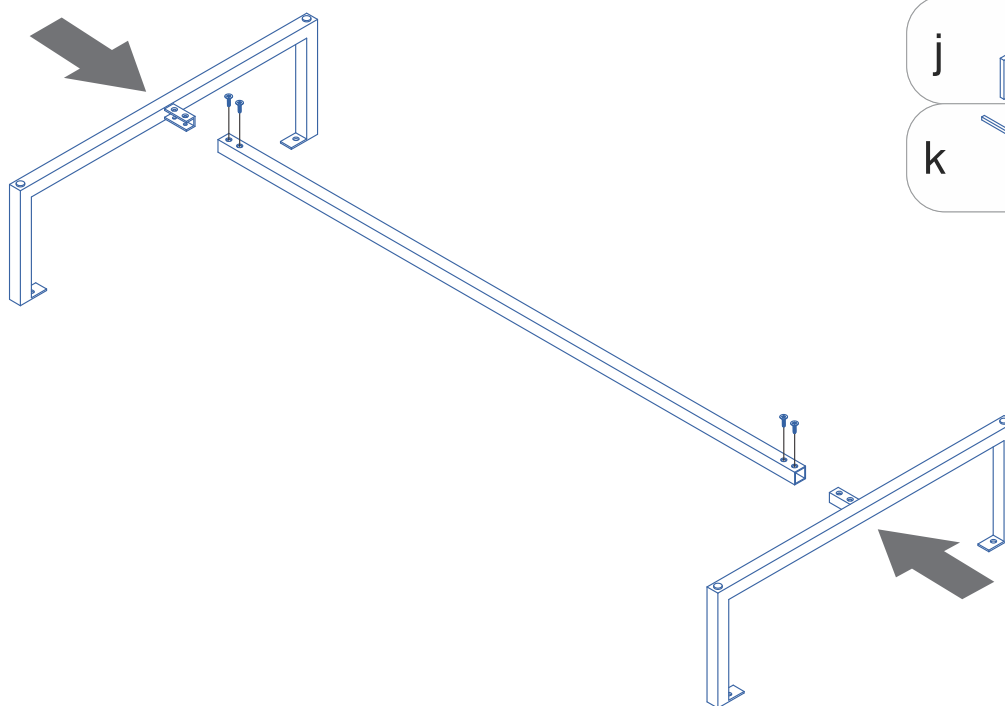
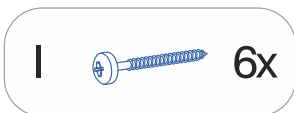
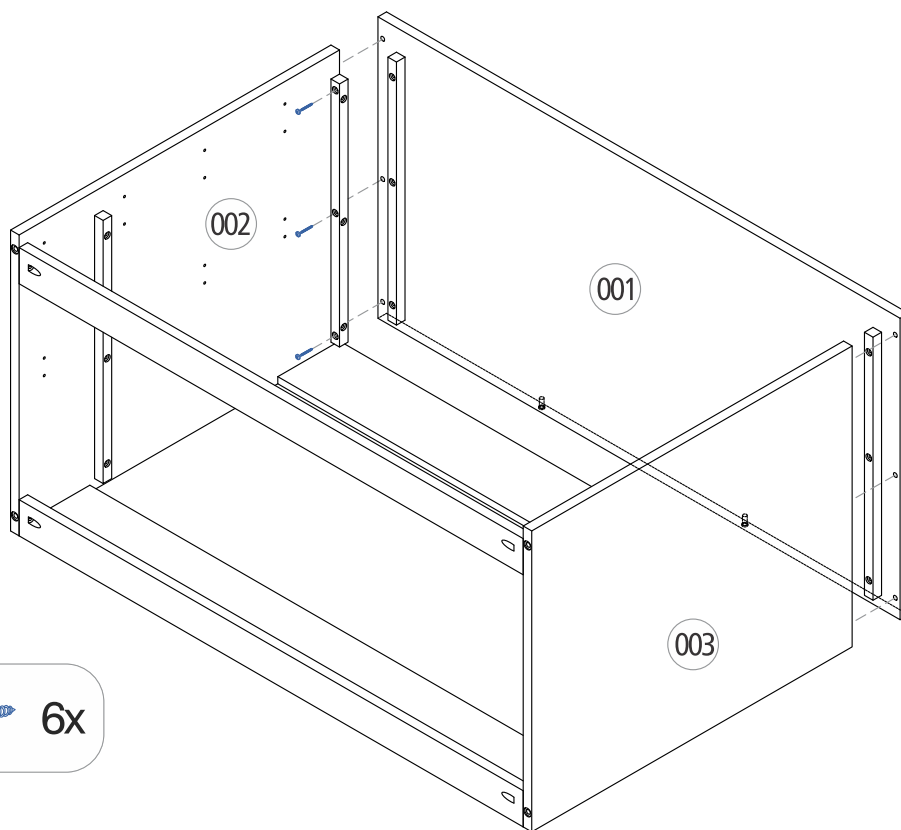
a	 Ø 8 x 30 mm	22 pcs	j		02 pcs
b	 Ø 3,5 x 16 mm	16 pcs	k		01 pcs
c	 Ø 4 x 35 mm	08 pcs	l	 Ø 4 x 30 mm	14 pcs
d		16 pcs	m		01 pcs
e		16 pcs	n		04 pcs
f	 Ø 4 x 35 mm	16 pcs	o		04 pcs
g	 Ø 1/4 x 40 mm	04 pcs	p		04 pcs
h	 Ø 13,5 mm	04 pcs	q		32 pcs
i		04 pcs	r	 Ø 3 x 16 mm	08 pcs


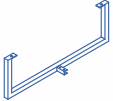
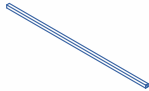




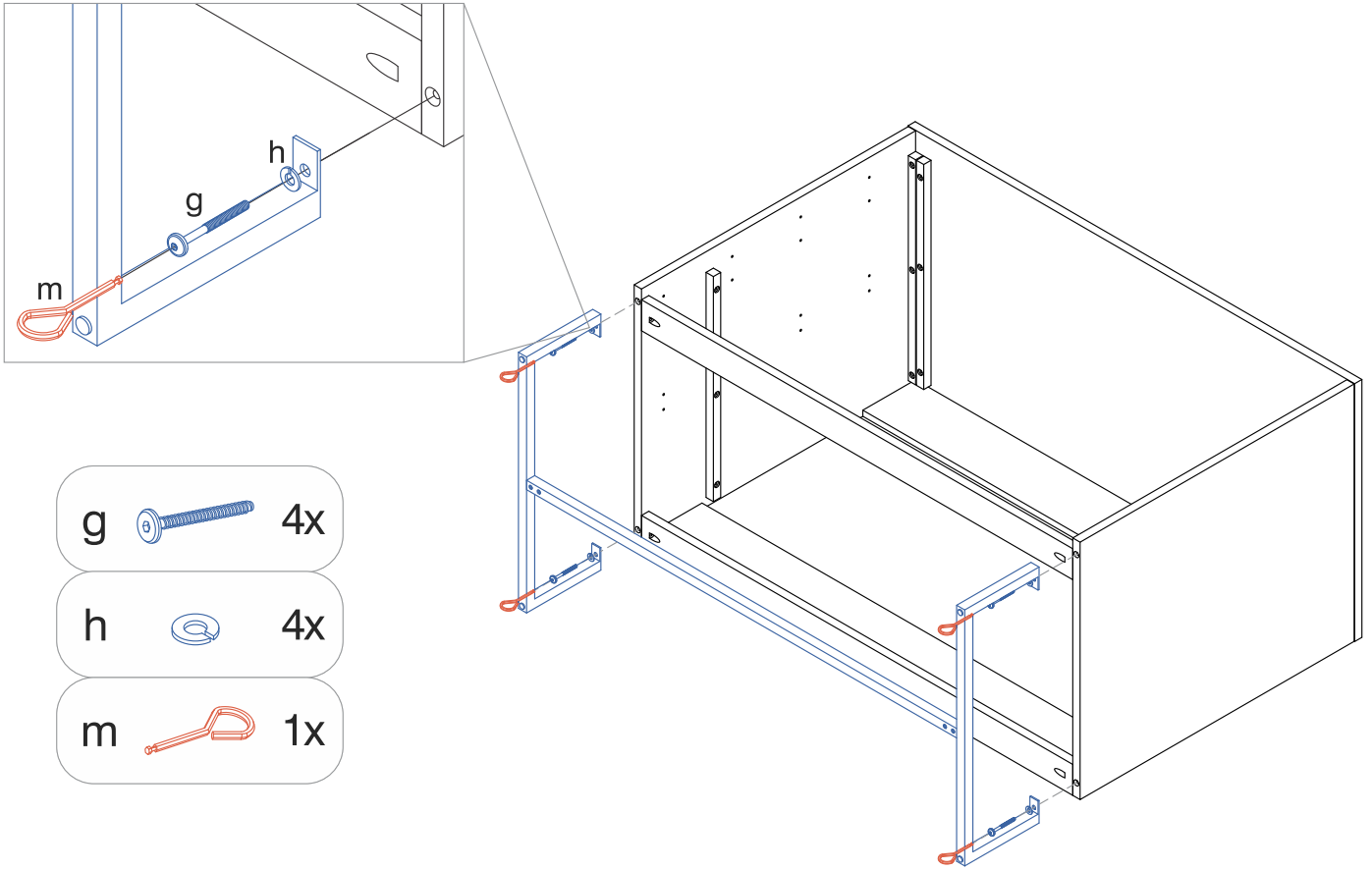
CAUTION
Attach part #004 with the screw holes facing the internal side of part #002.

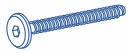






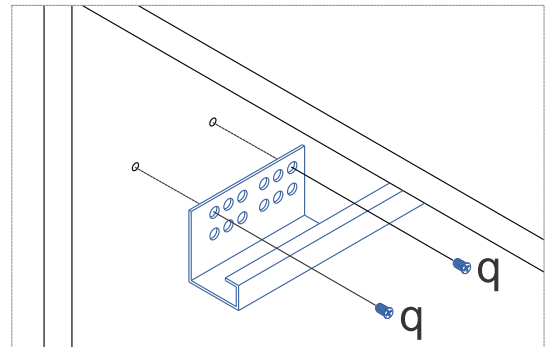
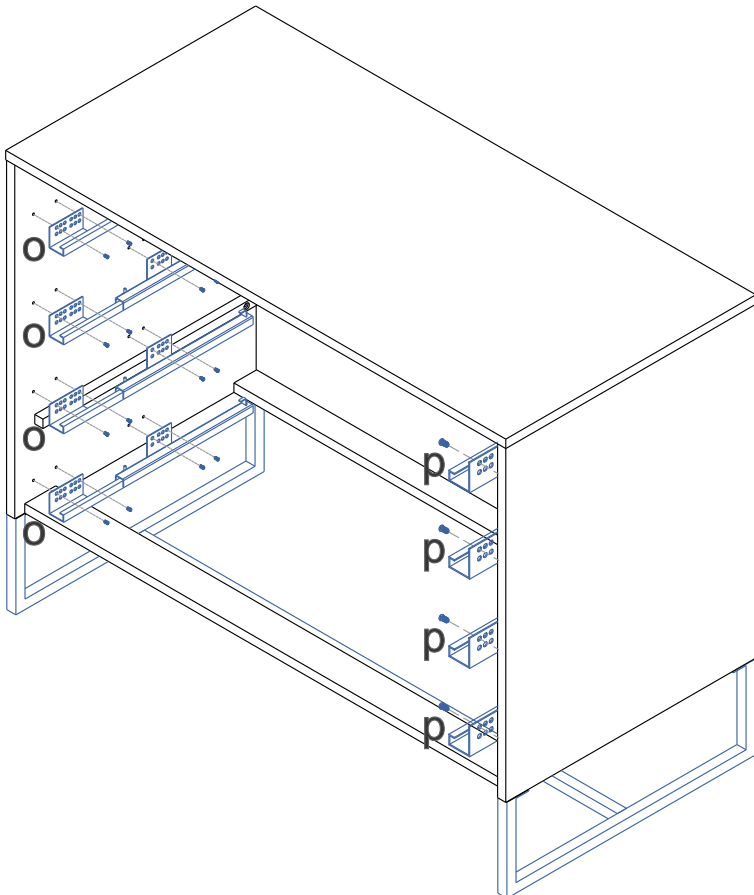
- i  4x
- j  2x
- k  1x

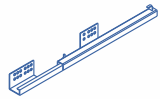
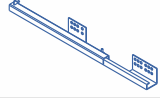

1 2 3 4 5 **6** 7 8 9 10 11 12 13



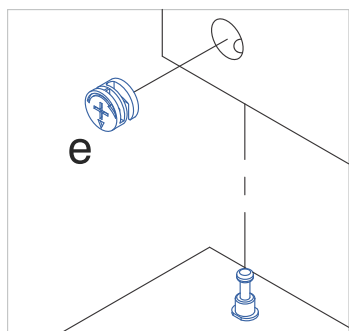
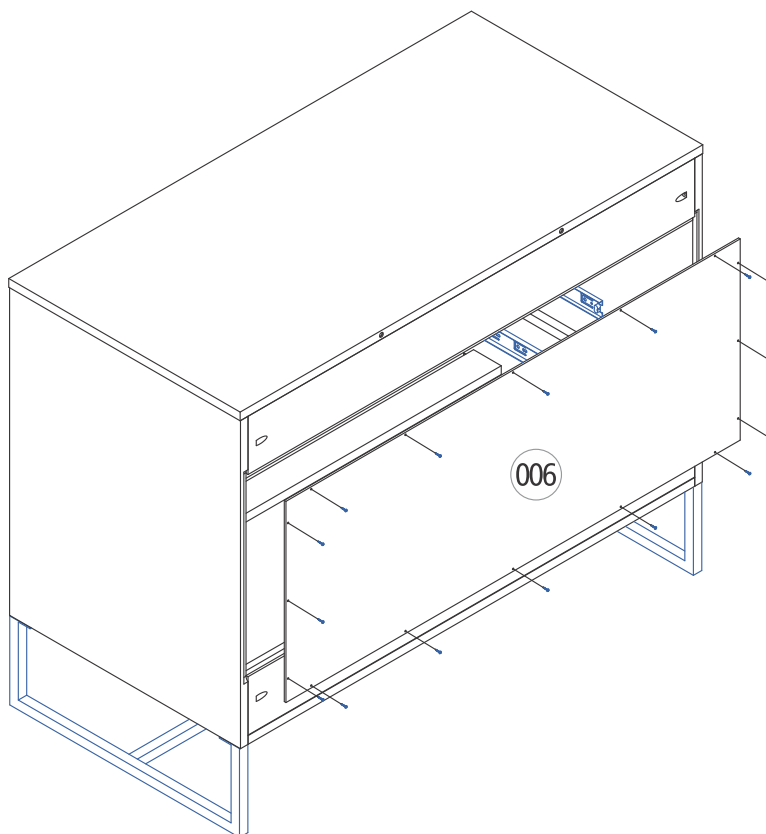
- g**  4x
- h**  4x
- m**  1x

1 2 3 4 5 6 **7** 8 9 10 11 12 13

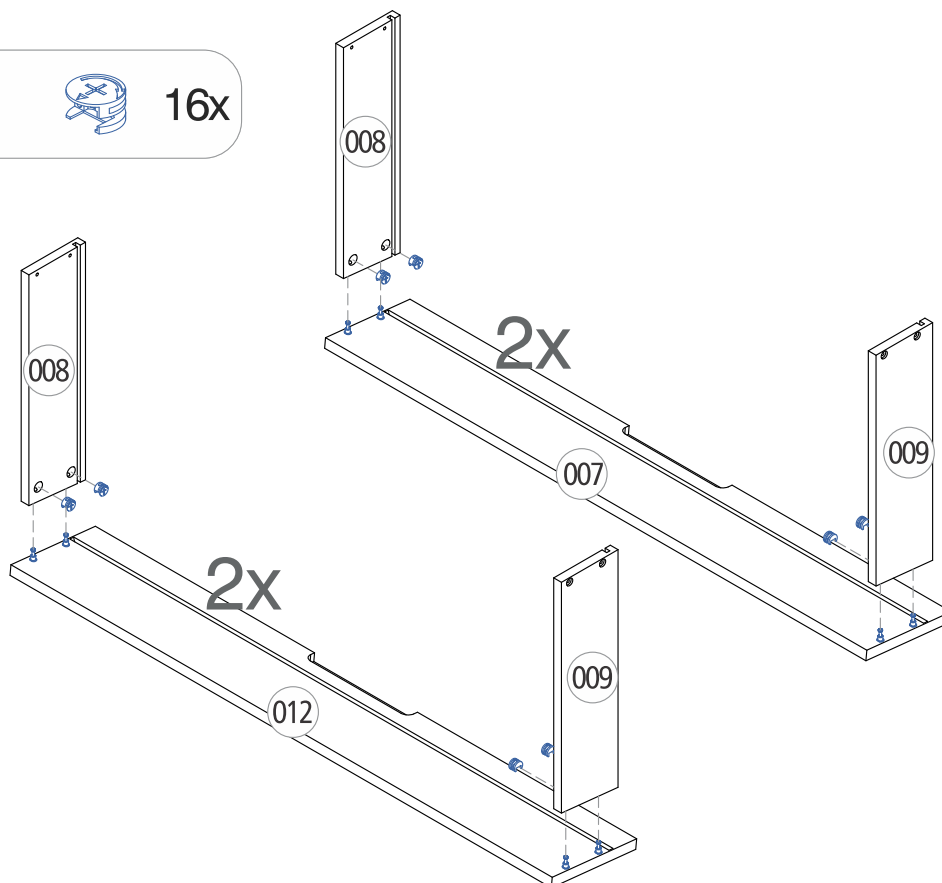
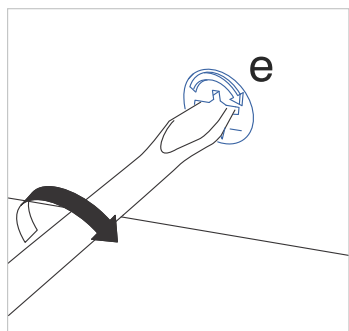


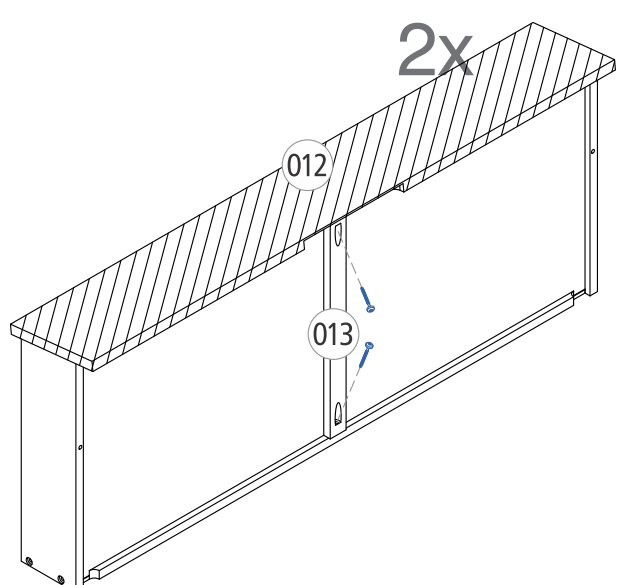
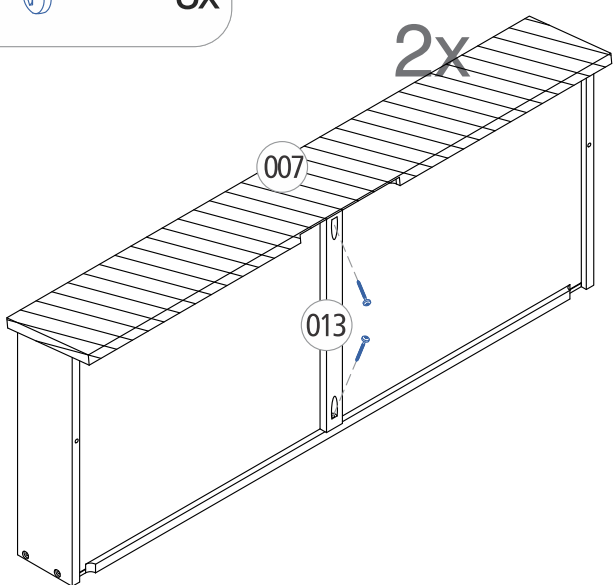
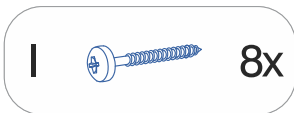
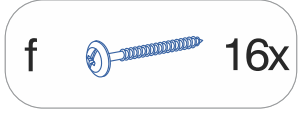
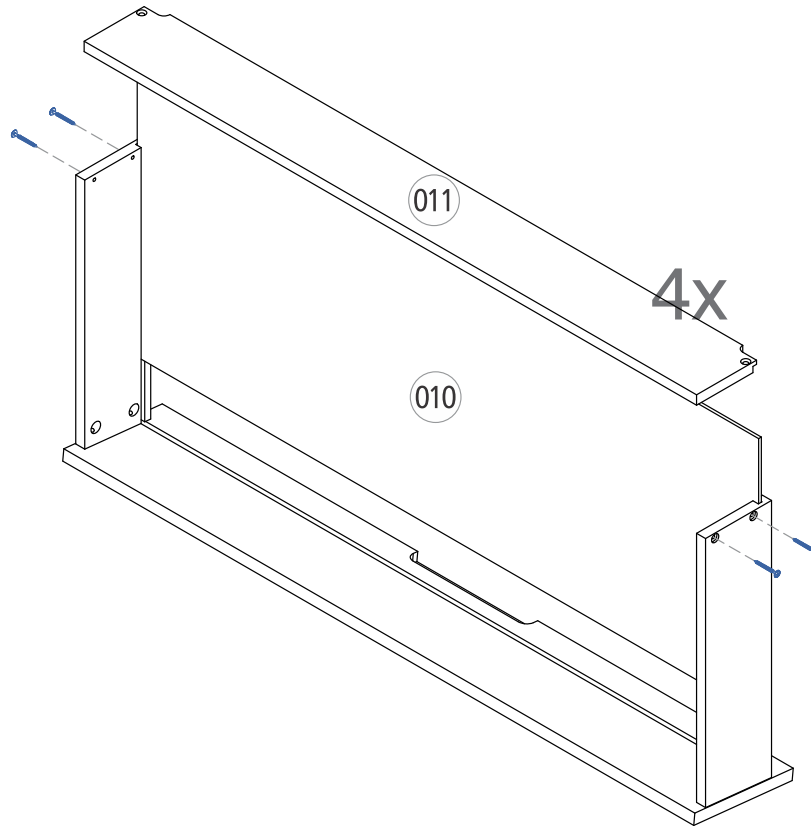
- o**  4x
- p**  4x
- q**  32x

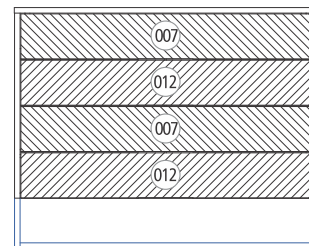
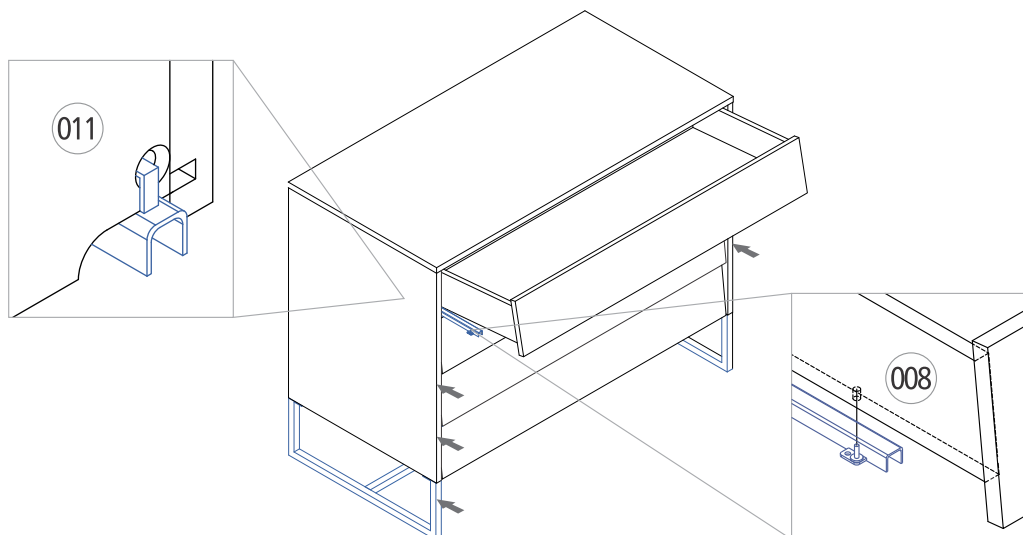
b  16x



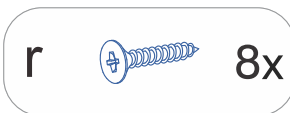
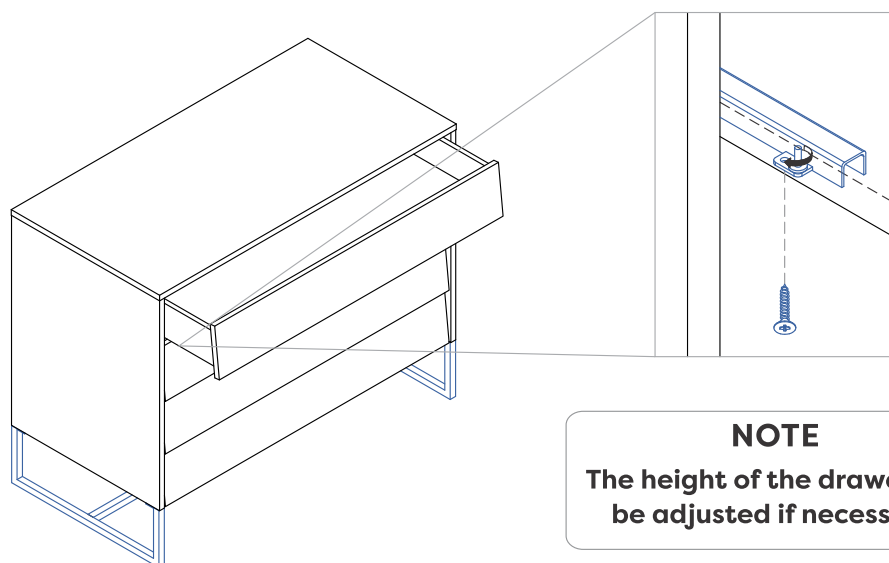
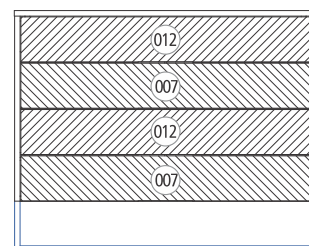
e  16x





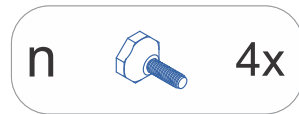
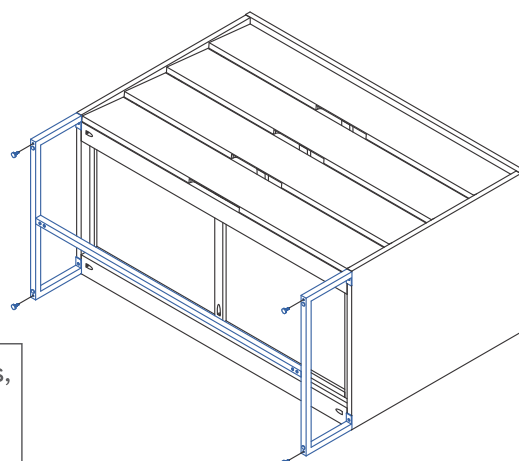


OR



NOTE
The height of the drawer can be adjusted if necessary.

Optional Step



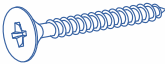

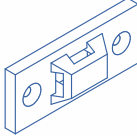

The hardware 'n' are levelers, attach it to your dresser when necessary.

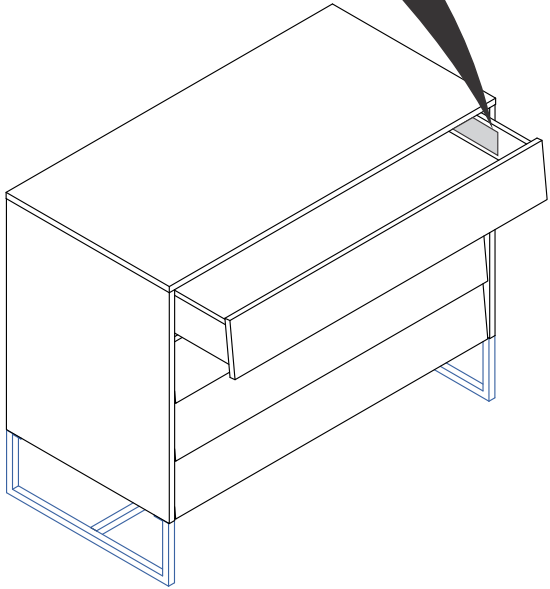
Safety Bracket Instructions

IMPORTANT: Tipping can injure young children. Use of this safety hardware is highly recommended. This safety hardware, when properly installed, can provide furniture protection against unexpected accidental tipping of furniture due to improper use.


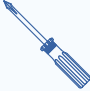

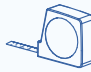
⚠ WARNING	
	<p>Children have died from furniture tipover. To reduce the risk of furniture tipover:</p> <ul style="list-style-type: none"> • ALWAYS install tipover restraint provided. • NEVER put a TV on this product. • NEVER allow children to stand, climb or hang on drawers, doors, or shelves. • NEVER open more than one drawer at a time. • Place heaviest items in the lowest drawers. <p><i>This is a permanent label. Do not remove!</i></p>
	

Hardware Set

a		4 pcs
	3.5 x 30 mm	
b		4 pcs
	4.5 x 45 mm	
c		4 pcs
d		2 pcs

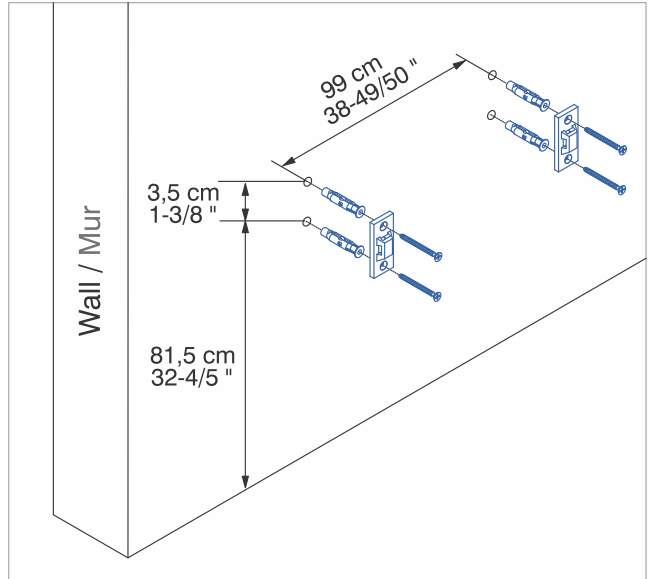
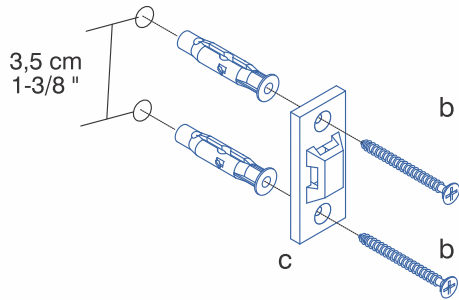


Have the following tools:

			
Rubber hammer	Phillips screwdriver	Drill with 6 mm drill bit	Measuring tape

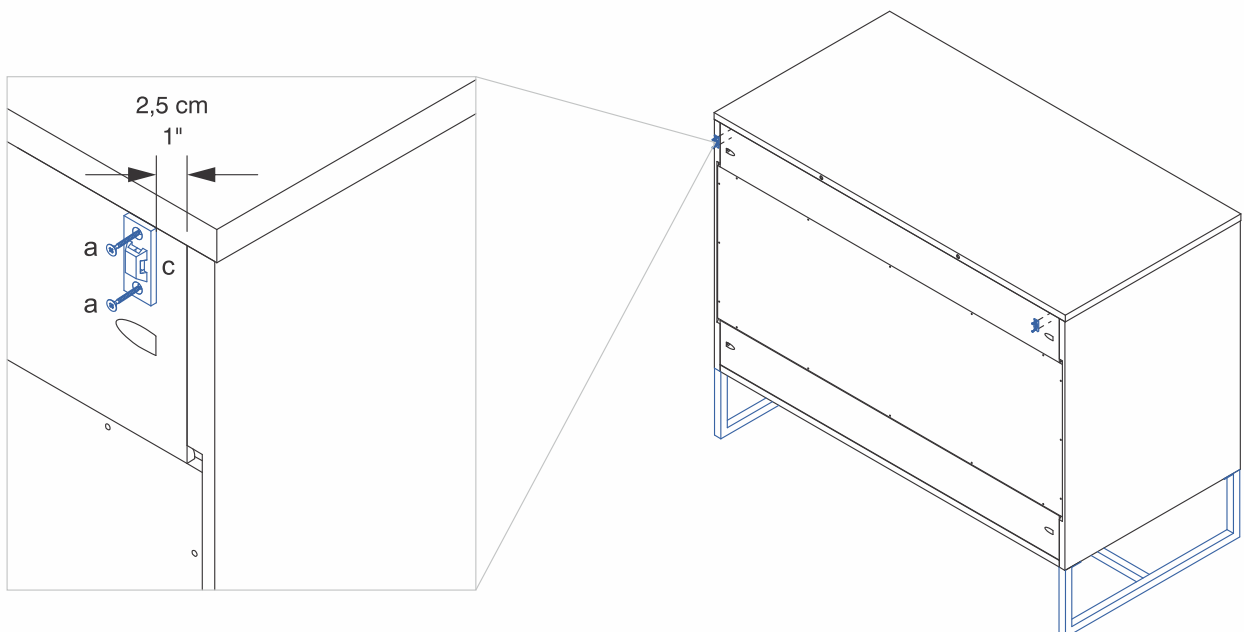
1

Attach a bracket to the wall board. Mark the position for the bracket placement on the wall.



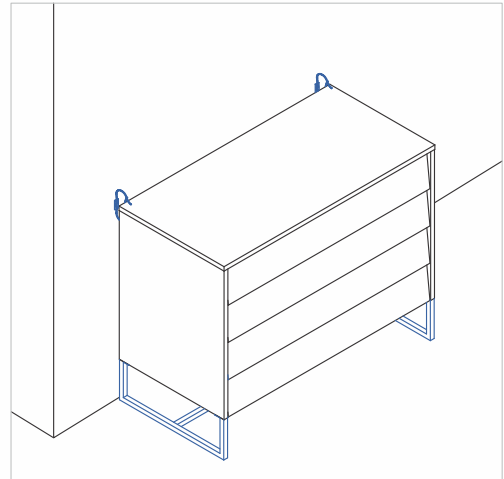
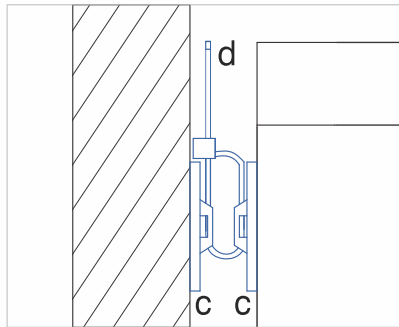
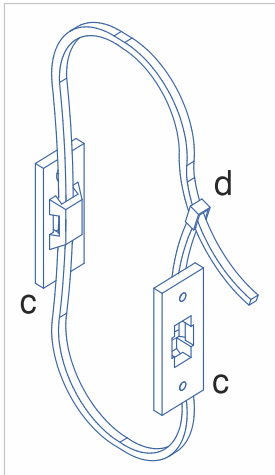
2

Attach a bracket to the furniture frame. Mark the location of bracket on the back of furniture.

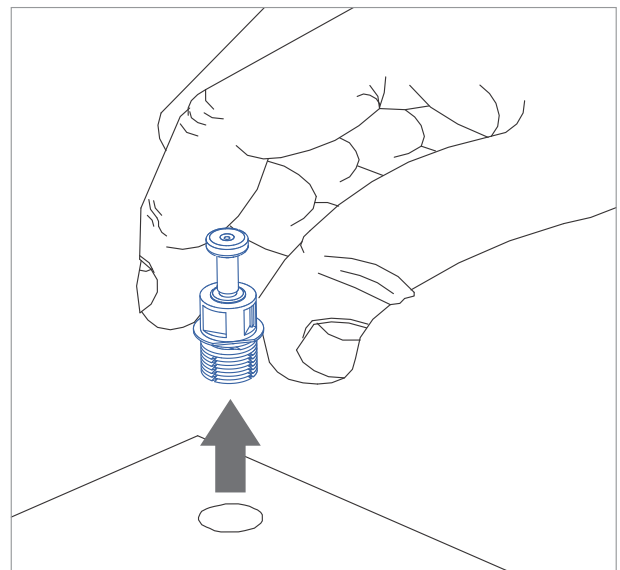
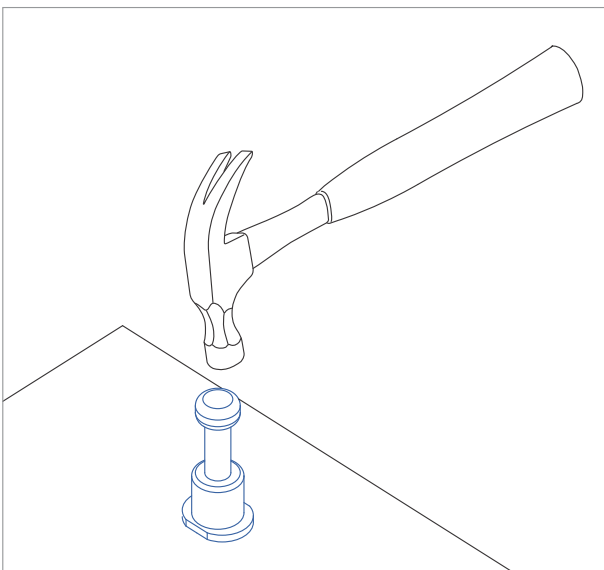


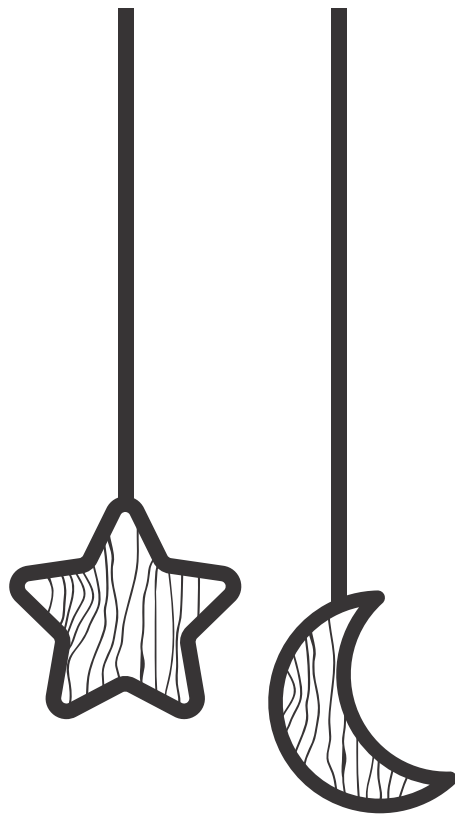
3

Attach the safety strap. Thread the safety strap through both of the mounted brackets as shown in the illustration.



Removing cam bolt





www.simplynursery.com
contact@simplynursery.com