



NOAH

conversion kit

ASSEMBLY INSTRUCTIONS



assembling
2 people



time
approximately 1 hour



tools
philips screwdriver, rubber hammer

www.simplynursery.com

Manufacturer Móveis Caftor Ltda. Rio Negrinho/SC - Brazil - 89295-000.

Distributed in the USA by: SIMPLY NURSERY, LLC. Orlando/Florida - 32819 - United States - 1-888-343-0730

WARNING

STRANGULATION HAZARD:

Failure to follow these warnings and the assembly instructions could result in serious injury or death from entrapment or strangulation.

Openings in and between bed parts can entrap head and neck of a small child. NEVER use bed with children younger than 15 months. ALWAYS follow assembly instructions. NEVER place bed near windows where cords from blinds or drapes may strangle a child. NEVER suspend strings over bed. NEVER place items with a string, cord, or ribbon, such as hood strings or pacifier cords, around a child's neck. These items may catch on bed parts.

TO AVOID DANGEROUS GAPS, ANY MATTRESS USED IN THIS BED SHALL BE A FULL-SIZE CRIB MATTRESS AT LEAST 51 5/8 IN (131 CM) IN LENGTH BY 27 1/4 IN (69 CM) IN WIDTH, AND A MAXIMUM THICKNESS OF 6 IN (15 CM).

THE INTENDED USER'S MINIMUM AGE MUST BE AT LEAST 15 MONTHS OLD AND MAXIMUM WEIGHT MUST NOT EXCEED 50 LBS (22,7 KG).

- Read all instructions before using the product. Keep the instructions for future use.
- Failure to follow these warnings and assembly instructions could result in serious injury and/or death.
- As with all infant and baby furniture, it is important to check fasteners, screws, and bolts periodically for tightness. Parents should ensure a safe environment for their child by checking the furniture regularly before placing the child in the product.

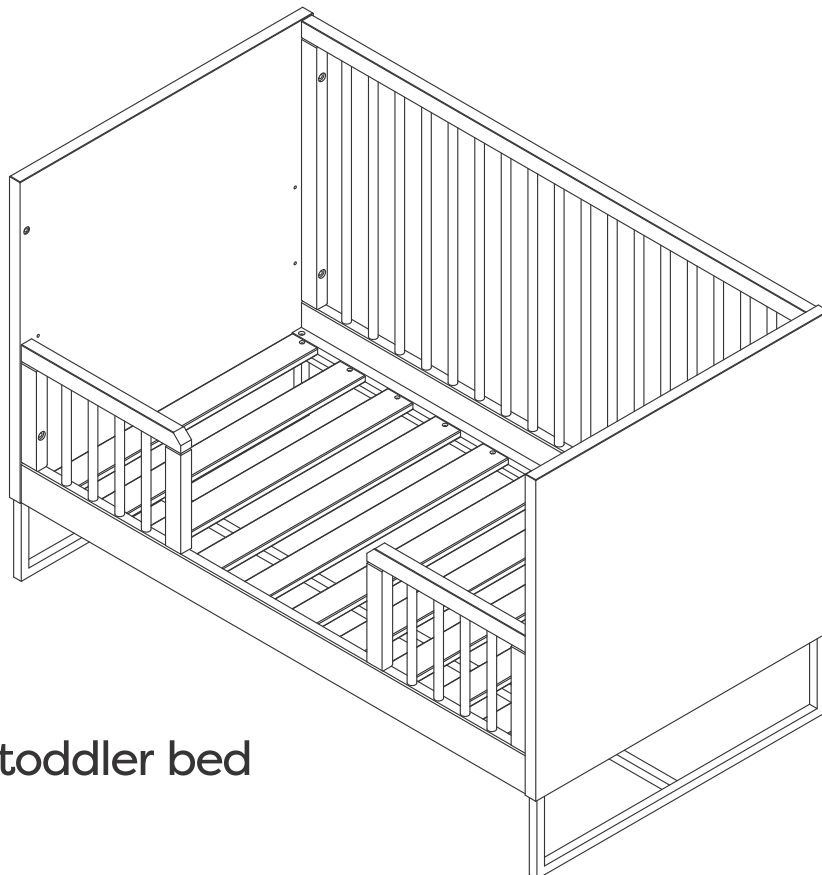
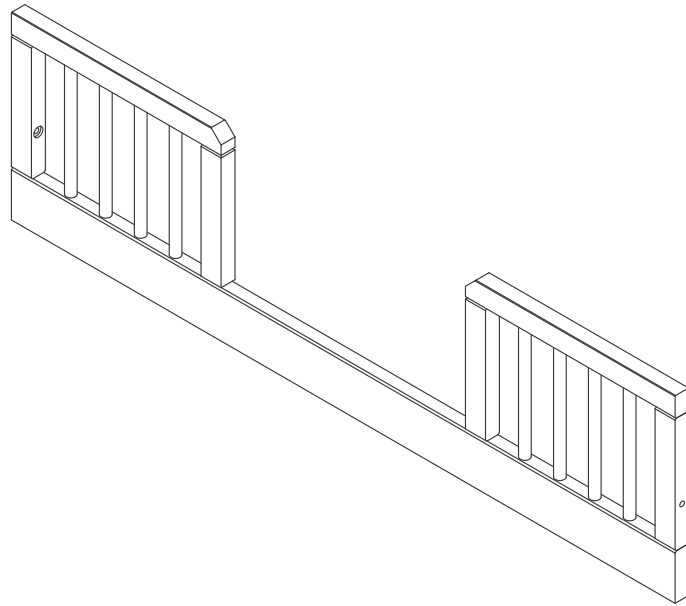
Care and Cleaning

To remove accumulated dust of your wood product use a soft, lint-free cloth. For a deeper cleaning use a soft, lint-free cloth which has been dampened on a solution of neutral detergent and warm water. Do not use oily products, abrasives, ammonia or other aggressive products of cleaning.

How to prevent your wood furniture from warping, cracking or drying out:

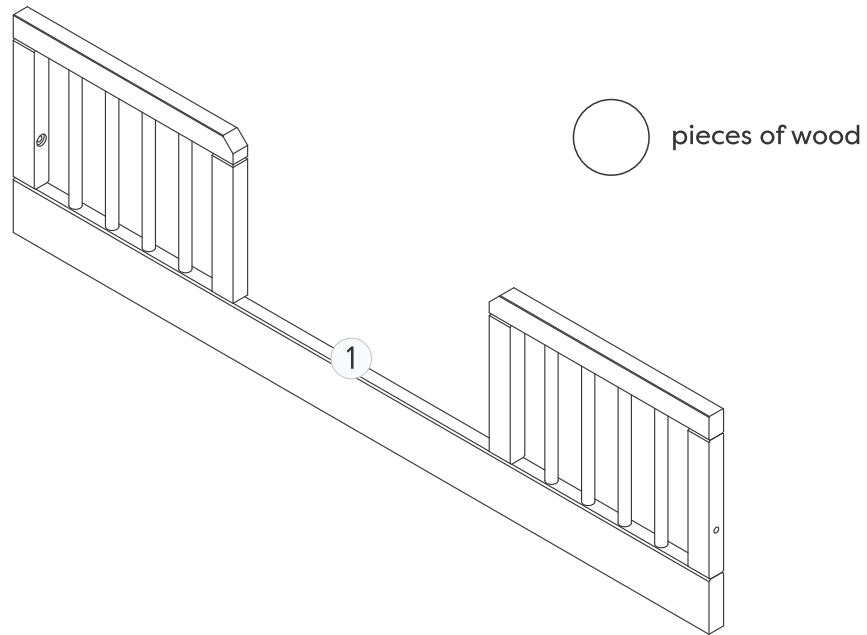
- Keep moderate temperatures (70°F - 72°F) and humidity around 50% - 55% in your home set.
- Ensure your humidifier is working properly.
- Avoid recurrent and/or sudden variation in humidity.
- Place your wood furniture away from heat sources, for example, but not limited to fireplaces or radiators.
- Keep your furniture away from direct sunlight.
- Use a dehumidifier during rainy seasons to remove excess moisture from the air.

NOAH CONVERSION KIT



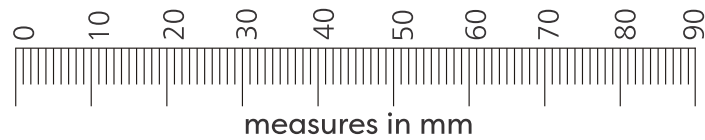
toddler bed

Material



Hardware Set

Use the ruler below to measure the hardware:



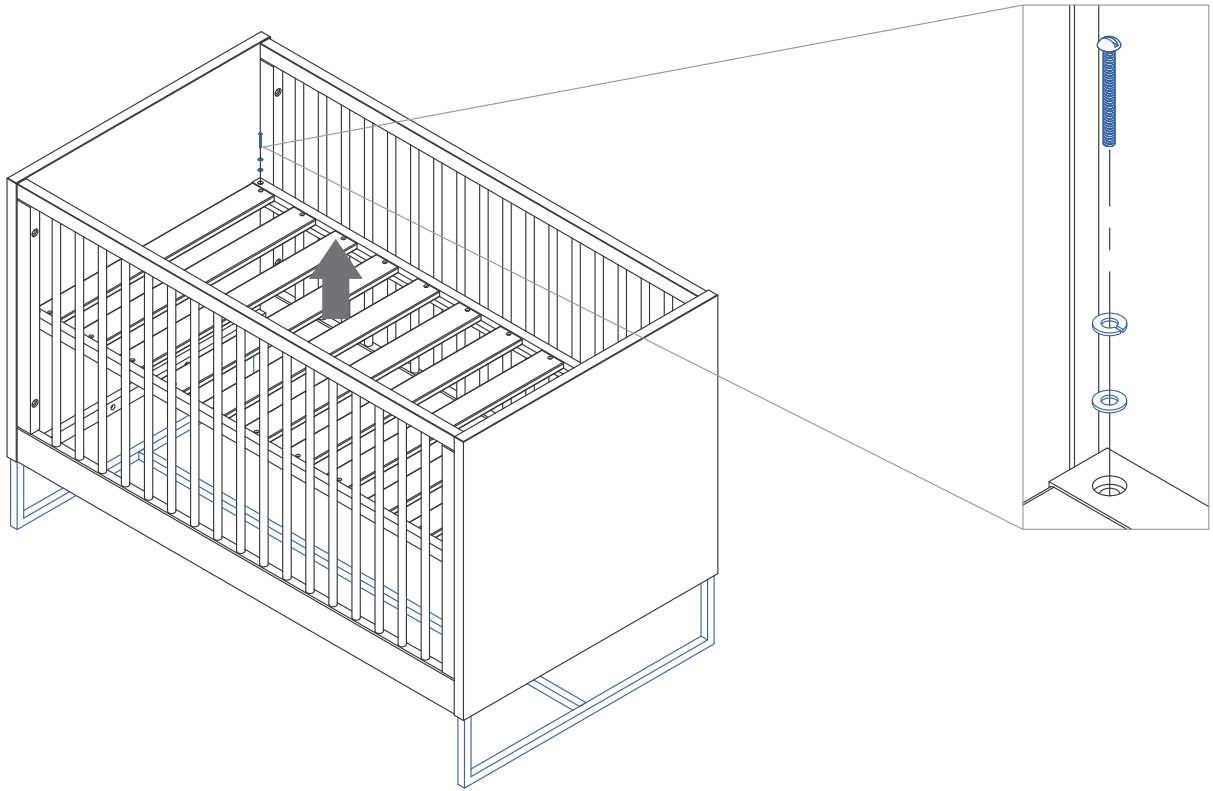
a	 4 mm	1 pc
b	 4 mm	1 pc

1

2

3

4

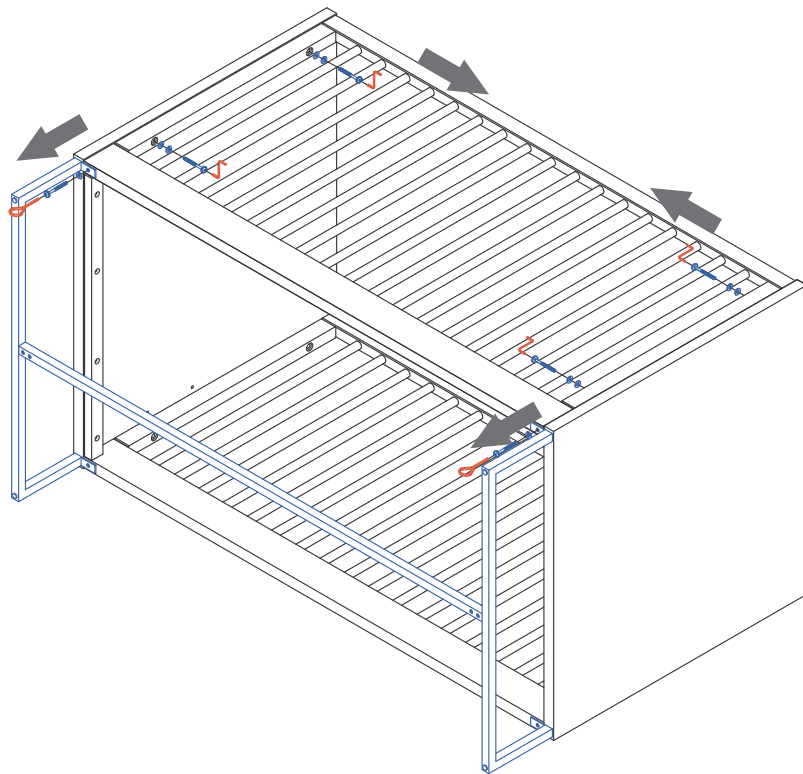
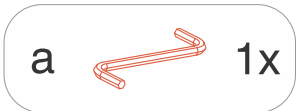


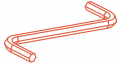

1

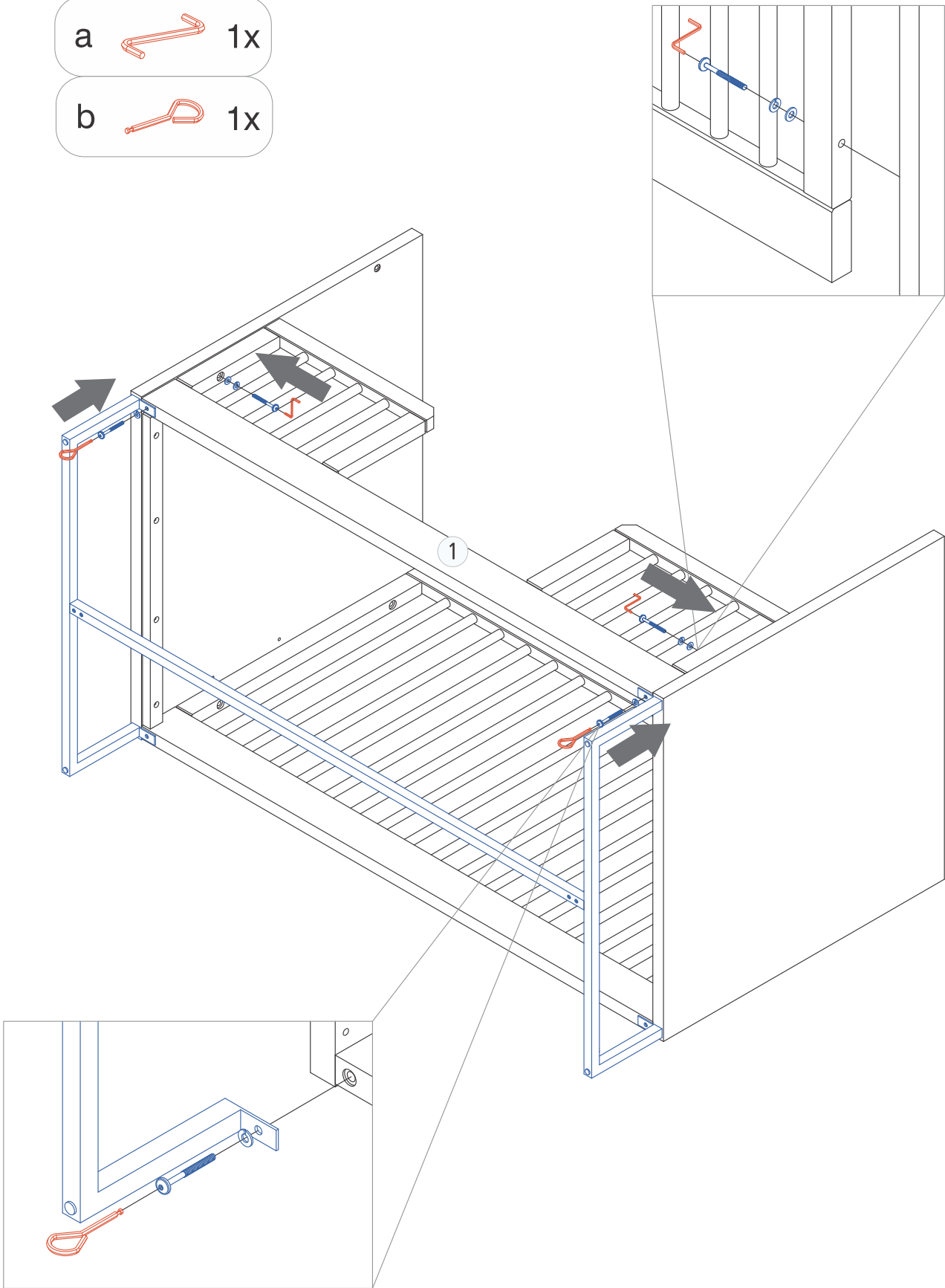
2

3

4



- a  1x
- b  1x

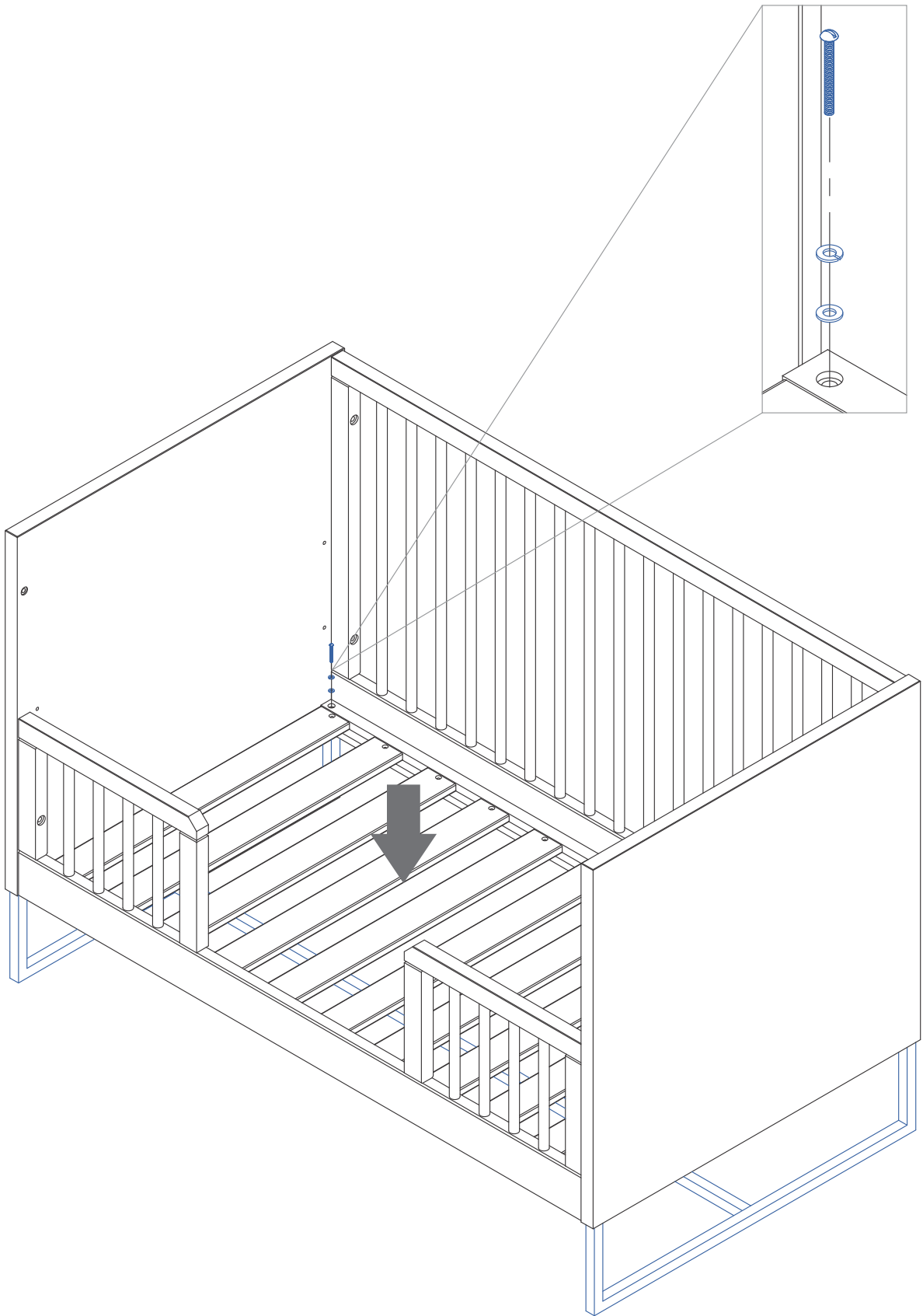


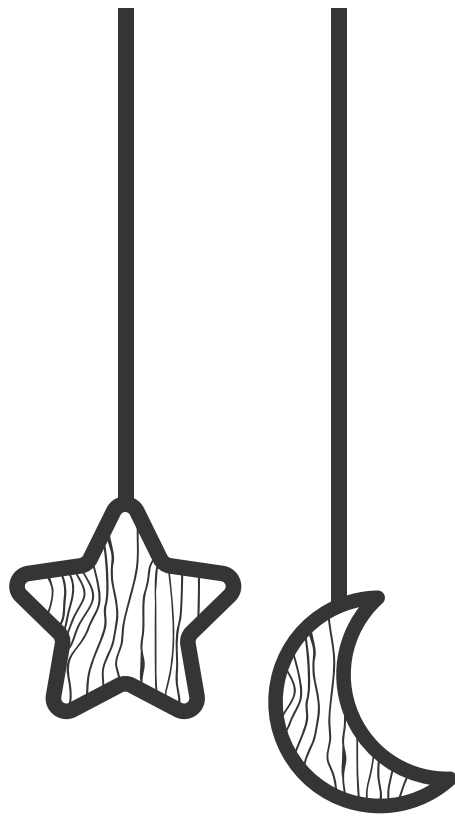
1

2

3

4





www.simplynursery.com
contact@simplynursery.com