



NOAH

changing tray

ASSEMBLY INSTRUCTIONS



assembling
1 person



time
approximately 40 minutes



tools
philips screwdriver, rubber hammer

www.simplynursery.com

Manufacturer Móveis Caftor Ltda. Rio Negrinho/SC - Brazil - 89295-000.

Distributed in the USA by: SIMPLY NURSERY, LLC. Orlando/Florida - 32819 - United States - 1-888-343-0730

WARNING

FALL HAZARD: Children have suffered serious injuries after falling from changing tables. Falls can happen quickly.

- **STAY** in arm's reach. To prevent death or serious injury, always keep child within arm's reach.
 - **ALWAYS** secure this unit to the support surface by Noah 4 Drawers Dresser (purchased separately, model: 1191.10.2.550) with the hardware provided. See instructions.
 - Read all instructions before use of this product.
 - Keep instructions for future use.
 - Do not use this product if it is damaged or broken.
 - The baby's maximum weight for use of this product is 30 lbs (13,6 kg).
-
- This product is not intended to be used as a changing table without adult supervision. Use of the product without this may result in death or serious injury to your child from falling. Follow all instructions on attaching and using the changing table.
 - Failure to follow these warnings and assembly instructions could result in serious injury and/or death.
 - Stop using this changing tray when the child is able to sit up or roll over.
 - As with all infant and baby furniture, it is important to check fasteners, screws, and bolts periodically for tightness. Parents should ensure a safe environment for their child by checking the furniture regularly before placing the child in the product.

Care and Cleaning

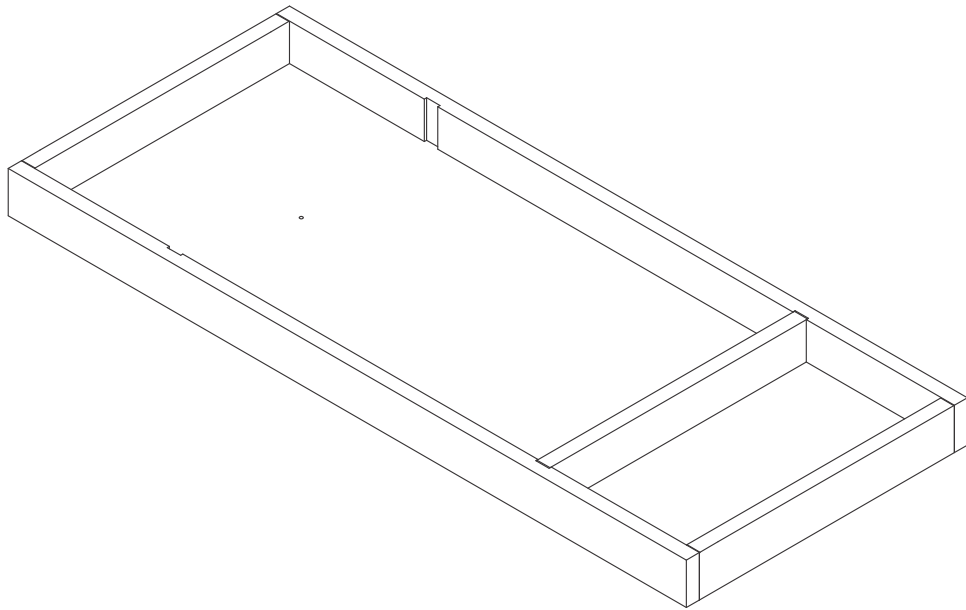
To remove accumulated dust of your wood product use a soft, lint-free cloth. For a deeper cleaning use a soft, lint-free cloth which has been dampened on a solution of neutral detergent and warm water. Do not use oily products, abrasives, amonia or other aggressive products of cleaning.

How to prevent your wood furniture from warping, cracking or drying out:

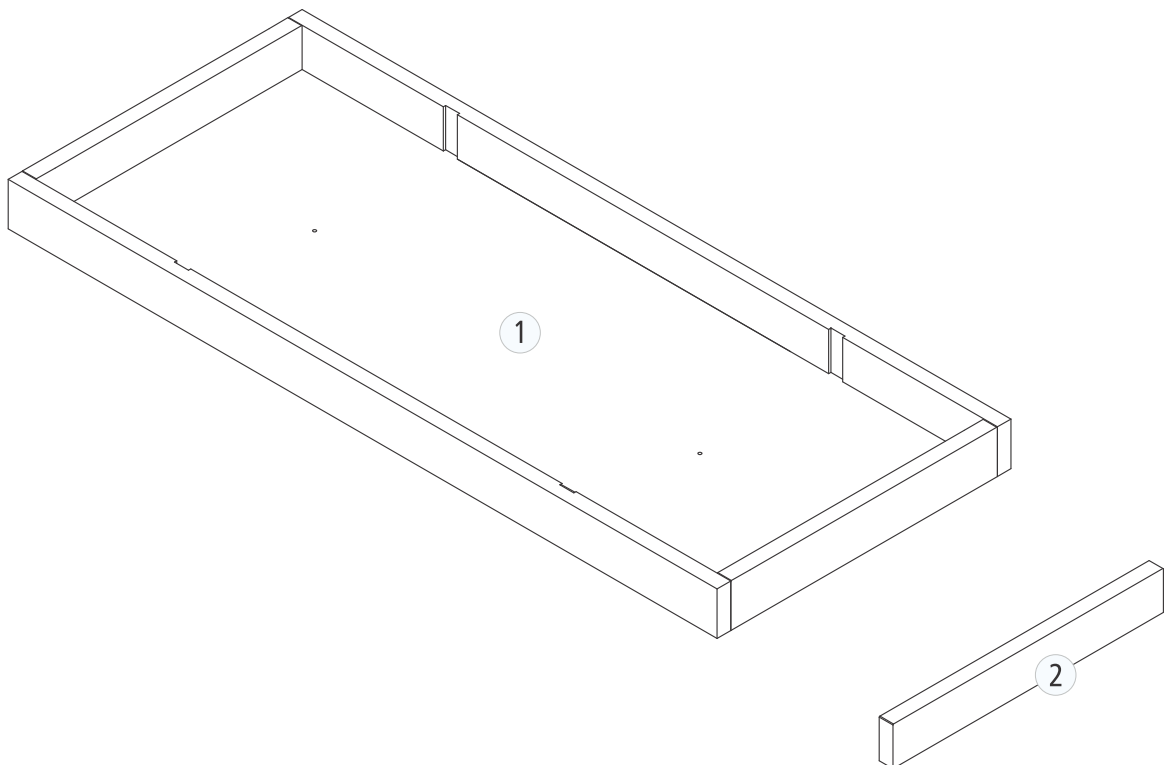
- Keep moderate temperatures (70°F - 72°F) and humidity around 50% - 55% in your home set.
- Ensure your humidifier is working properly.
- Avoid recurrent and/or sudden variation in humidity.
- Place your wood furniture away from heat sources, for example, but not limited to fireplaces or radiators.
- Keep your furniture away from direct sunlight.
- Use a dehumidifier during rainy seasons to remove excess moisture from the air.

NOAH

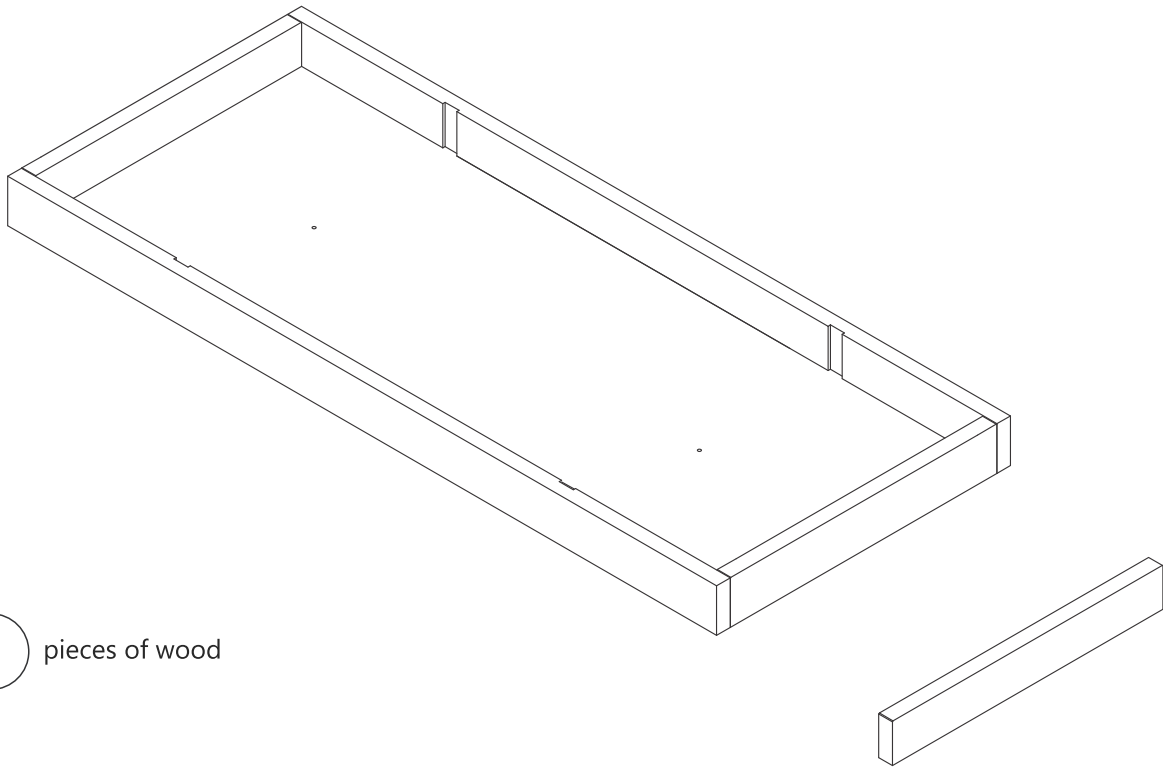
CHANGING TRAY



Parts



Material

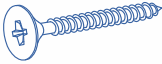





○ pieces of wood

Hardware Set

Use the ruler below to measure the hardware:



a	 Ø 3,5 x 25 mm	01 pc
b	 Ø 4 x 12 mm	04 pcs
c		02 pcs
d	 Ø 8 mm	04 pcs

1

2

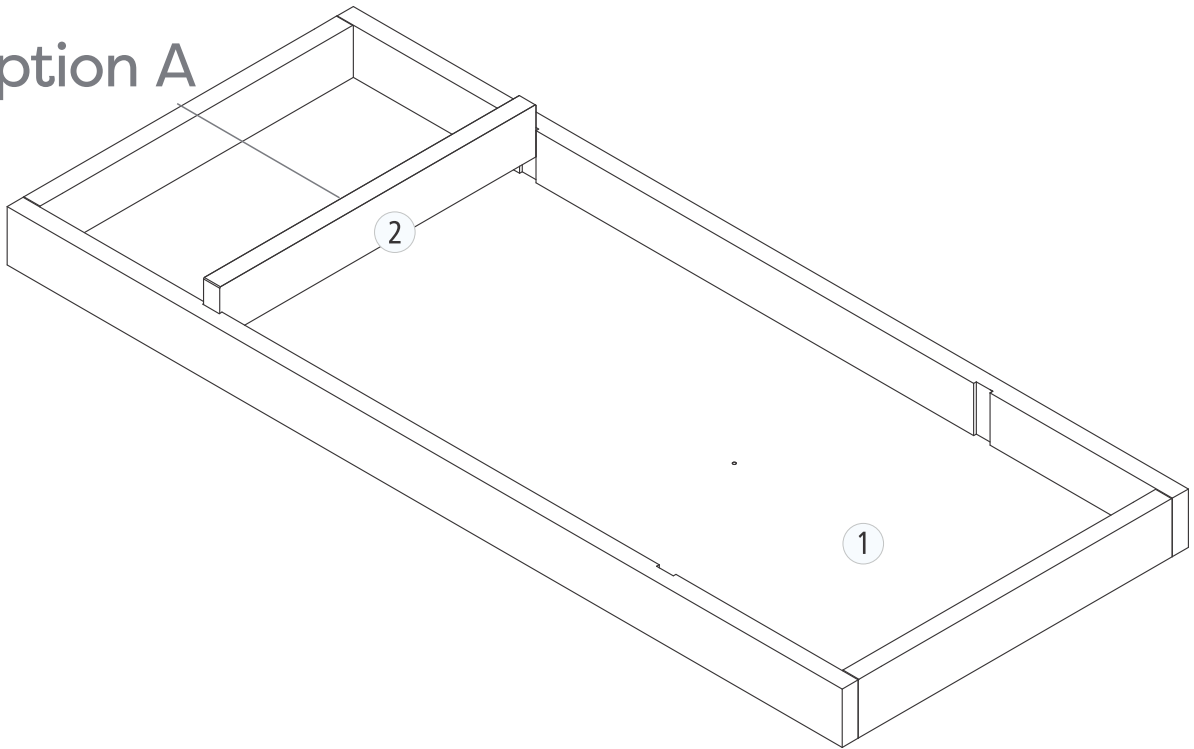
3

4

5

6

Option A



1

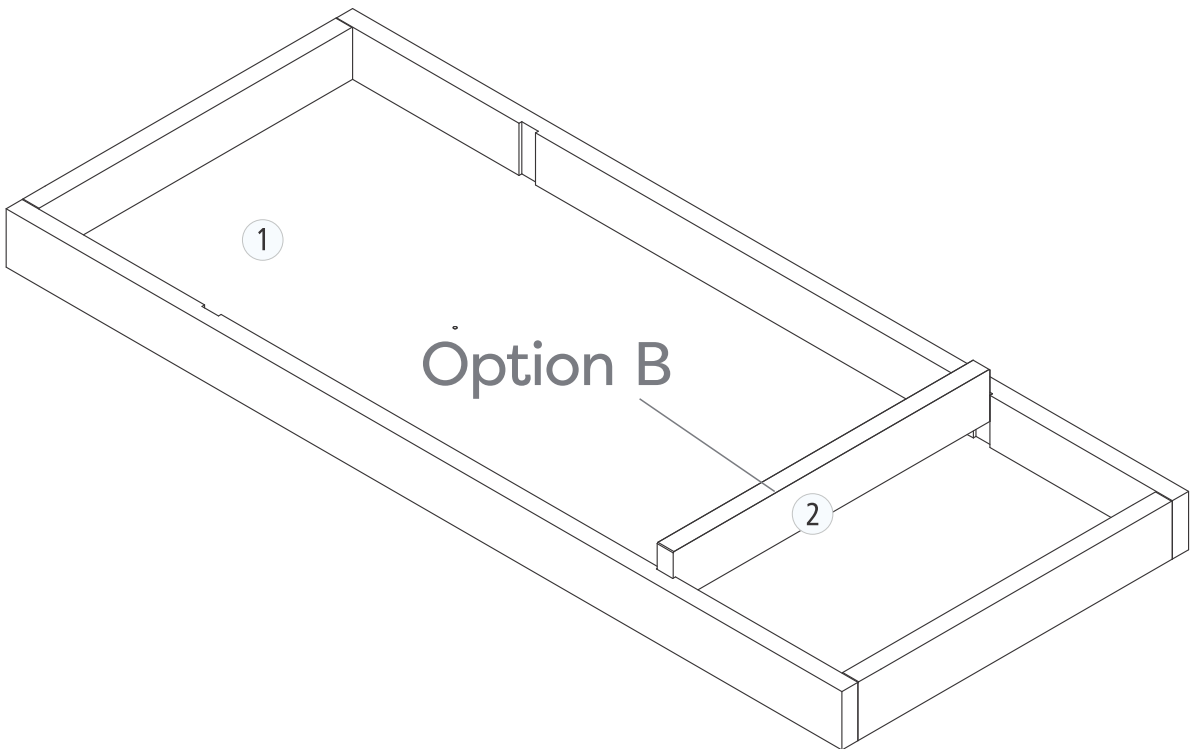
2

3

4

5

6



1

2

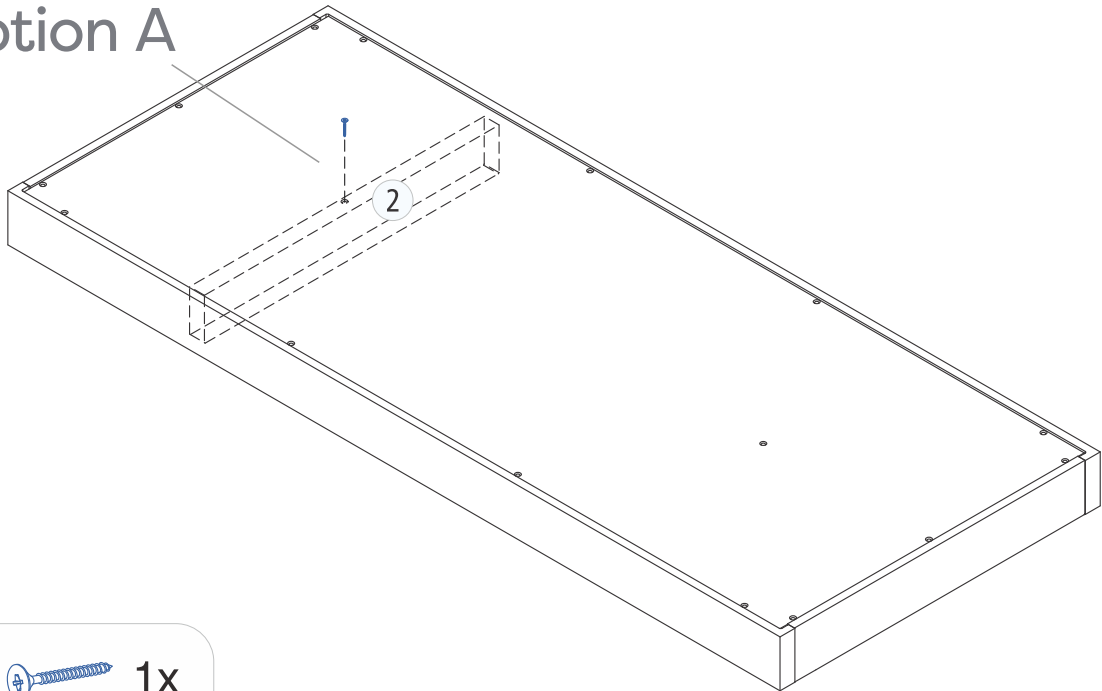
3

4

5

6

Option A



a  1x

1

2

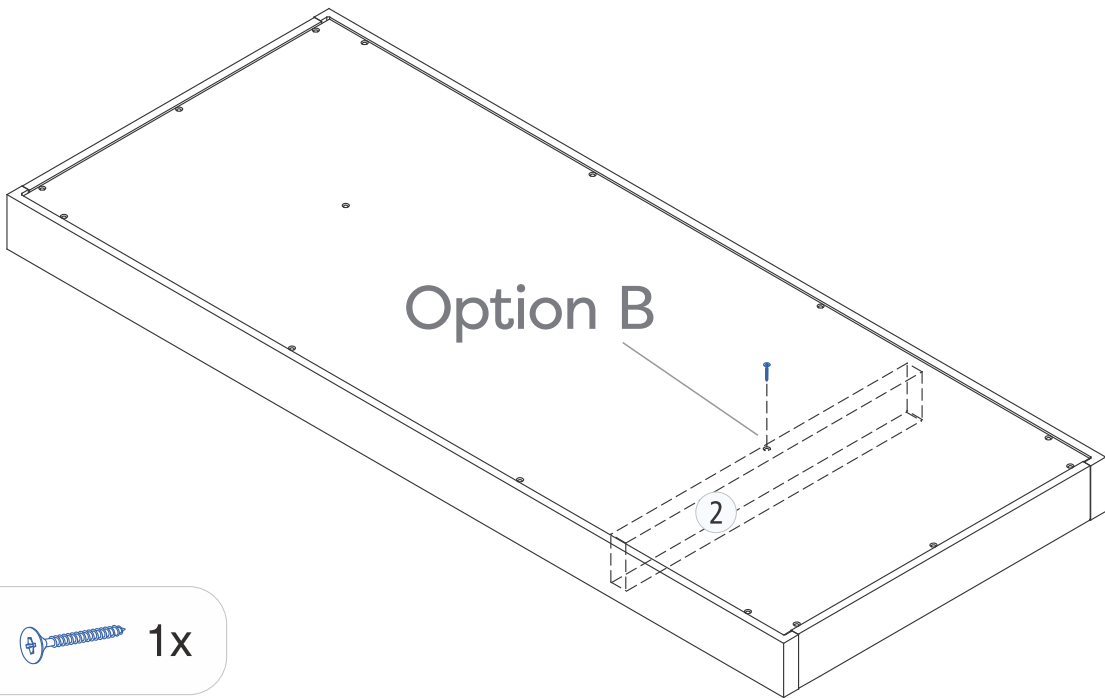
3

4

5

6

Option B



a  1x

1

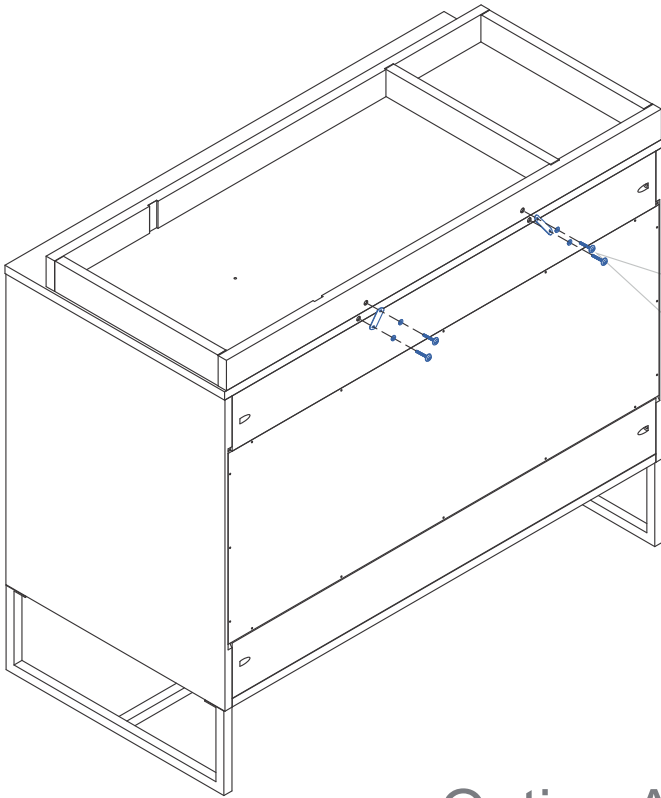
2

3

4

5

6

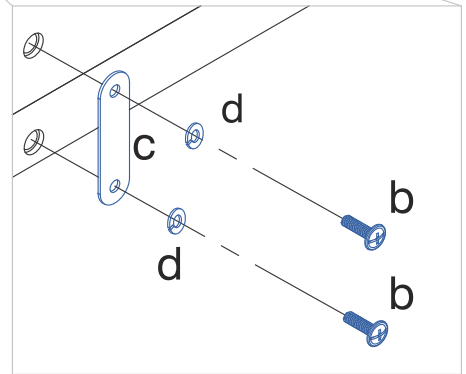


b  4x

c  2x

d  4x

Option A



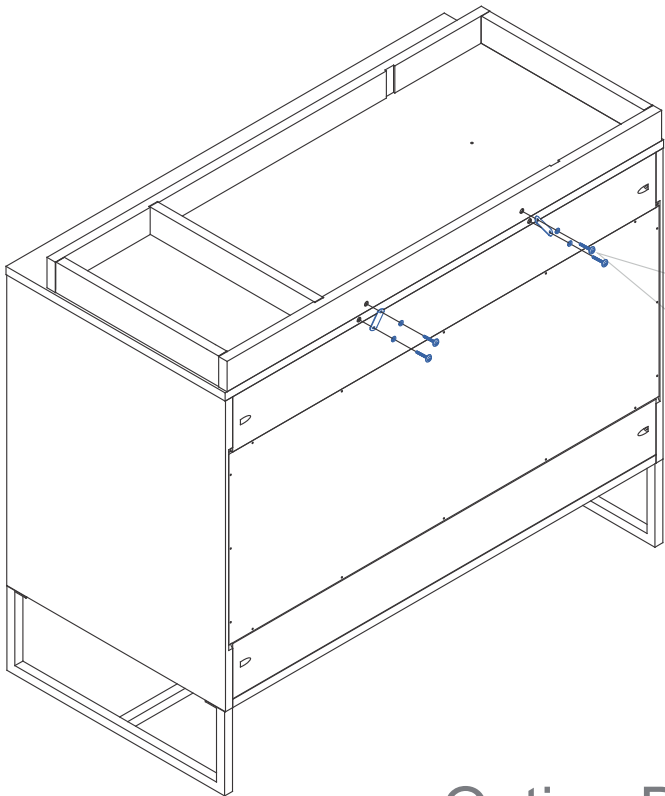
1

2

3

4

6

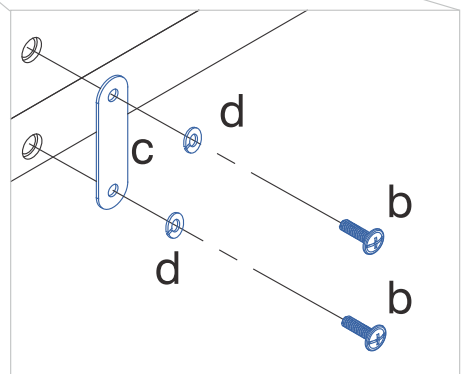


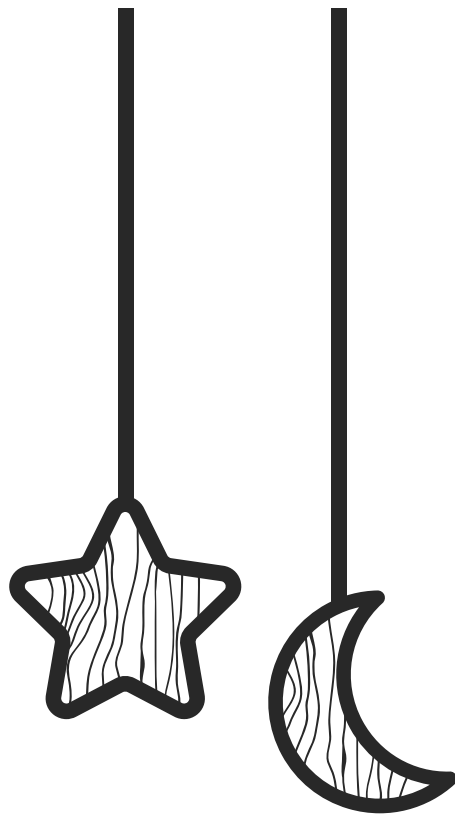
b  4x

c  2x

d  4x

Option B





www.simplynursery.com
contact@simplynursery.com