



**Simply Kids  
Room**

# CALI TWIN BED

## ASSEMBLY INSTRUCTIONS



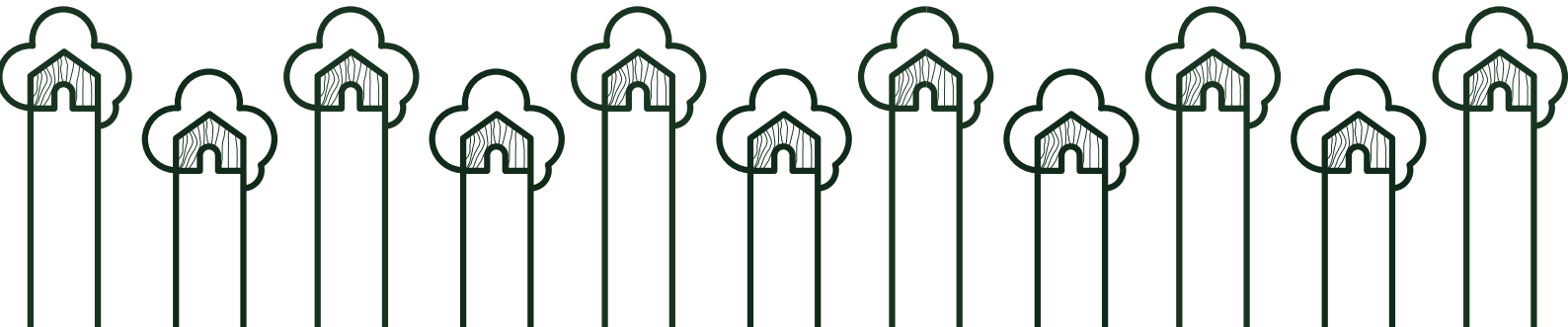
assembling  
2 people



time  
approximately 60 minutes



tools  
screwdriver, hammer, phillips



[www.simplykidsroom.com](http://www.simplykidsroom.com)

Manufacturer: Móveis Caftor LTDA - Rio Negrinho / SC - Brazil - 89295-000

Distributed in the USA by: Simply Kids Room, LLC - Orlando / FL - United States - 32819

Email: [contact@simplykidsroom.com](mailto:contact@simplykidsroom.com) / Phone: 1-888-343-0730

# WARNING

## **CHOKING HAZARD**

Small parts, not for children. To be assembled by an adult.

## **ATTENTION**

Before starting assembly please verify the hardware set is complete.

## **Size of Mattress**

This full bed is designed to use mattresses of 75" long and 38" wide.

## **Replacement Parts**

Replacement parts, missing hardware, including additional guardrails, may be obtained from Simply Kids Room, LLC. Please contact us at [contact@simplykidsroom.com](mailto:contact@simplykidsroom.com).

## **Safety Warnings**

### **STRANGULATION HAZARD:**

**Failure to follow these warnings and the assembly instructions could result in serious injury or death from entrapment or strangulation.**

Openings in and between bed parts can entrap head and neck of a small child. NEVER use bed with children younger than 3 years. ALWAYS follow assembly instructions. NEVER place bed near windows where cords from blinds or drapes may stangle a child.

Read all instructions before using the product. Keep the instructions for future use.

Failure to follow these warnings and assembly instructions could result in serious injury and/or death

As with all infant and baby furniture, it is important to check fasteners, screws, and bolts periodically for tightness. Parents should ensure a safe environment for their child by checking the furniture regularly before placing the child in the product.

This product is designed for home use and not intended for commercial use.

This product contains small components. Please ensure that they are kept away from small children.

Never push, pull, or drag your furniture.

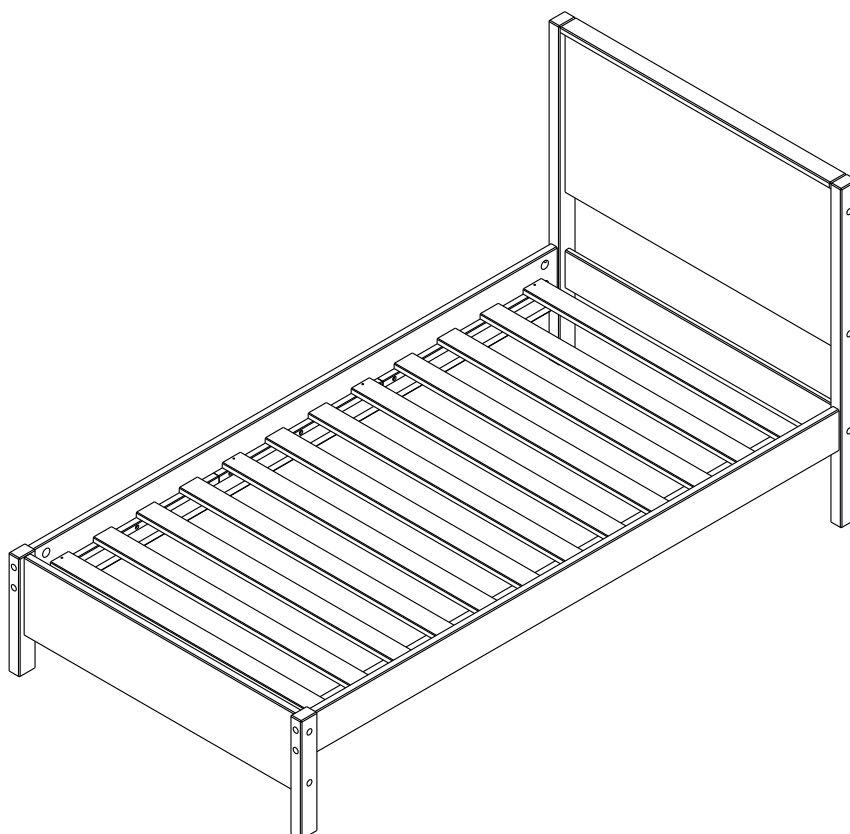
## **Care and Cleaning**

To remove accumulated dust of your wood product use a soft, lint-free cloth. For a deeper cleaning use a soft, lint-free cloth which has been dampened on a solution of neutral detergent and warm water. Do not use oily products, abrasives, amonia or other aggressive products of cleaning.

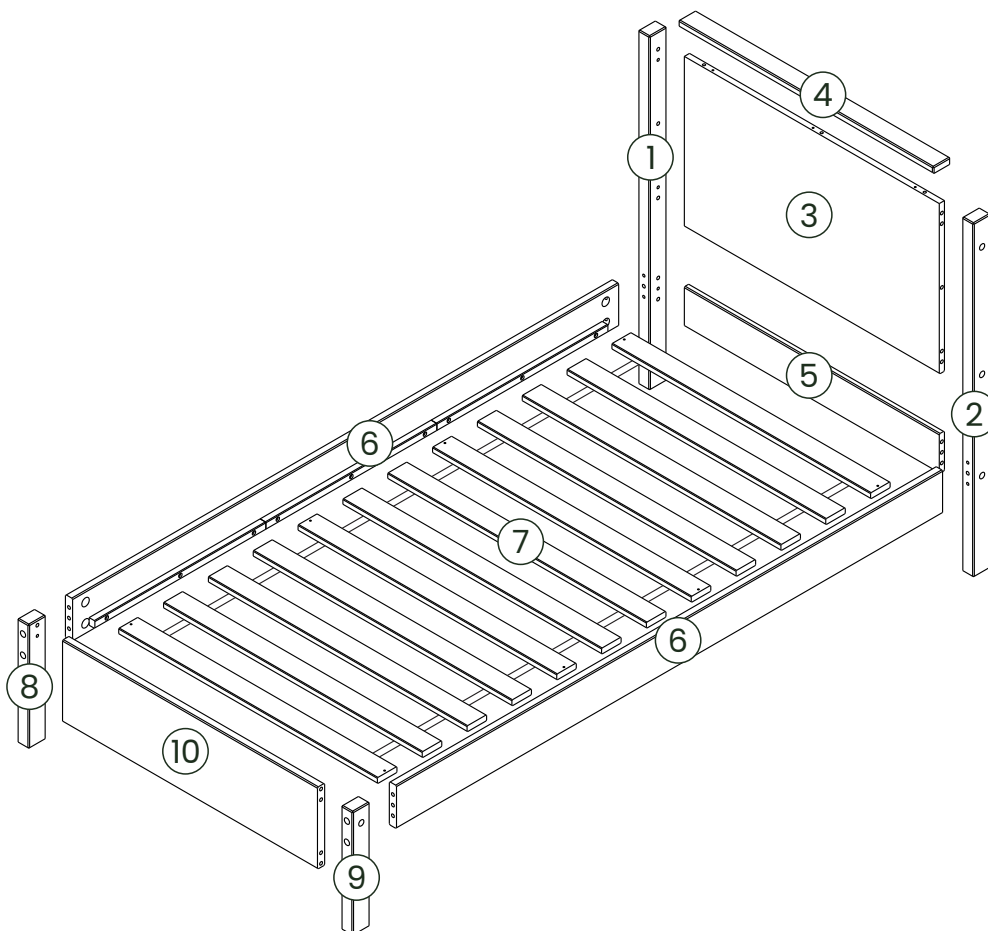
## **How to prevent your wood furniture from warping, cracking or drying out:**

- Keep moderate temperatures (70°F - 72°F) and humidity around 50% - 55% in your home set.
- Ensure your humidifier is working properly.
- Avoid recurrent and/or sudden variation in humidity.
- Place your wood furniture away from heat sources, for example, but not limited to fireplaces or radiators.
- Keep your furniture away from direct sunlight.
- Use a dehumidifier during rainy seasons to remove excess moisture from the air.

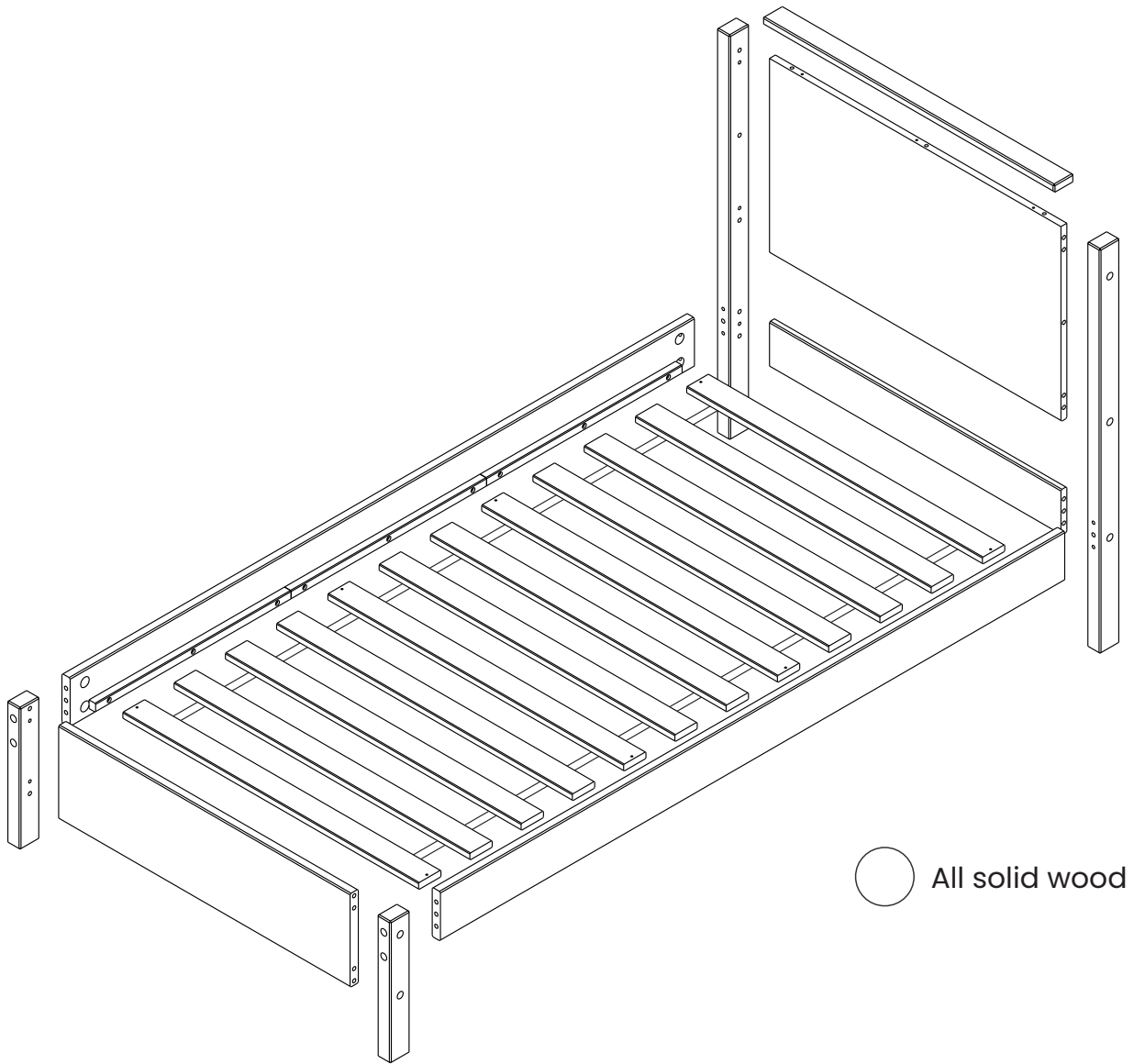
# CALI - TWIN BED



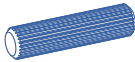

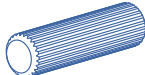
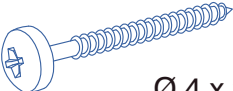
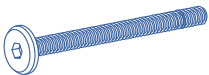
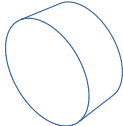

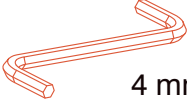
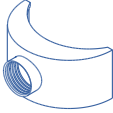
## PARTS



# MATERIAL



# HARDWARE

a	 Ø 10 x 50	18 pcs	f	 Ø 4 x 30	8 pcs
b	 Ø 8 x 30	3 pcs	g	 Ø 4 x 35	3 pcs
c	 1/4 x 100	8 pcs	h		19 pcs
d	 1/4 x 70	10 pcs	i	 4 mm	1 pcs
e		18 pcs			

1

2

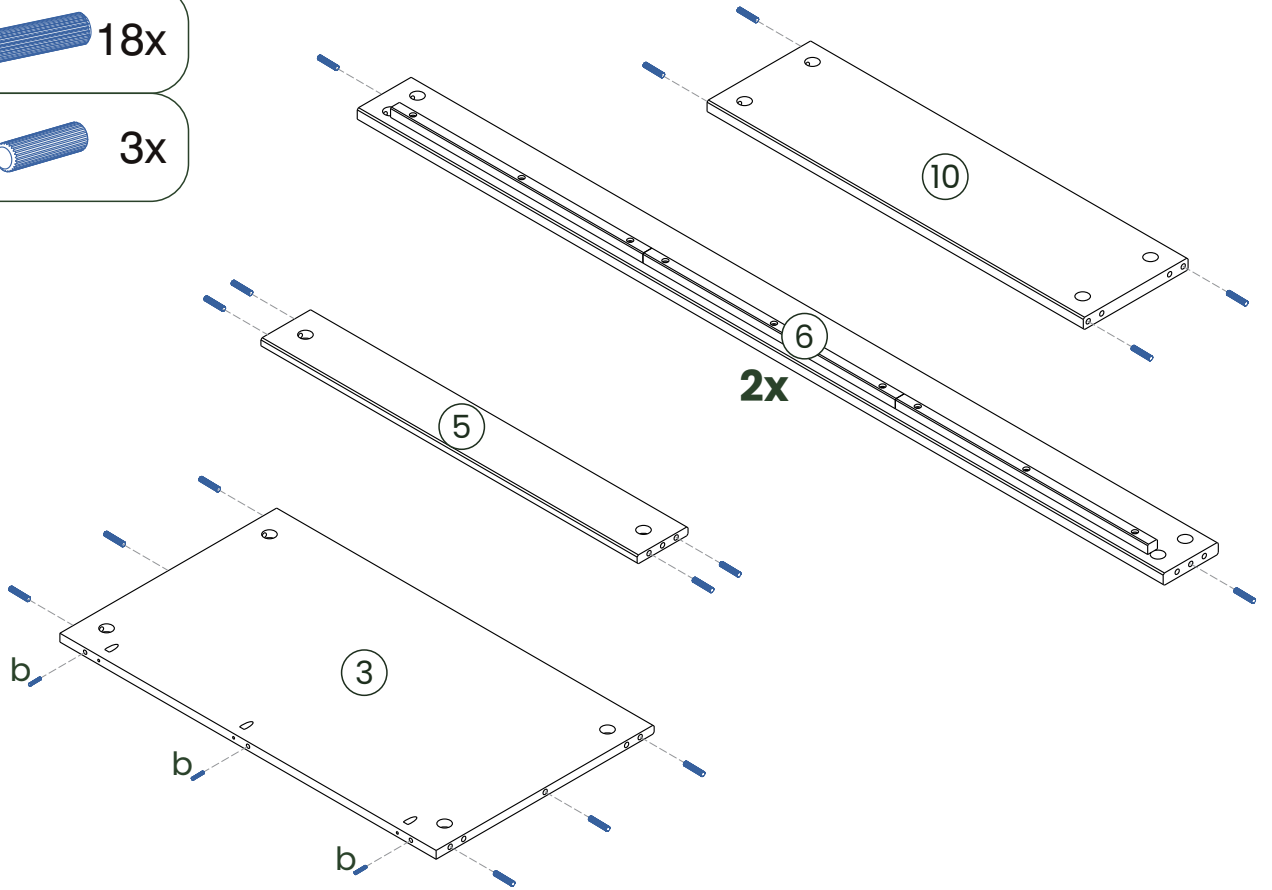
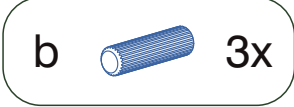
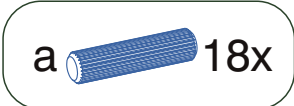
3

4

5

6

7



1

2

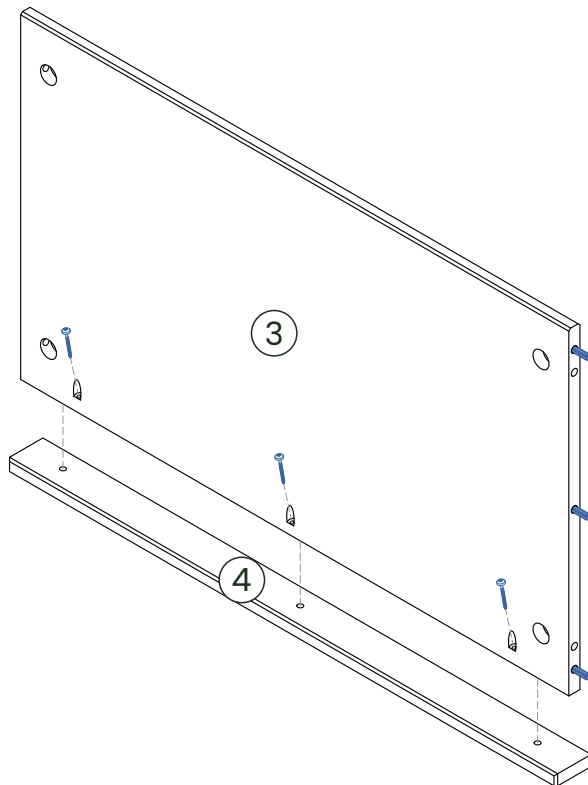
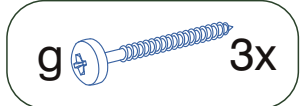
3

4

5

6

7



1

2


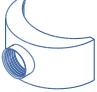

3

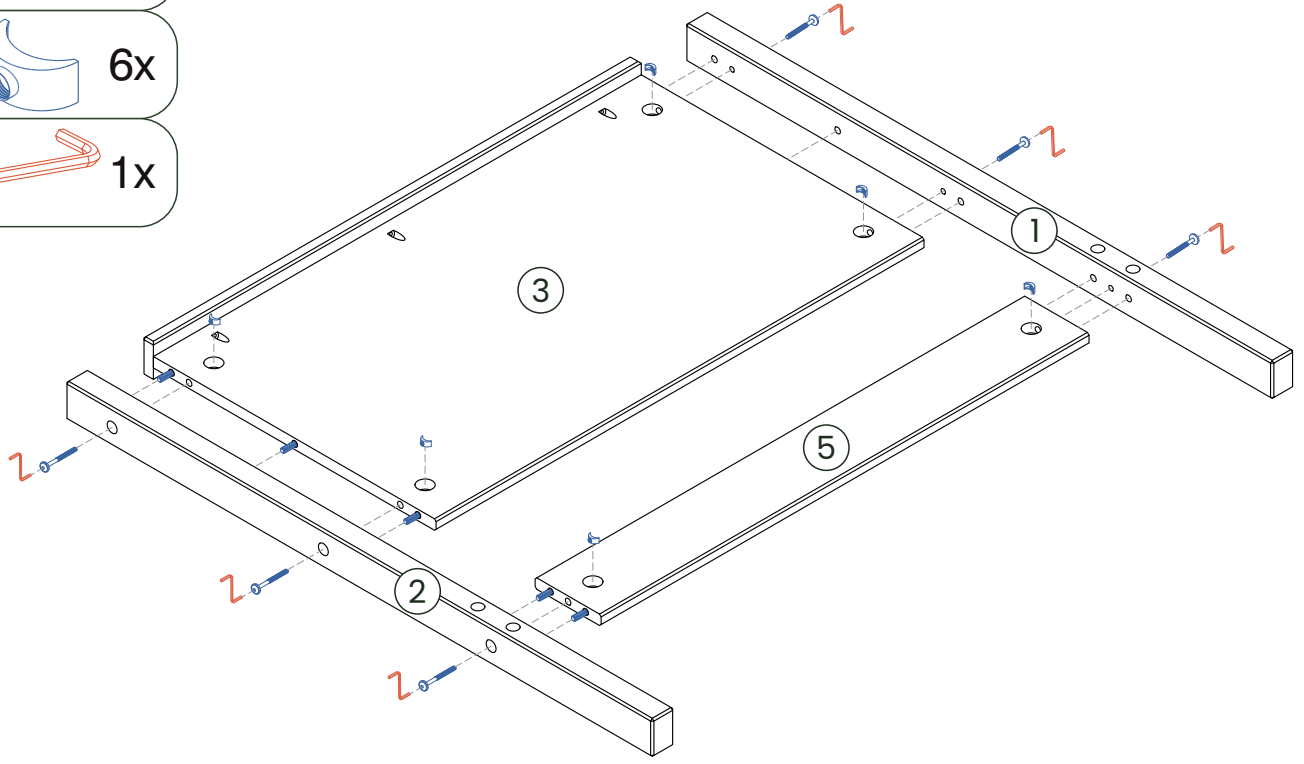
4

5

6

7

- d  6x
- e  6x
- i  1x



1

2


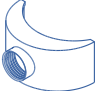

3

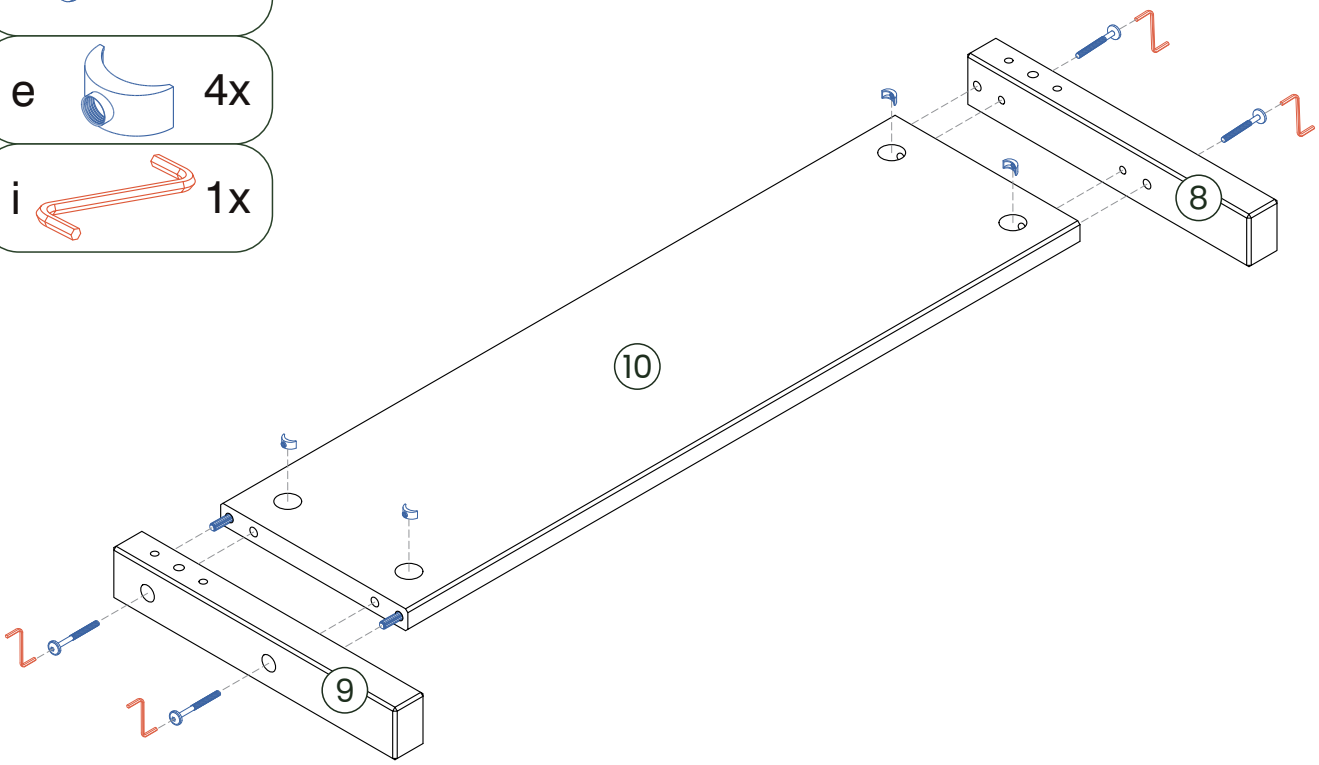
4

5

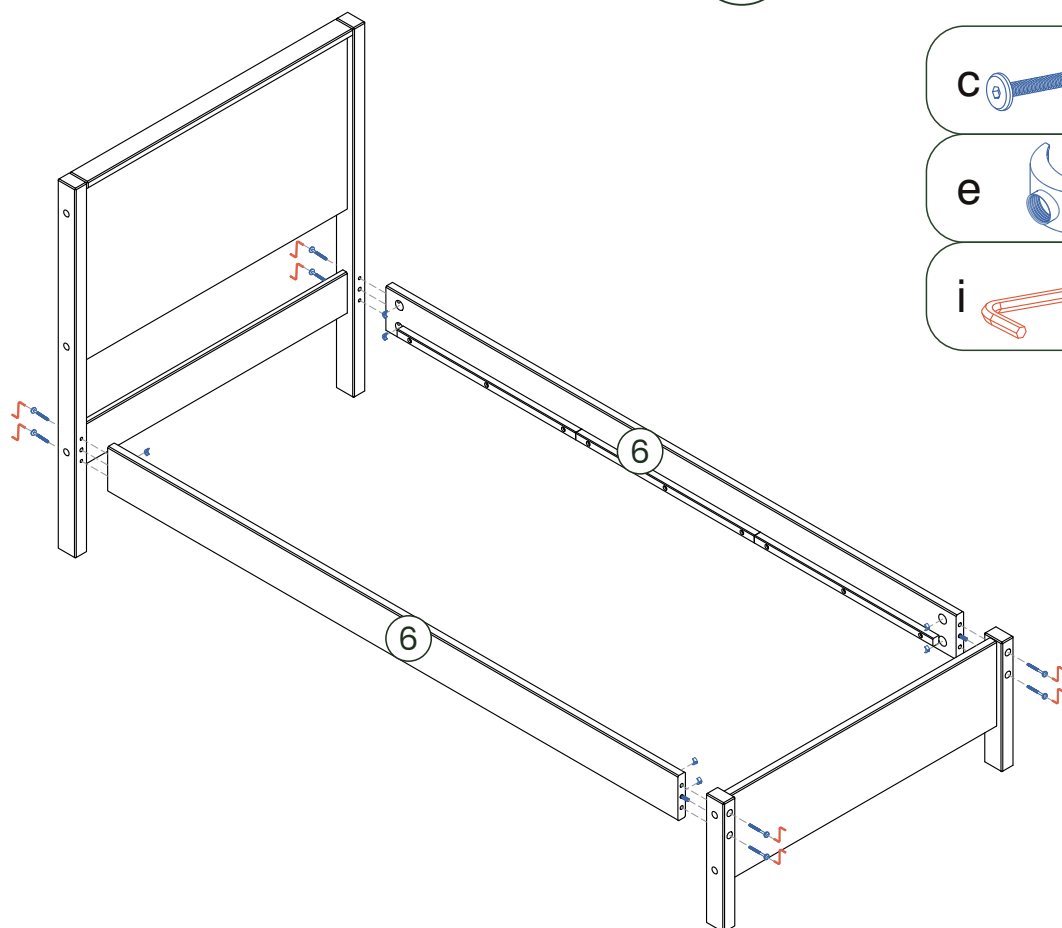
6

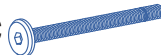

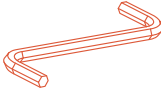
7

- d  4x
- e  4x
- i  1x

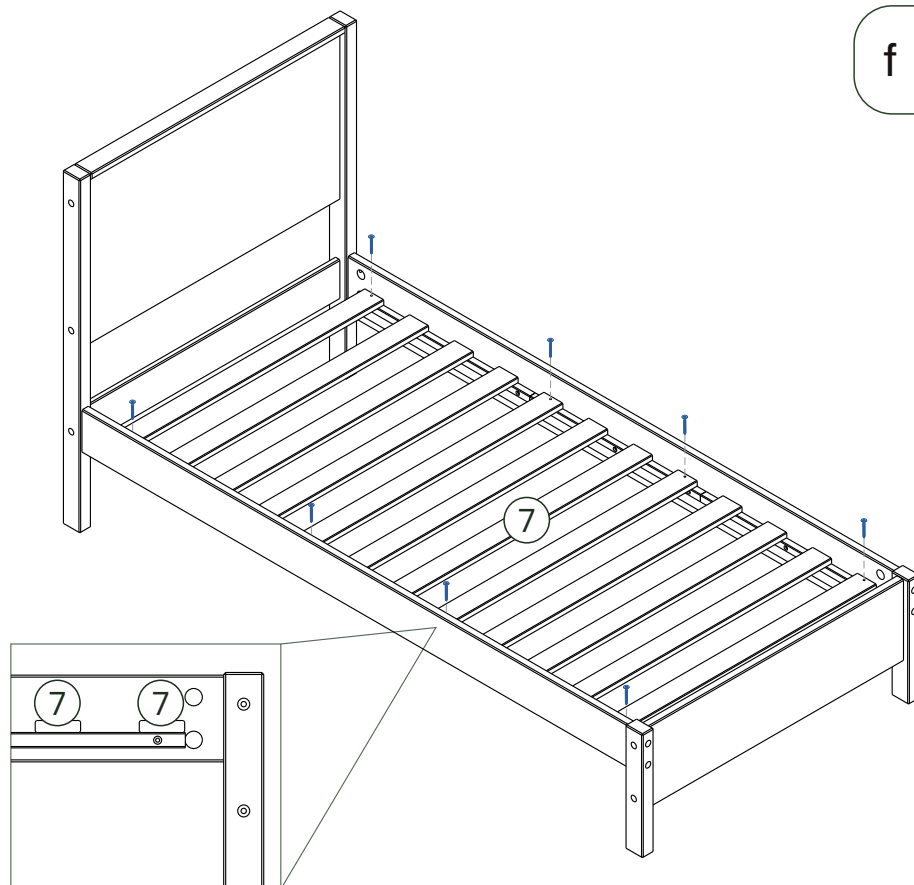



1 2 3 4 5 6 7



- c  8x
- e  8x
- i  1x

1 2 3 4 5 6 7

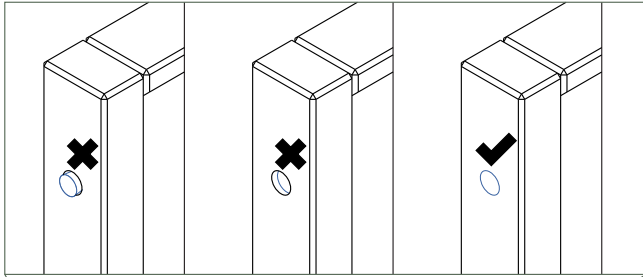


- f  8x





The wood caps should be flush with the post surface.



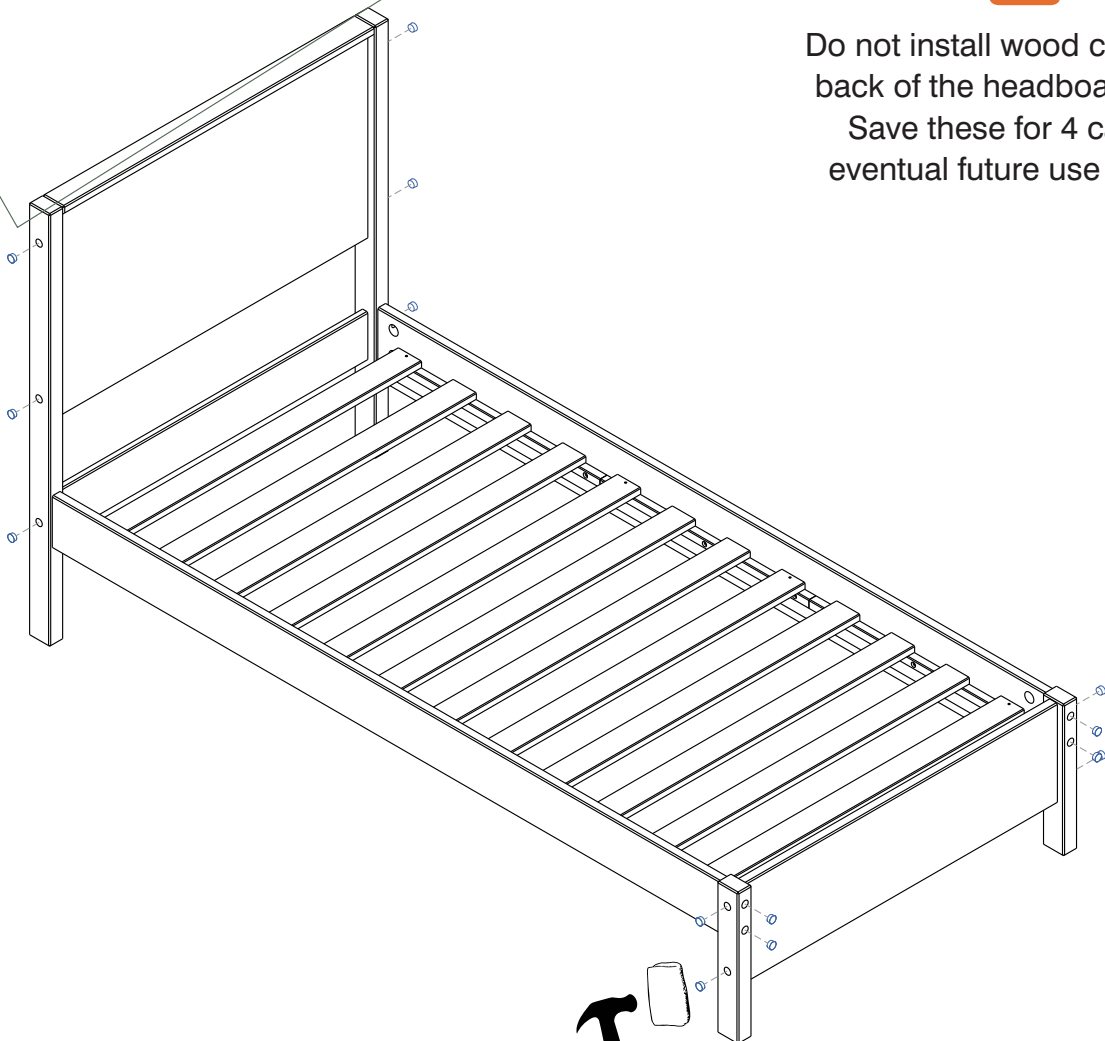
h



14x



Do not install wood caps in the back of the headboard posts.  
Save these for 4 caps for eventual future use instead.



Use a Rubber Mallet or a piece of wood to protect the finish when hammering the wood cap.







[www.simplykidsroom.com](http://www.simplykidsroom.com)

