



**SIMPLY  
NURSERY**

# **BOHO NOAH WOOD SHELF**

## **ASSEMBLY INSTRUCTIONS**

**Model : 1191.18.1.573  
Lot #: 21/0056**



**assembling**  
1 person



**time**  
approximately 30 minutes



**tools**  
philips screwdriver, rubber hammer

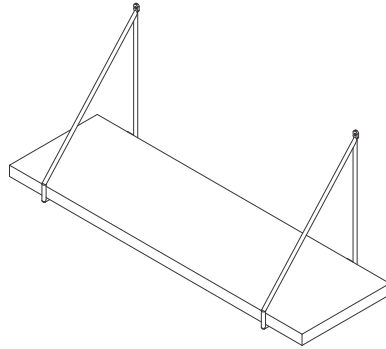
[www.simplynursery.com](http://www.simplynursery.com)

Manufacturer Móveis Caftor Ltda. Rio Negrinho/SC - Brazil - 89295-000.

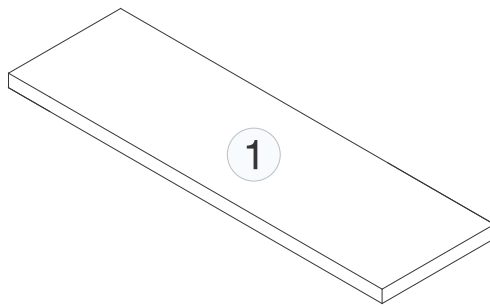
Distributed in the USA by: SIMPLY NURSERY, LLC. Orlando/Florida - 32809 - United States - 1-888-343-0730

# BOHO NOAH

## WOOD SHELF




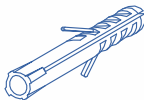
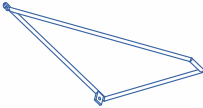
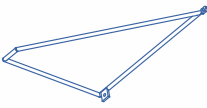

### Parts & Finish



 Pieces of wood

### Hardware Set

The hardware set of assembling are inside of the box.

<b>a</b>	 Ø 3,5 x 16	<b>2</b> pcs	<b>d</b>		<b>2</b> pcs
<b>b</b>		<b>1</b> pcs	<b>e</b>		<b>1</b> pcs
<b>c</b>	 Ø 4,5 x 50	<b>2</b> pcs			

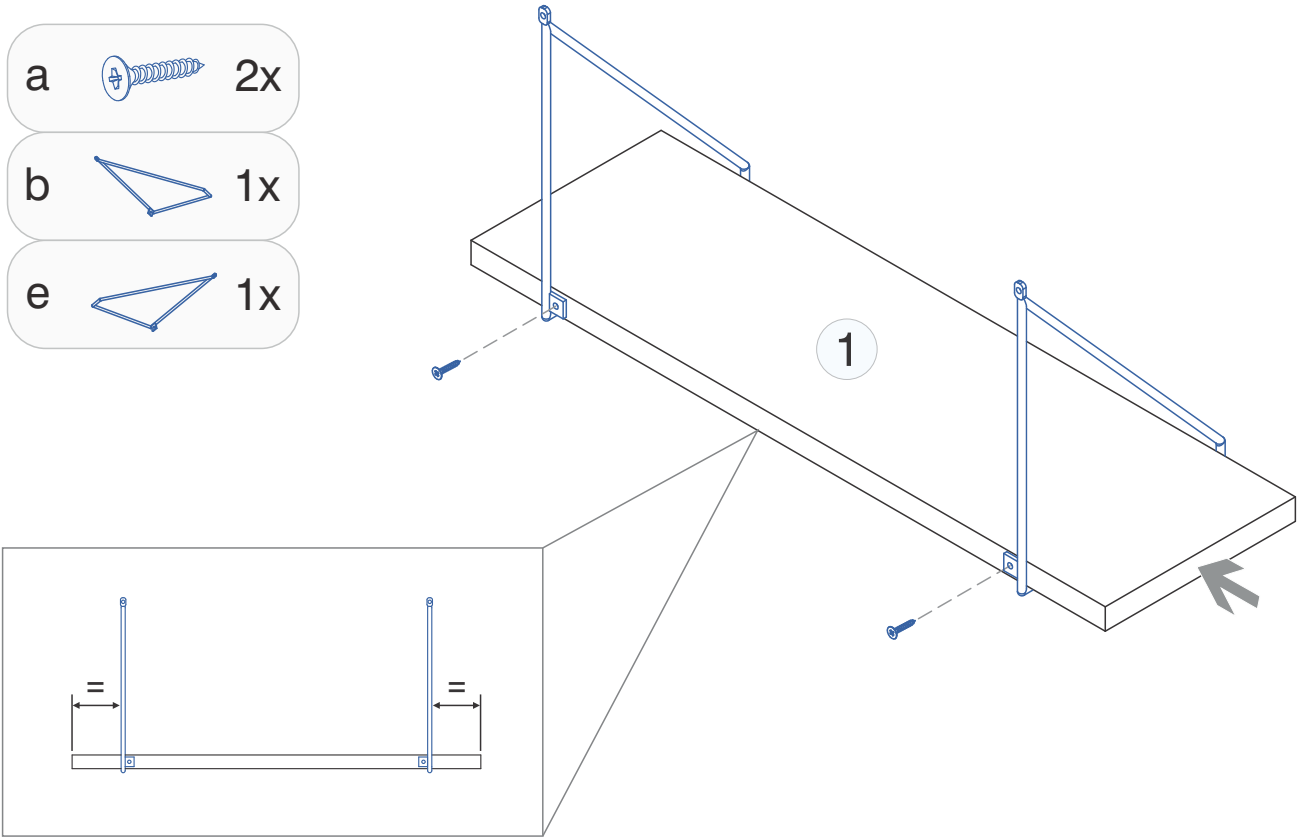
1

2

a  2x

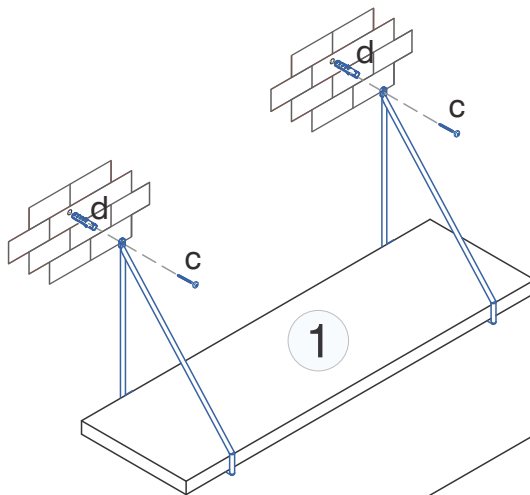
b  1x

e  1x



1

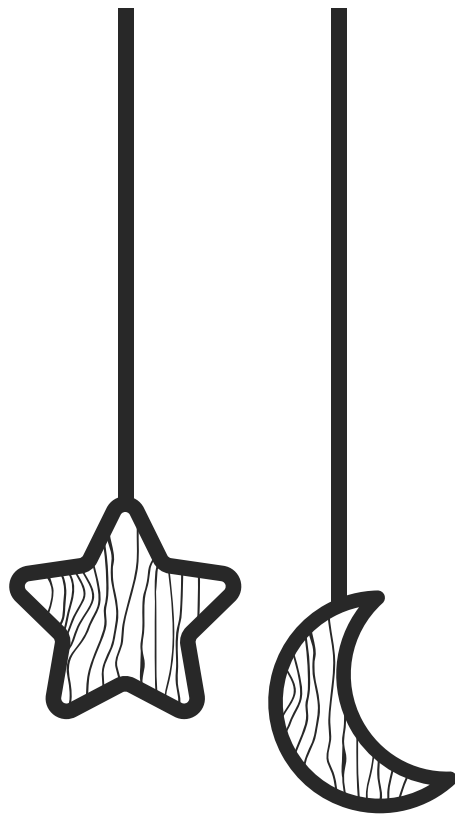
2



c  2x

d  2x

Mark the location to be drilled in the wall with a pencil, then drill the wall and place the hardware d with a rubber hammer.



[www.simplynursery.com](http://www.simplynursery.com)  
[contact@simplynursery.com](mailto:contact@simplynursery.com)