



**SIMPLY
NURSERY**

BOHO NOAH COAT RACK

ASSEMBLY INSTRUCTIONS

**Model : 1191.18.2.573
Lot #: 21/0056**



assembling
1 person



time
approximately 30 minutes



tools
philips screwdriver, rubber hammer

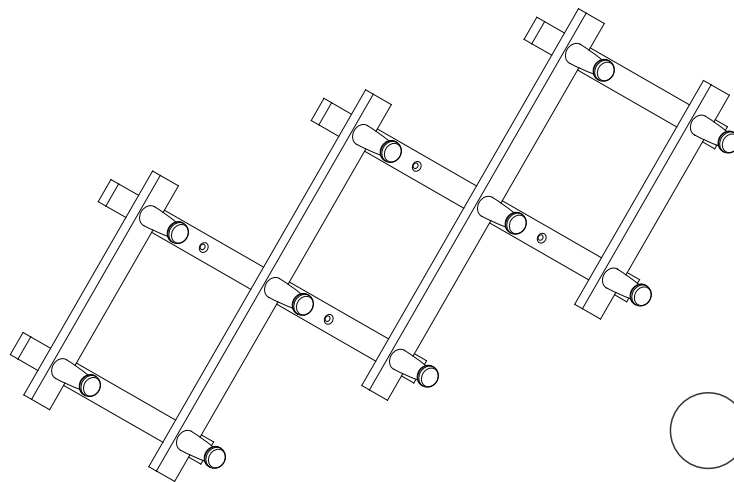
www.simplynursery.com

Manufacturer Móveis Caftor Ltda. Rio Negrinho/SC - Brazil - 89295-000.
Fabricant Móveis Caftor Ltda. Rio Negrinho/SC - Brésil - 89295-000.

Distributed in the USA by: SIMPLY NURSERY, LLC. Orlando/Florida - 32809 - United States - 1-888-343-0730
Distribué aux États-Unis par: SIMPLY NURSERY, LLC. Orlando/Florida - 32809 - United States - 1-888-343-0730

BOHO NOAH

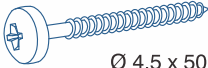

COAT RACK



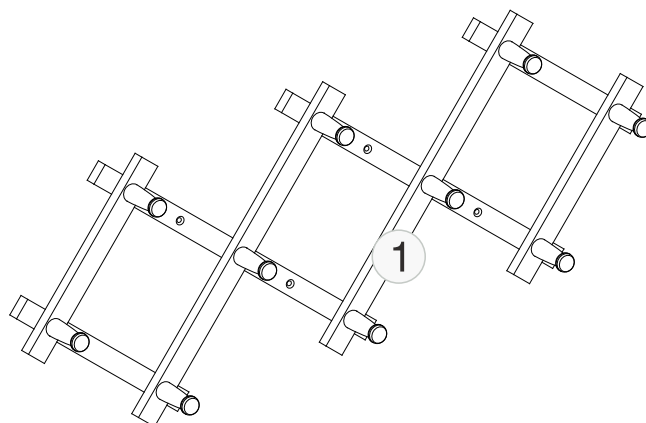
 pieces of wood

Hardware Set

The hardware set of crib assembling are inside of the box.

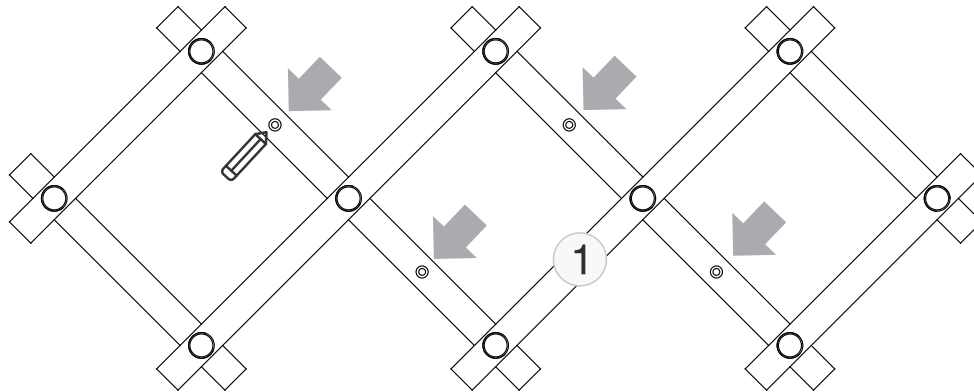
a	 Ø 4.5 x 50 mm Ø 0.18" x 2"	04 pcs
b		04 pcs

Parts

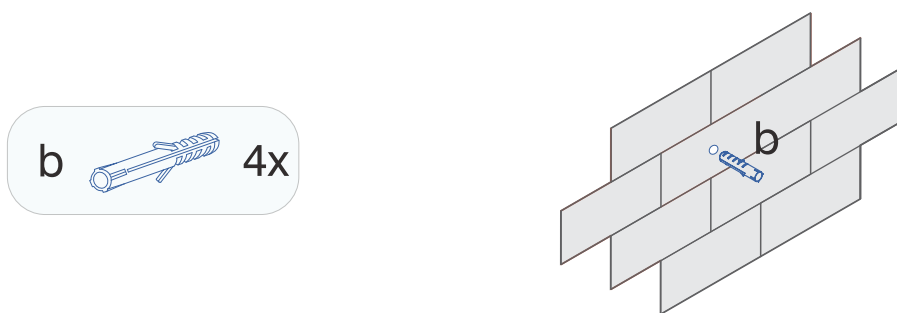


1

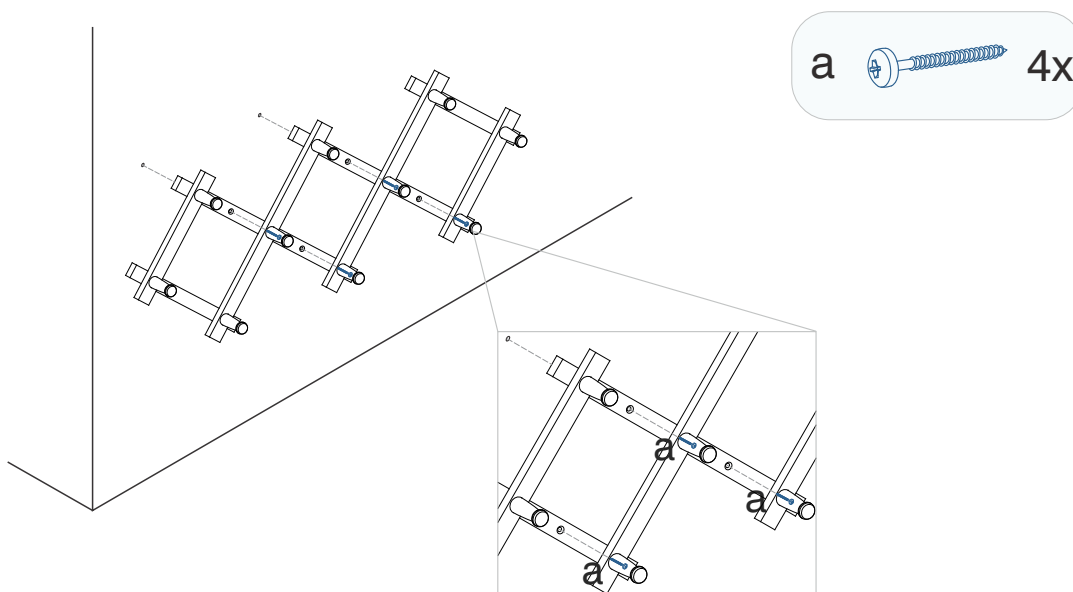
To affix the item to drywall, determine final placement on the wall, and mark the keyhole opening placement on the wall with pencil. Be sure to confirm precise distance and levelness between holes for accurate hanging.

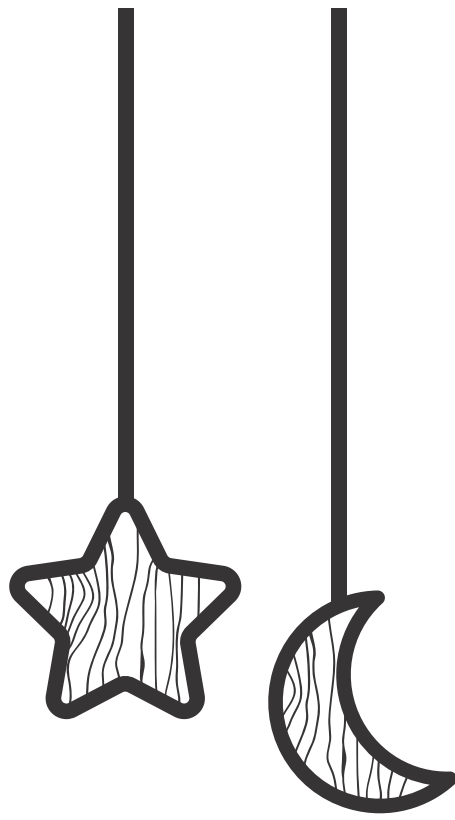


Drill small pilot holes into the wall at the marked locations and insert plastic anchors.



Attach the coat rack to the anchors with screws. Tighten with a phillips screwdriver.





www.simplynursery.com
contact@simplynursery.com