

Crib Changer Set (6831) - Assembly and Operation Manual

Congratulations on purchasing an MDB Family product. This product will provide many years of service if you adhere to the following guidelines for assembly, maintenance, and operation. This product is for residential use only. Any institutional use is strictly prohibited.

Please be sure to follow the instructions for proper assembly. Use a Phillips head screwdriver for assembling the product in addition to the Allen wrench included in the hardware box. Do not use power screwdrivers. All of our products are made from natural woods. Please understand that natural woods have color variations which are the result of nature and not defects in workmanship.

DO NOT SUBSTITUTE PARTS. ALL MODELS HAVE THE SAME QUANTITY OF PARTS AND HARDWARE. YOUR MODEL MAY LOOK DIFFERENT FROM THE ONE ILLUSTRATED DUE TO STYLISTIC VARIATIONS.

⚠ WARNING!

READ ALL INSTRUCTIONS BEFORE USE OF THE CHANGING TABLE, ADD-ON CHANGING UNIT, OR CONTOURED CHANGING PAD.



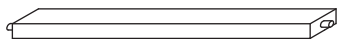
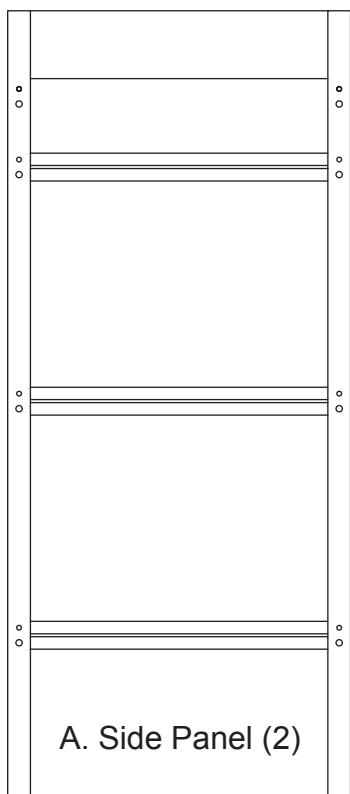
!!PLEASE READ!

Assembly of this furniture is easier with two people. Assemble furniture on debris free carpets or on the enclosed foam sheets to prevent scratching of finish. Using any power tools to assemble this furniture may potentially strip the wood. DO NOT OVERTIGHTEN SCREWS. DO NOT USE THE CHANGING TABLE IF IT IS DAMAGED OR BROKEN.

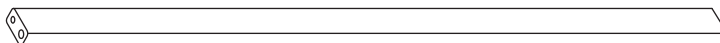
Unpacked and separated all parts, bolts and screws. All holes for attachment, including the ones for an optional drawer, have been pre-drilled. No drilling by the customer is necessary. Ask your store or call us for replacement of missing part. We continue to improve our product and may make minor changes to the design. These changes may not be reflected in the instructions.

CHANGER

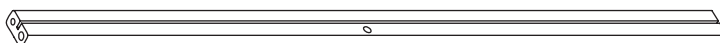
CHANGER PARTS



B. Support Bar (3)



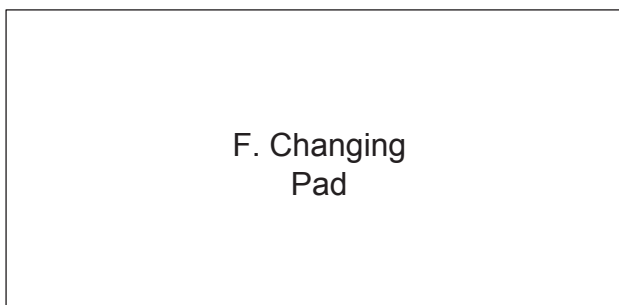
C. Top Rail (2)



D. Side Rail (6)

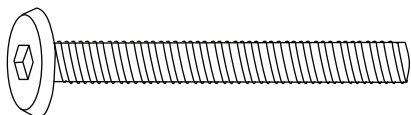


E. Shelf Board (3)



F. Changing Pad

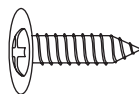
HARDWARE



H1. 2" Allen Head Bolt (16)



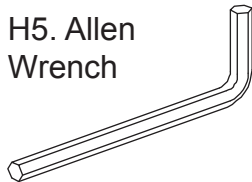
H2. 1" Metal Dowel (16)



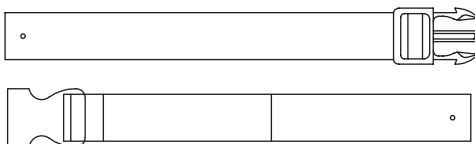
H3. Wood Screw (2)



H4. Lock Washer (16)

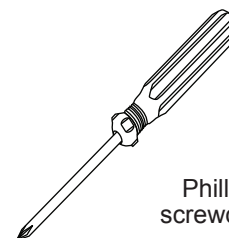


H5. Allen Wrench



H6. Safety Strap

Tools Needed (not included)



Phillips screwdriver

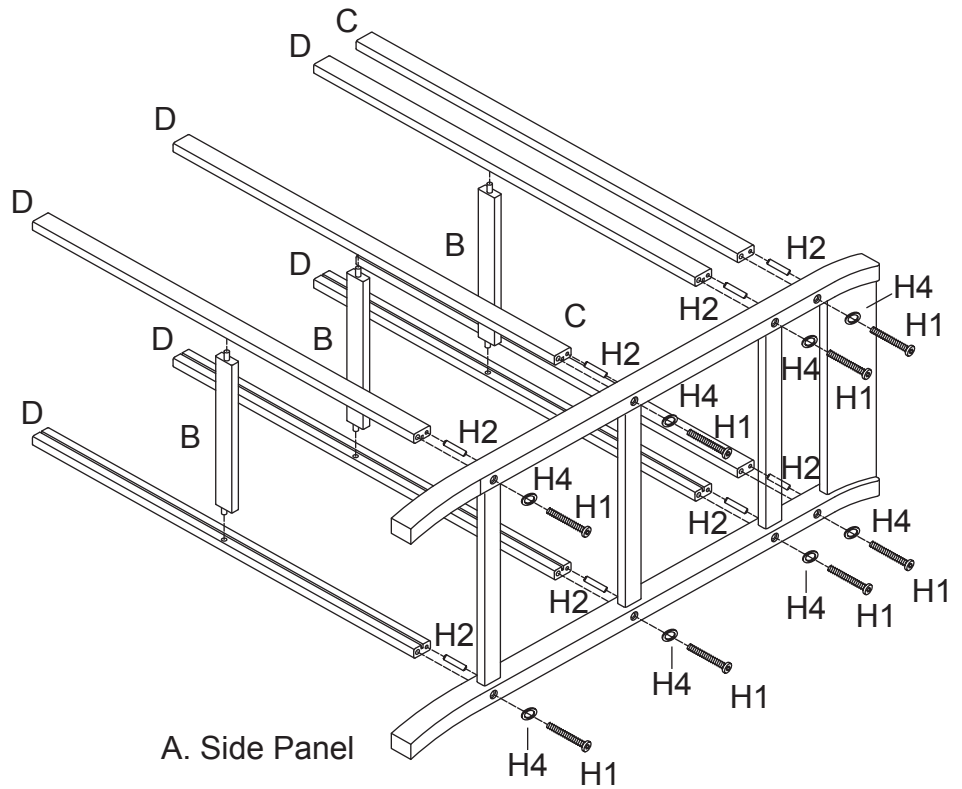
STEP 1.

Attach support bars (B), top rails (C) and side rails (D) to one of the side panels (A) using 2" Allen head bolts (H1), lock washers (H4) and metal dowels (H2) as illustrated.

Use the Allen wrench (H5) to tighten the bolts securely.

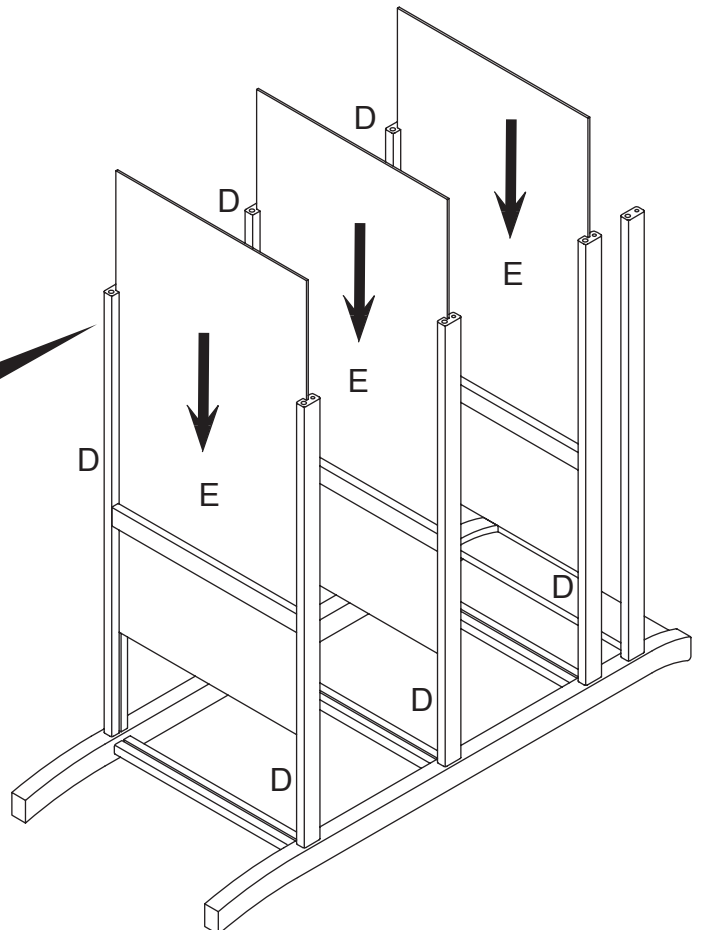
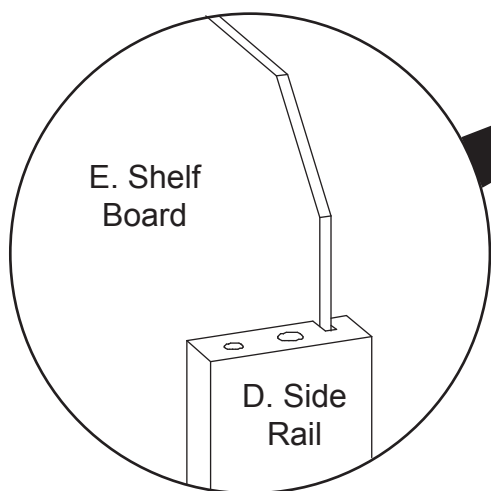
DO NOT OVERTIGHTEN.

* Make sure the groove at each rail faces the inside of the unit.



STEP 2.

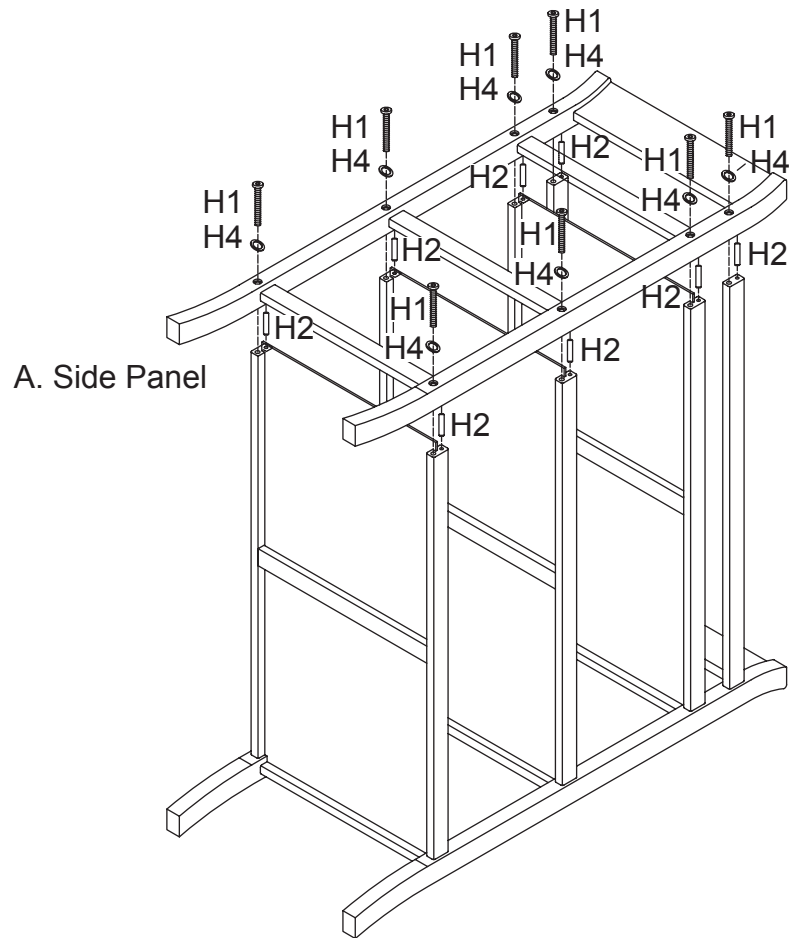
Slide in shelf boards (E) in to the grooves of side rails (D).



STEP 3.

Attach the other side panel (A) to the changer assembly using 2" Allen head bolts (H1), lock washers (H4) and metal dowels (H2) as illustrated.

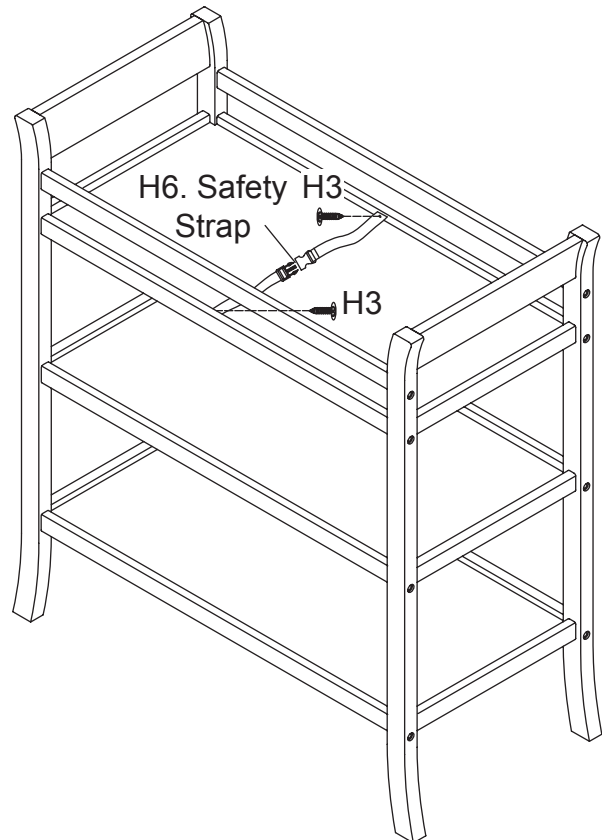
Use the Allen wrench (H5) to tighten the bolts securely.



DO NOT OVERTIGHTEN.

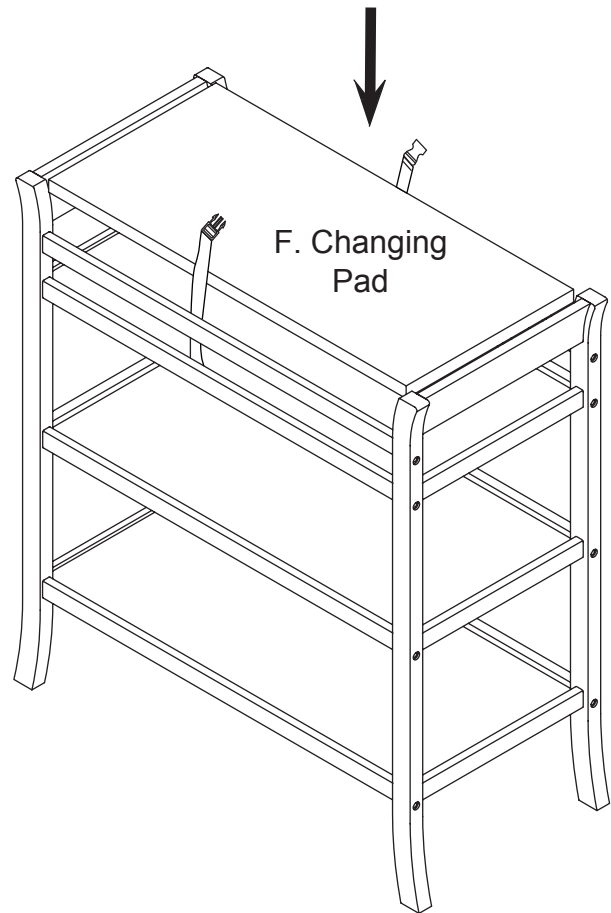
STEP 4.

Attach safety strap (H6) to the side rails (D) using two wood screws (H3).



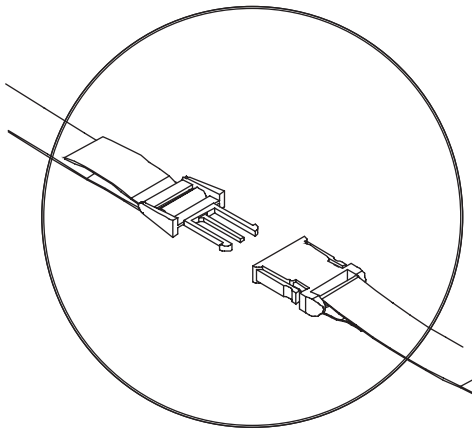
STEP 5.

Place the changer pad (F) onto the changer.



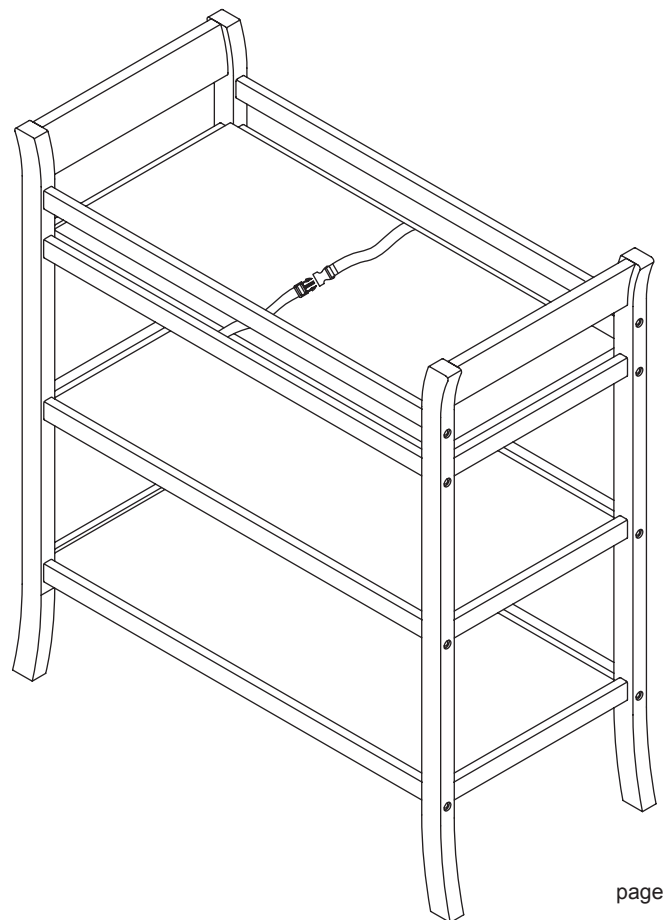
STEP 6.

Adjust the safety strap (H6) and test the locking mechanism. Slide the male connector into the female connector until they lock together. Press the side tabs on the male connector to release. Make sure the safety strap (H6) goes over the pad. Recheck all connections and your changer is ready to use.



KEEP THIS MANUAL IN A SAFE PLACE FOR FUTURE REFERENCE.

The recommended maximum weight of the occupant is 30 lbs on changing table.



STEP 7.

FURNITURE ANTI-TIPPING KIT INSTALLATION

Serious or fatal crushing can occur when furniture tips over on children. To help prevent tip-over, follow the steps below to install this anti-tipping strap.



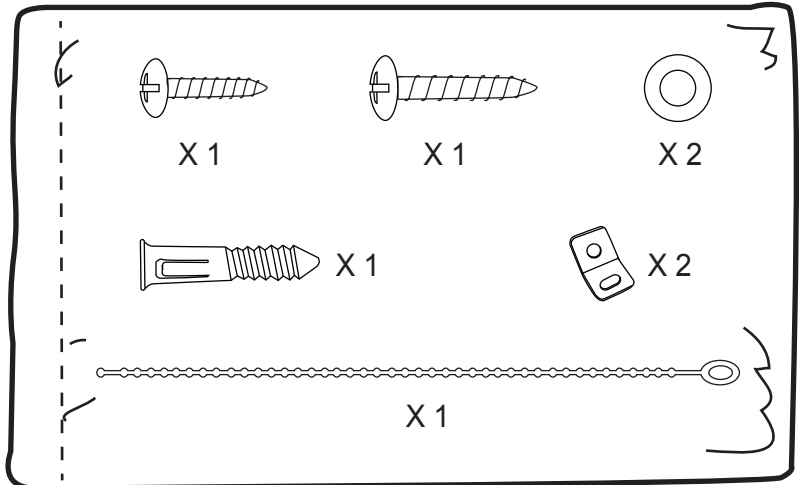
WARNING

Serious or fatal crushing injuries can occur from furniture tip-over. To help prevent tip-over:

- Install tipover restraint provided.
- Place heaviest item in the lowest drawers.
- Unless specifically designed to accommodate, do not set TVs or other heavy objects on top of this product.
- Never allow children to climb or hang on drawers, doors, or shelves.
- Never open more than one drawer at a time. (OR)
- Do not defeat or remove the drawer interlock system.

Use of tip-over restraints may only reduce, but not eliminate, the risk of tip-over.

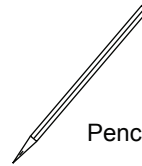
This is permanent label. Do not attempt to remove!



Tools Needed (not included)



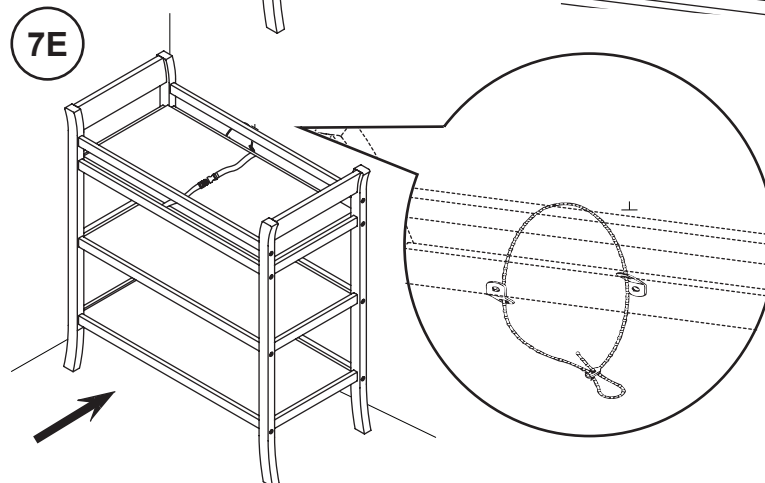
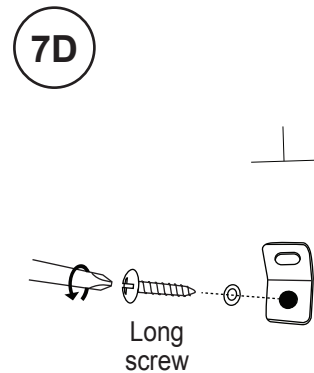
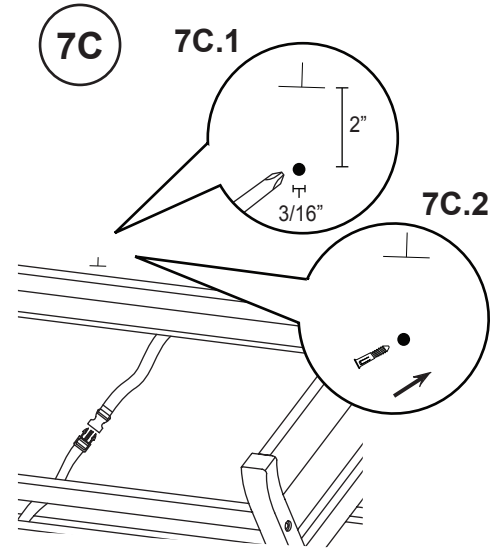
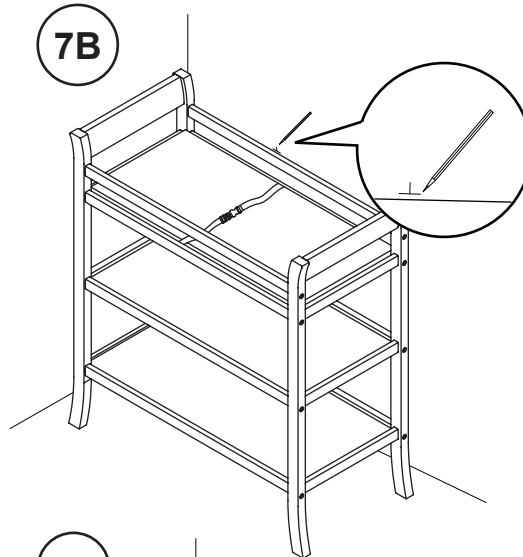
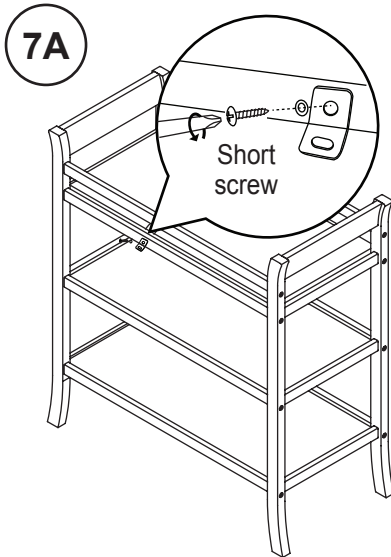
Stubby Screwdriver



Pencil



Phillips screwdriver



Finish Terminé



WARNING! FALL HAZARD

TO PREVENT DEATH OR SERIOUS INJURY, ALWAYS KEEP CHILD WITHIN ARM'S REACH.

READ ALL INSTRUCTIONS BEFORE ASSEMBLING THIS PRODUCT. KEEP THE MANUAL FOR FUTURE USE.



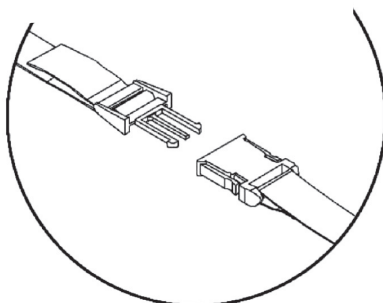
WARNING:

- Always secure this pad to the changing surface (removable or stationary changing tray) by placing the pad within the boundaries of the tray. See instructions.
- The pad is to be used on a surface that is level, stable and structurally sound with a minimum surface dimension of 34" by 17".
- Read all instructions before use of the changing table.
- Do not use changing table if it is damaged or broken.
- This product is not intended to be used as a changing table without adult supervision. Use of the product without this may result in death or serious injury to your child from falling. Follow all instructions on attaching and using the changing table.
- Only use the pad provided by MDB FAMILY.
- The maximum weight of the child for which the changing table is intended is 30 lbs.
- Stop using this changing table when the child is able to sit up or roll over.
- As with all infant and baby furniture, it is important to check fasteners, screws, and bolts periodically for tightness. Parents should ensure a safe environment for their child by checking the furniture regularly before placing the child in the product.
- When using this product, always secure the child with the safety strip.



WARNING! FALL HAZARD

To prevent death or serious injury, always keep child within arm's reach. Never leave child unattended and always use restraining system.



ONE YEAR LIMITED WARRANTY:

We will replace any missing parts at the time of purchase or any defective item within a one year period from the date of original purchase. Please keep your receipt so that we may process your warranty request. This warranty only covers new units with original packaging and ownership, and is not transferable. It does not cover any used, second-hand or demo models.

This warranty does not cover any damaged or defective parts that result from installation and assembly, normal wear and tear, abuse, negligence, improper use or alteration to the finish, design, and hardware. The specific legal rights of this warranty may vary from state to state. Some states do not allow any exclusion or limitation of incidental damages. Some states do not allow limitation on how long an implied warranty lasts.

Storage:

- Pine woods exchange moisture with the air adjusting to major changes in room temperature and humidity. Therefore, it is best to place your furniture away from heating or air-conditioning vents.
- Sunlight is not friendly to solid wood furniture and prolonged direct exposure to harsh sunlight can discolor the finish. Be careful not to place your furniture in direct sunlight for extended periods of time. As with all your fine furniture, blot up spills immediately.

Care and Cleaning:

- Do not scratch or chip the finish. Do not use abrasive chemicals for cleaning. Clean with mild soap on a soft rag. Rinse and dry thoroughly. If you ever refinish this furniture, be sure to use only a non-toxic finish specified for children's products. If you choose to refinish this furniture, the warranty will be voided.

Registering your product is even easier than before. You can register your product on our website at : www.themdbfamily.com

IF YOU WOULD LIKE TO ORDER REPLACEMENT OR MISSING PARTS PLEASE VISIT US AT:

WWW.THEMDBFAMILY.COM

OR YOU CAN CONTACT US BY MAIL:

MDB FAMILY

855 WASHINGTON BLVD.

MONTEBELLO, CA 90640

Restraint System

WARNING:

During the diaper changing process, be sure always to keep one hand on the baby to prevent the baby from falling off the changing pad. Falling from the changing pad could cause severe injury or even death to the baby.



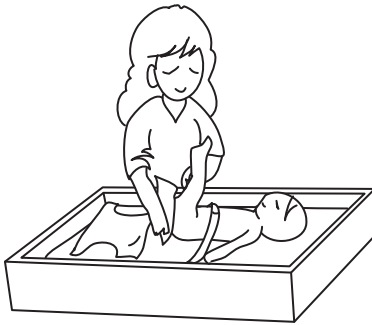
Step 1.

Place a baby on the pad with his/her bottom on the top of the diaper. Safely secure the baby on the pad with the safety straps and buckle on the pad. This helps prevent the baby from falling off the pad, which can result in severe injury or even death of the baby.



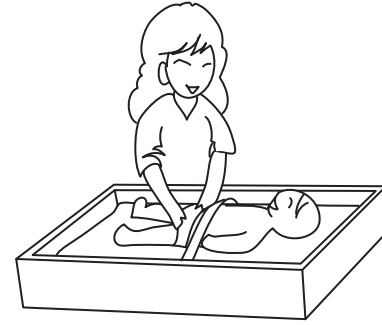
Step 2.

Remove the dirty diaper from the baby.



Step 3.

Push the baby's legs forward and create a cavity under the baby's bottom. Clean the baby.

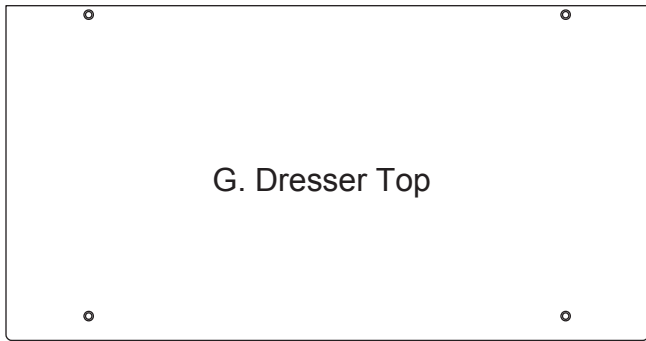


Step 4.

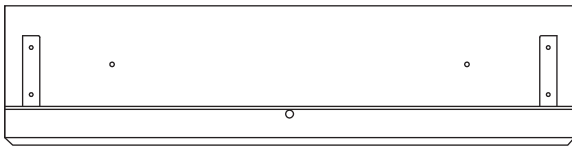
Reattach the new diaper to a clean and happy baby!

DRESSER

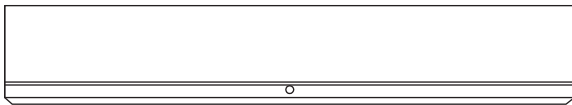
DRESSER PARTS



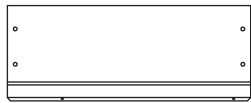
G. Dresser Top



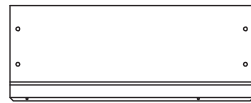
K. Drawer Front Panel (3)



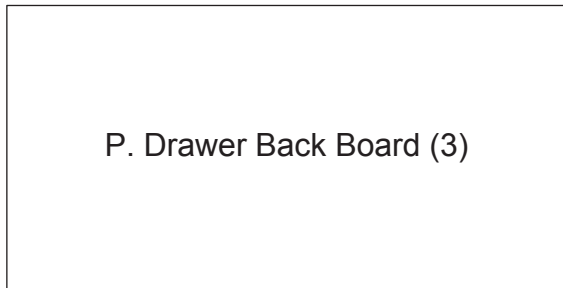
L. Drawer Back Panel (3)



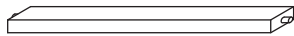
M. Drawer Right Panel (3)



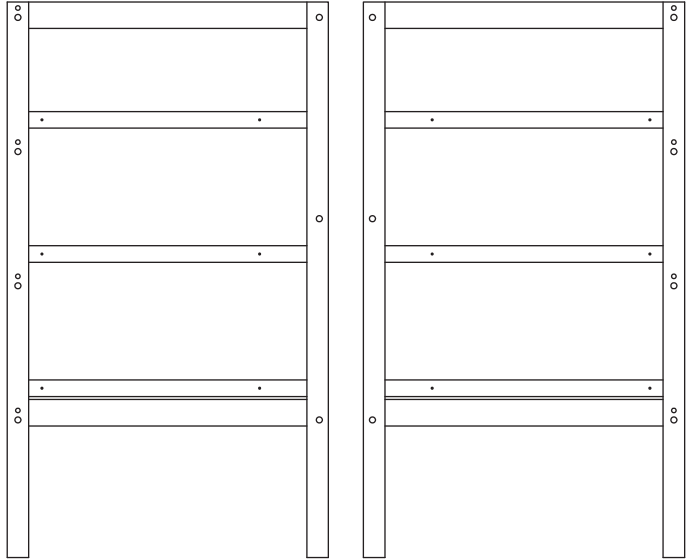
N. Drawer Left Panel (3)



P. Drawer Back Board (3)

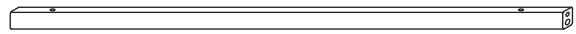


Q. Drawer Support Bar (3)

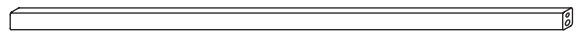


H. Left Side Panel

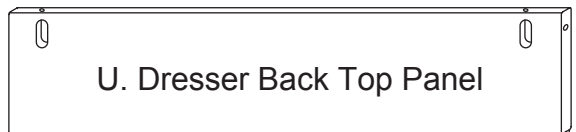
J. Right Side Panel



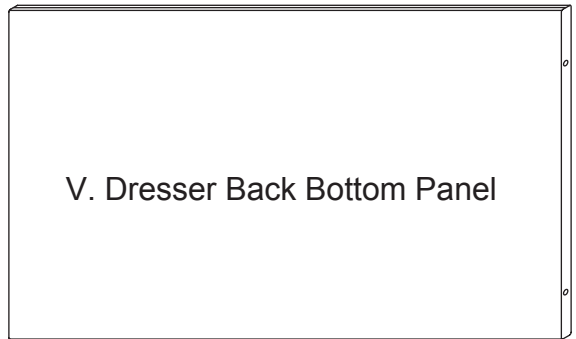
S. Dresser Top Support Bar



T. Dresser Support Bar (3)

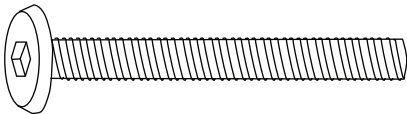


U. Dresser Back Top Panel

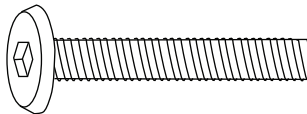


V. Dresser Back Bottom Panel

HARDWARE



H7. 2" Allen Head Bolt (14)



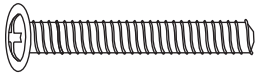
H8. 1-1/2" Allen Head Bolt (4)



H9. 1" Metal Dowel (8)



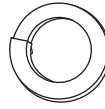
H10. Knob (6)



H11. 1-1/4" Bolt for Knob (6)



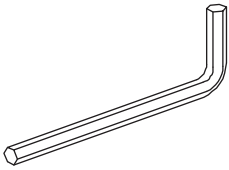
H12. 1" Wood Screw (24)



H15. Lock Washer (18)



H17. 1/2" Small Wood Screw for Glides (30)



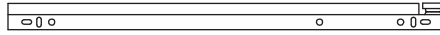
H18. Allen wrench



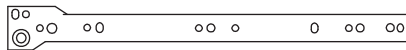
H23. Curve washer (2)



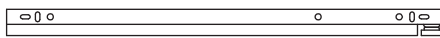
H19. Right Panel Glide (3)



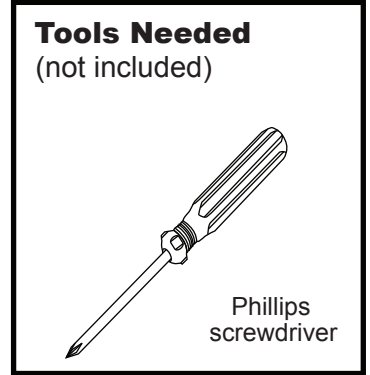
H20. Right Drawer Glide (3)



H21. Left Panel Glide (3)



H22. Left Drawer Glide (3)

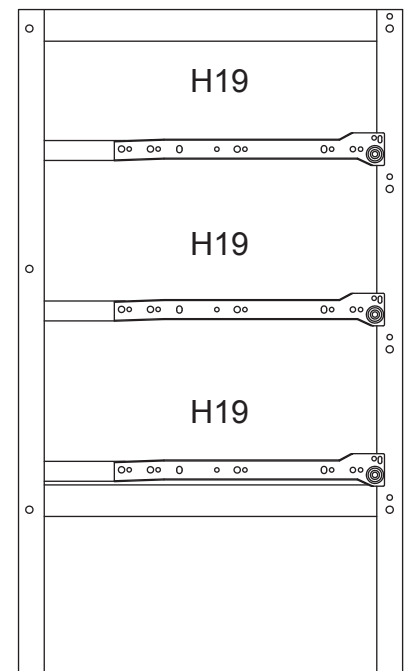
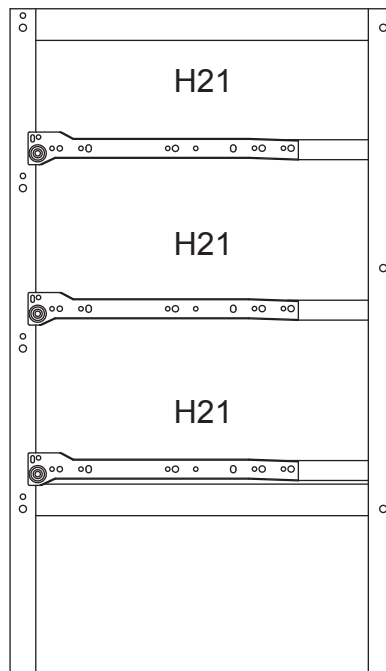
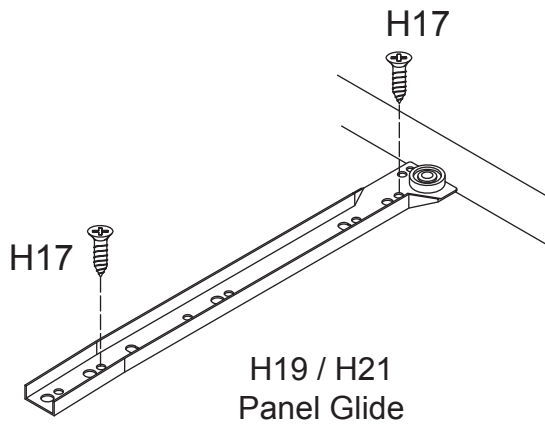


STEP 1.

Attach panel glides (H21, H19) to left side panel (H) and right side panel (J) using 1/2" Small Wood (H17) as illustrated.

H. Left Side Panel

J. Right Side Panel

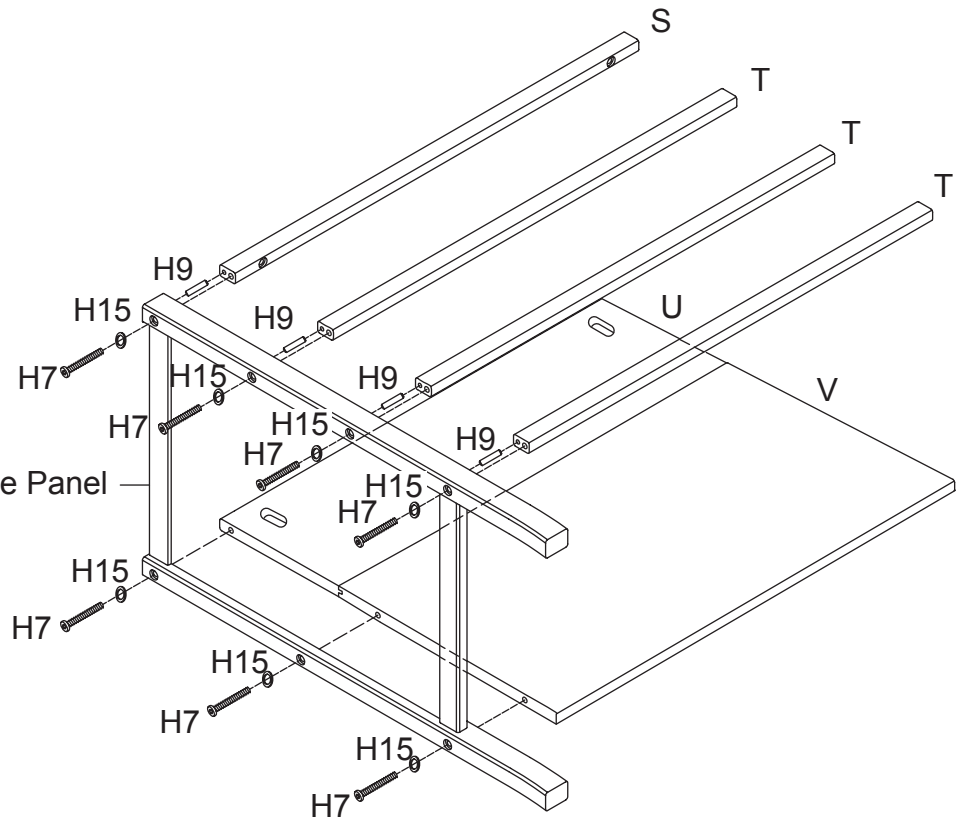


STEP 2.

Attach dresser top support bar (S), dresser support bars (T), dresser back top panel (U) and dresser back bottom panel (V) to the left side panel (H) using 2" Allen head bolts (H7), lock washers (H15) and metal dowels (H9) as illustrated.

Use the Allen wrench (H18) to tighten the bolts securely.

H. Left Side Panel



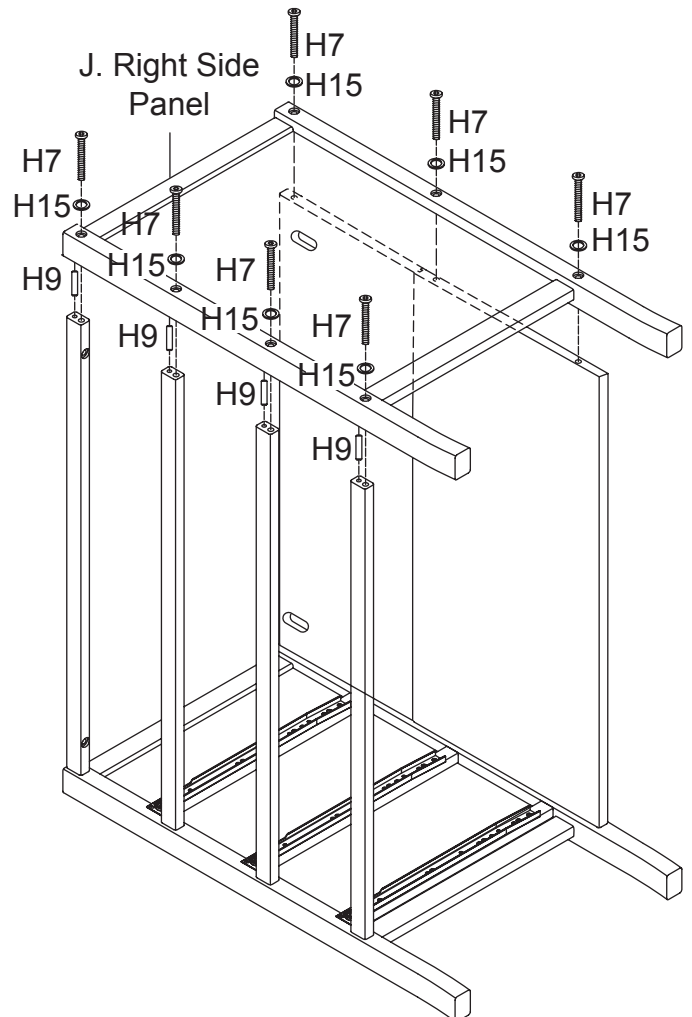
DO NOT OVERTIGHTEN.

STEP 3.

Attach right side panel (J) to the dresser assembly using 2" Allen head bolts (H7), lock washers (H15) and metal dowels (H9) as illustrated.

Use the Allen wrench (H18) to tighten the bolts securely.

J. Right Side Panel

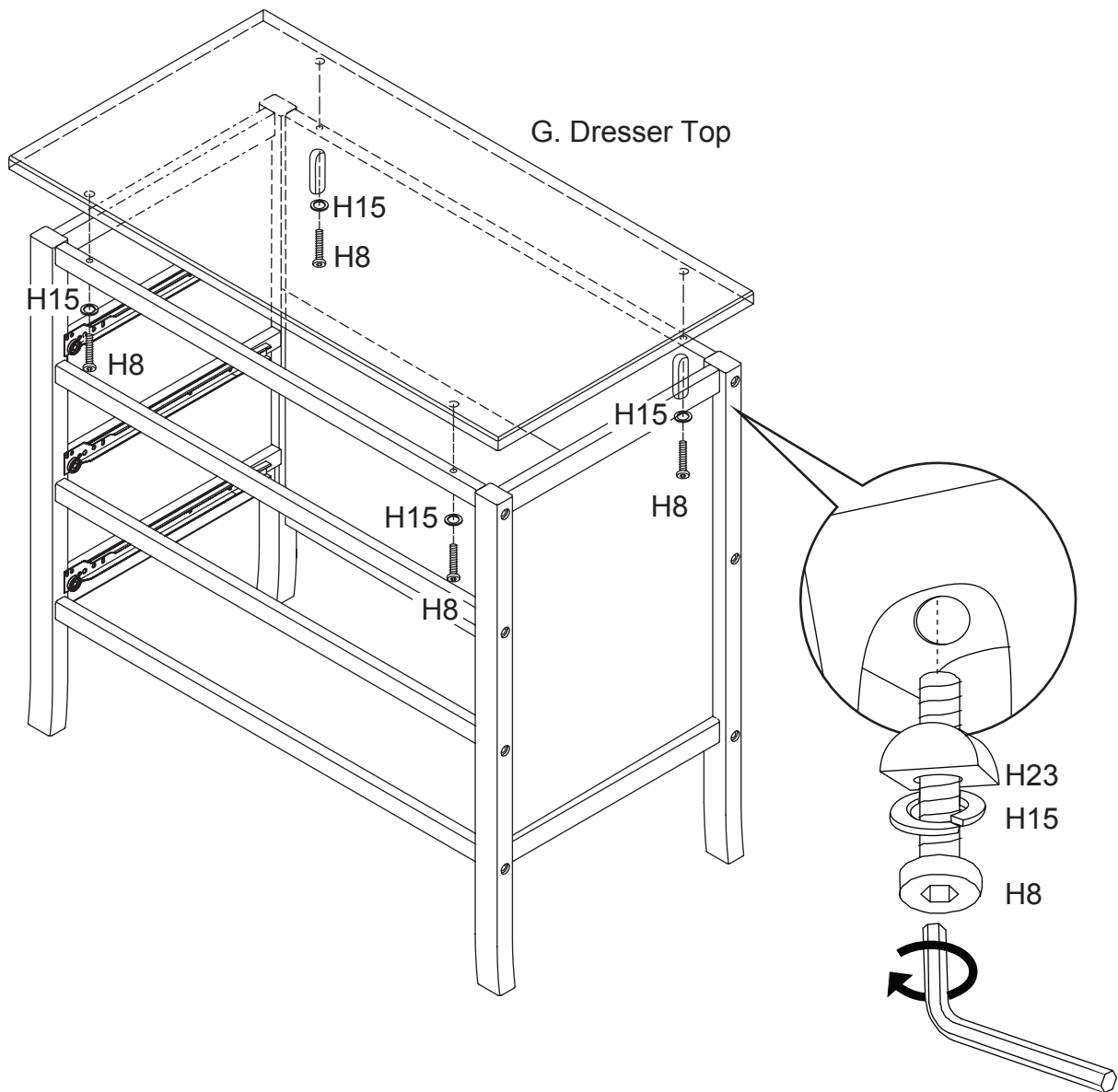


DO NOT OVERTIGHTEN.

STEP 4.

Place the dresser top (G) to the top of dresser assembly. Secure the dresser top (G) using 1-1/2" Allen head bolts (H8), lock washers (H15) and curve washers (H23) as illustrated.

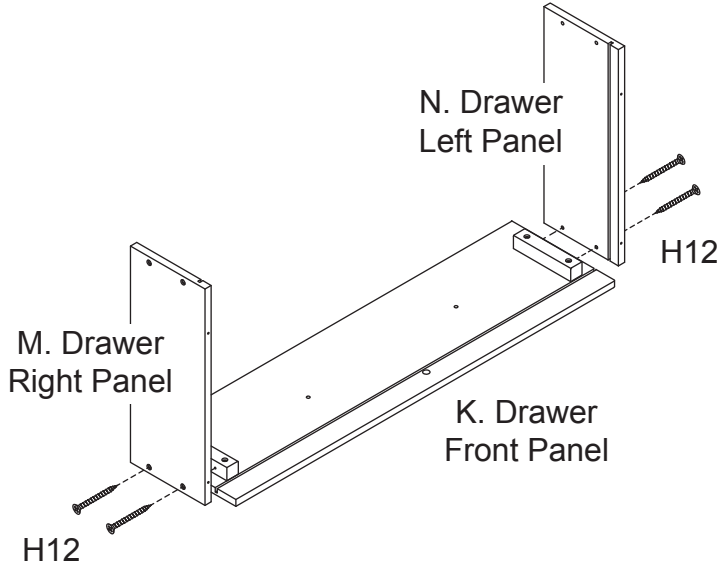
DO NOT OVERTIGHTEN.



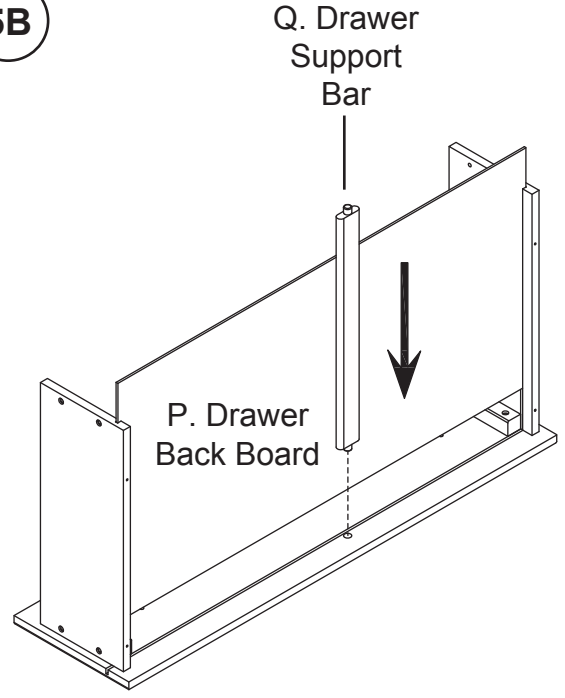
STEP 5.

Assemble all drawers as the steps illustrated below.

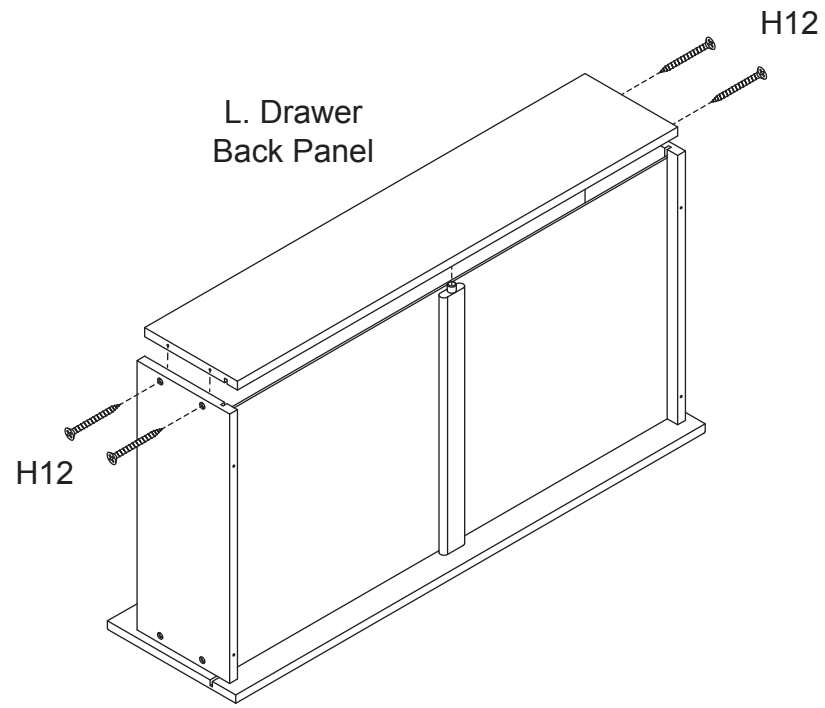
5A



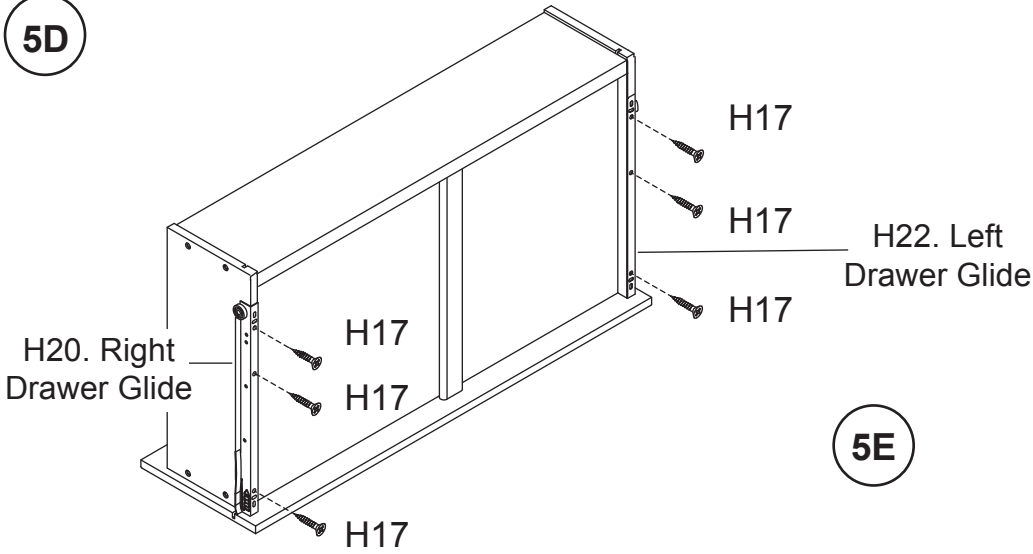
5B



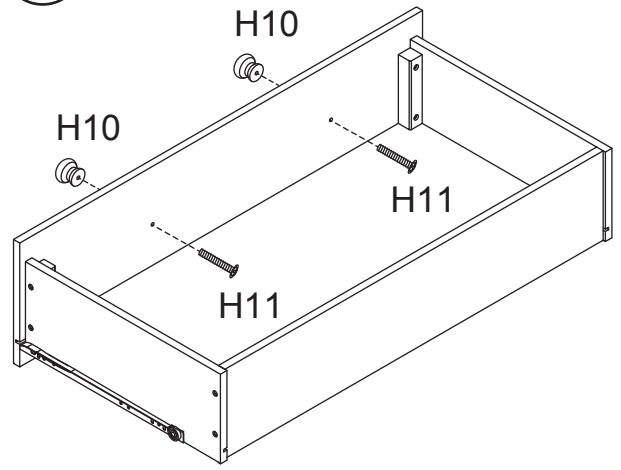
5C



5D

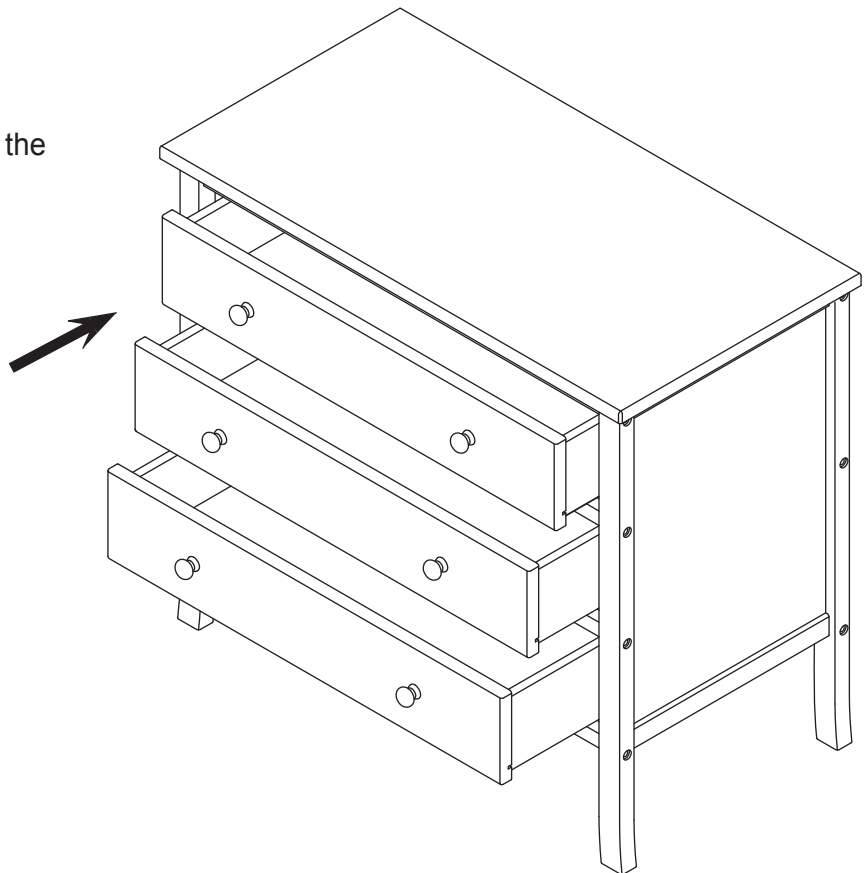


5E



STEP 6.

Slide all drawers to the dresser and the dresser is ready to use.



KEEP THIS MANUAL IN A SAFE PLACE FOR FUTURE REFERENCE.

STEP 7.

FURNITURE ANTI-TIPPING KIT INSTALLATION

Serious or fatal crushing can occur when furniture tips over on children. To help prevent tip-over, follow the steps below to install this anti-tipping strap.



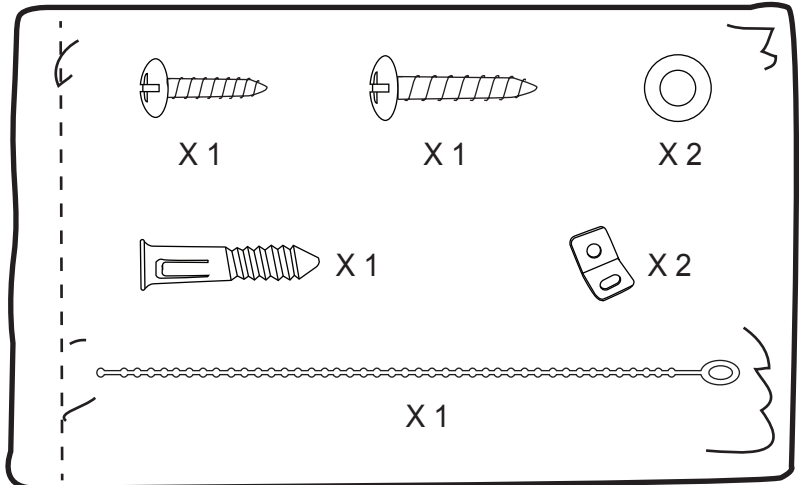
WARNING

Serious or fatal crushing injuries can occur from furniture tip-over. To help prevent tip-over:

- Install tipover restraint provided.
- Place heaviest item in the lowest drawers.
- Unless specifically designed to accommodate, do not set TVs or other heavy objects on top of this product.
- Never allow children to climb or hang on drawers, doors, or shelves.
- Never open more than one drawer at a time. (OR)
- Do not defeat or remove the drawer interlock system.

Use of tip-over restraints may only reduce, but not eliminate, the risk of tip-over.

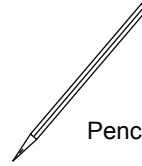
This is permanent label. Do not attempt to remove!



Tools Needed (not included)



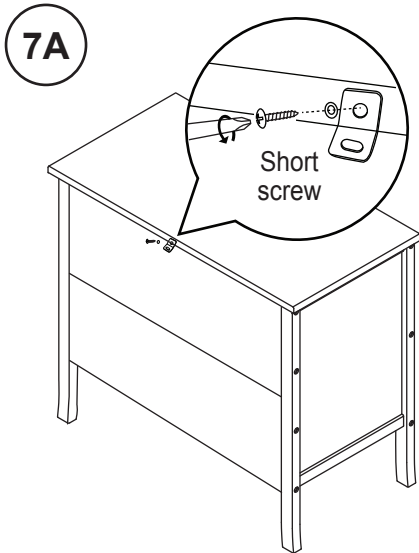
Stubby Screwdriver



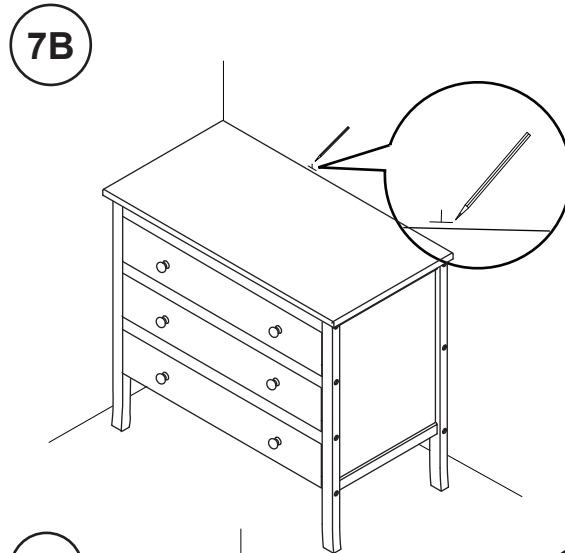
Pencil



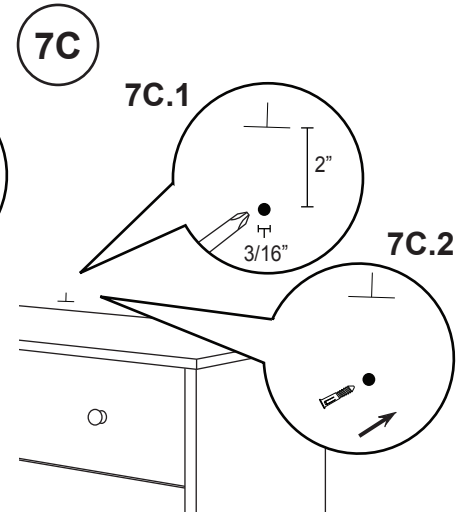
Phillips screwdriver



7A



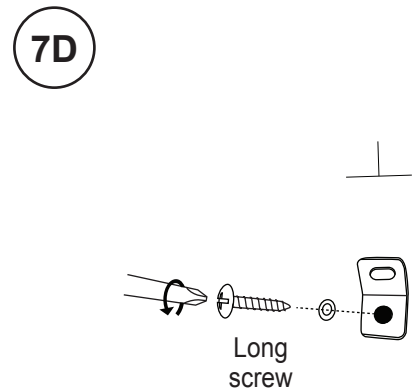
7B



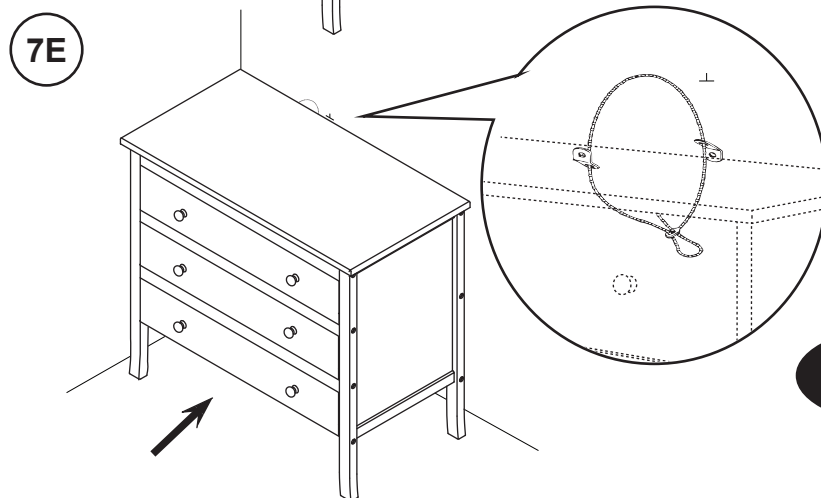
7C

7C.1

7C.2



7D



7E

Finish Terminé