

# W5945QY Roxanne 3-Drawer Changer

Read all instructions before Assembly.  
Keep instructions for future use.

**Hardware**

**Tools required: Phillips screwdriver, Flat-head screwdriver.**

H1. Nylon Dowels x8      H2. Cam Bolts x26      H3. Cam Locks x6      H4. Knobs x6      H5. Knob Screw x6

H6. Small Wood Screw x36      H3-1. Small Cam Locks x20

H7. Large Wood Screw x12      H12-1. Safety Strap Screw x2

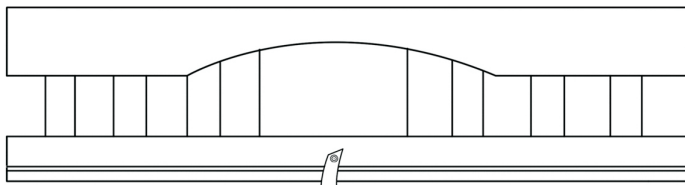
H8. Right Panel Glide x3

H10. Left Panel Glide x3

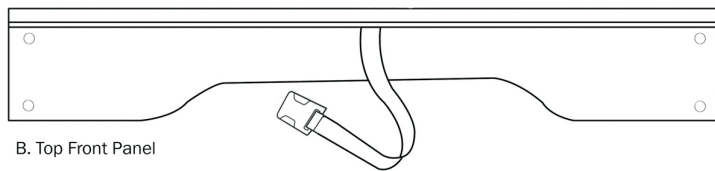
H9. Right Drawer Glide x3

H11. Left Drawer Glide x3

H12. Safety Strap x1



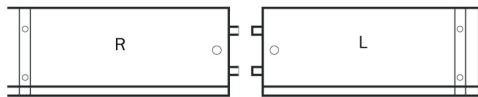
A. Top Rear Panel



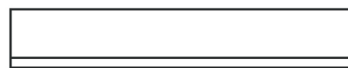
B. Top Front Panel



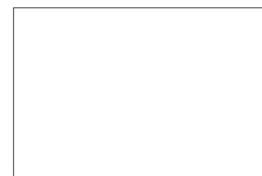
C. Top Changer Panel



F. Left/Right Drawer Panels L: 3, R: 3



H. Rear Drawer Panel x3



I. Drawer Board x3



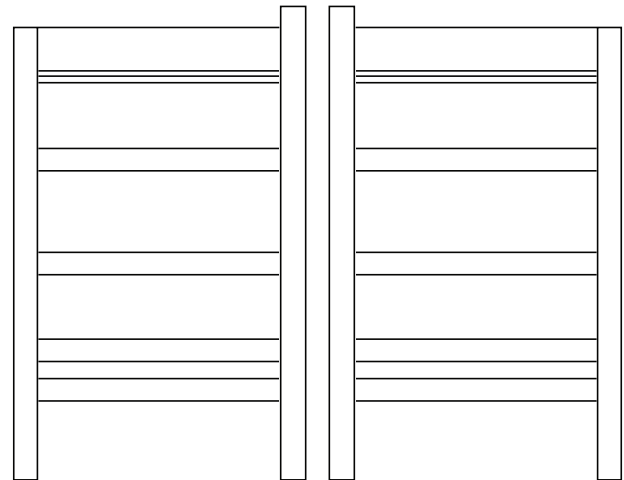
G. Front Drawer Panel x3



J. Front Support Rails x3



J1. Back Bottom Support Rail x1

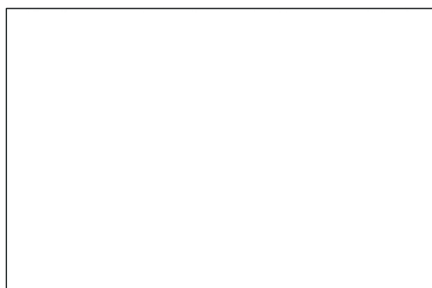


D. Left End Panel

E. Right End Panel



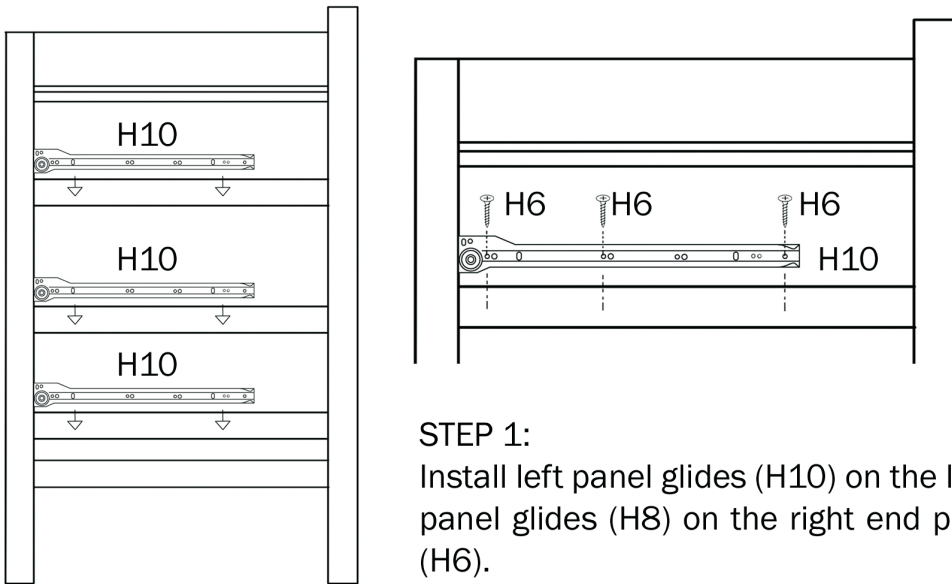
M. Back Panel Side Support Rail x2



K. Back Board

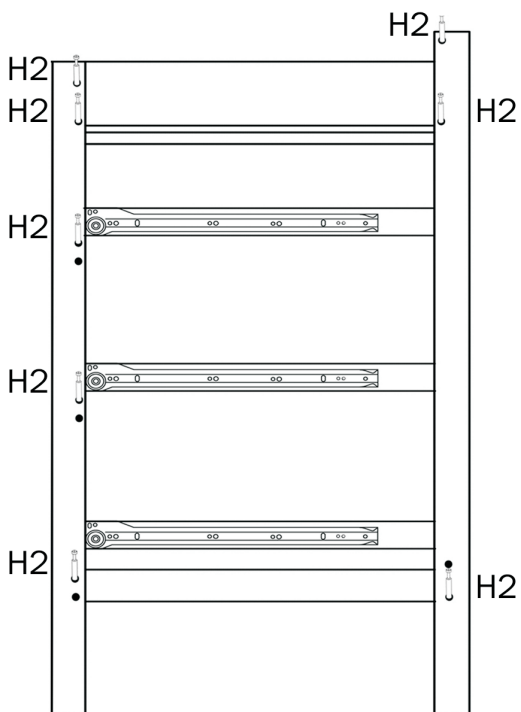


L. Changer Board



**STEP 1:**

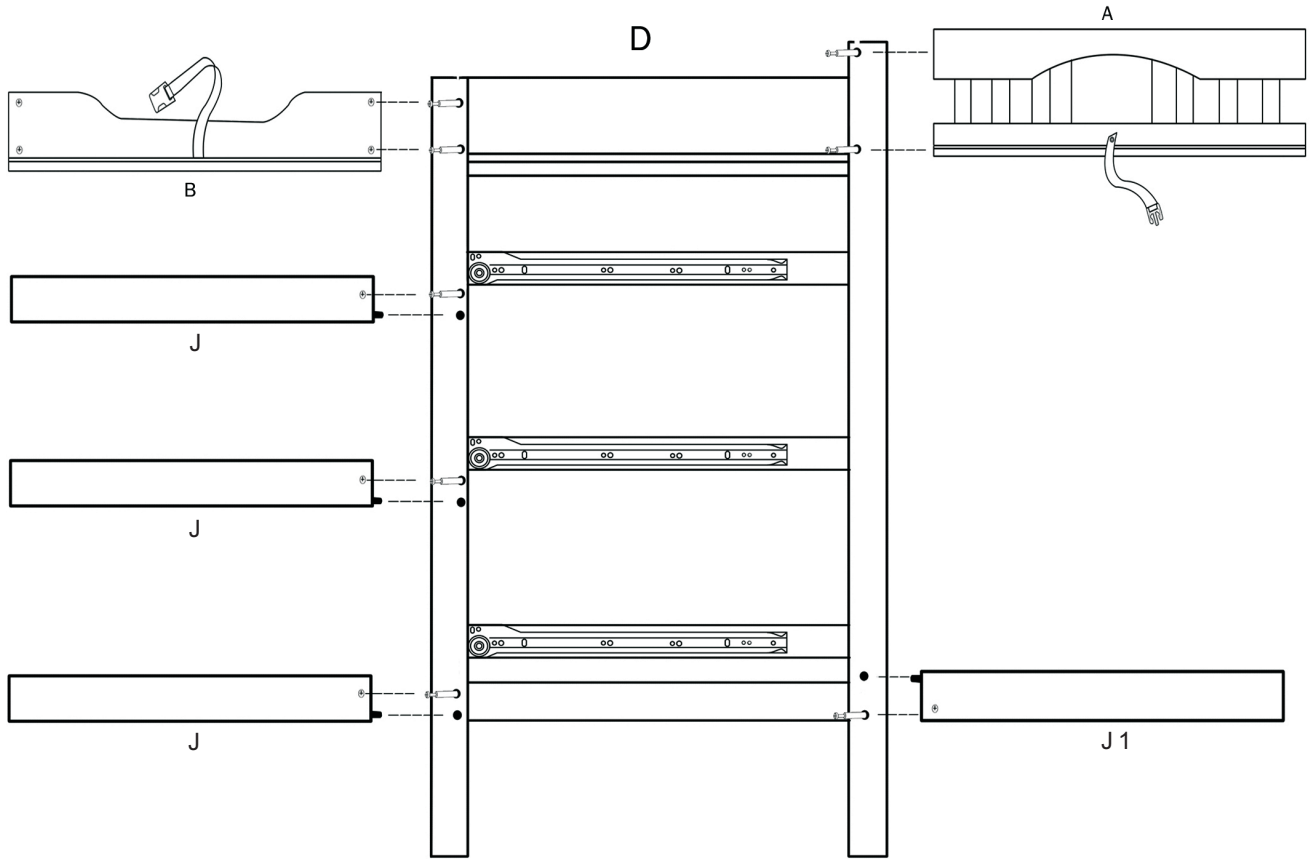
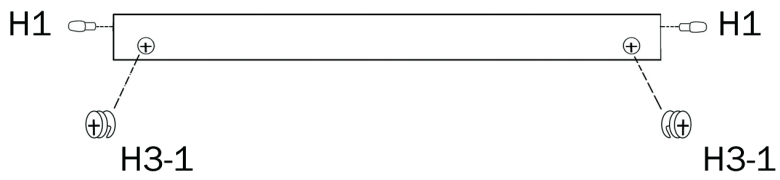
Install left panel glides (H10) on the left end panel (D) and right panel glides (H8) on the right end panel (E) with wood screws (H6).



**STEP 2:**

Screw cam bolts (H2) into left and right end panels.

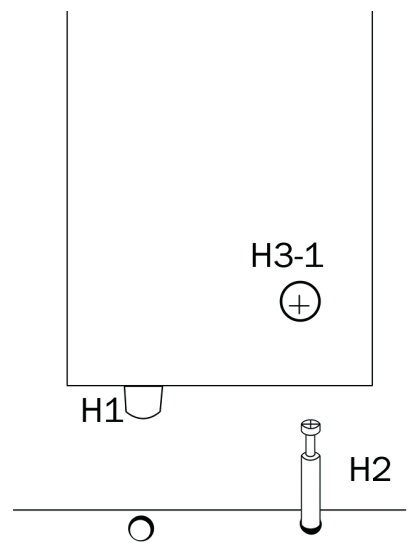
\*\*Eight cam bolts per end panel

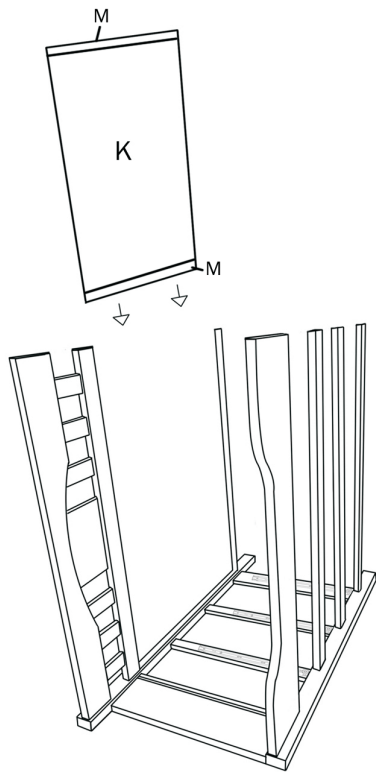


**STEP 3:**

Insert nylon dowels (H1) into support panels (A, B, J and M)

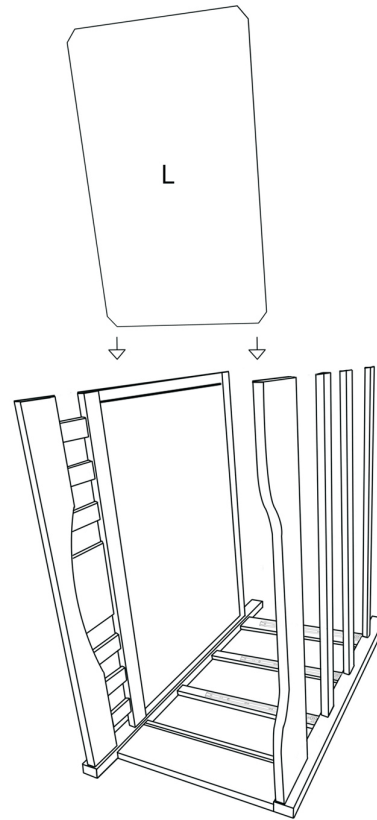
Align dowels on A, B, M, J to the appropriate pre-drilled holes on left end panel (D). Use cam locks (H3-1) to fasten.





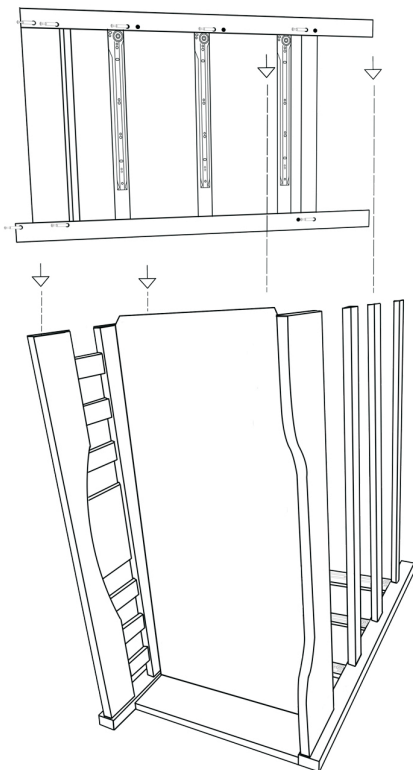
**STEP 4:**

Place side support frames M on left and right side of back board K and slide in back board as shown in the above illustration.



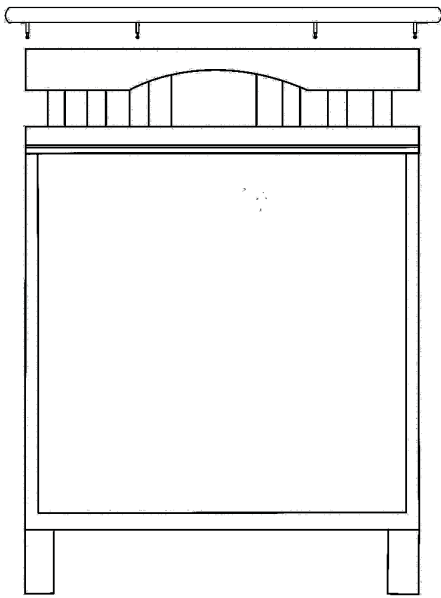
**STEP 5:**

Slide in changer board L to changer assembly.



**STEP 6:**

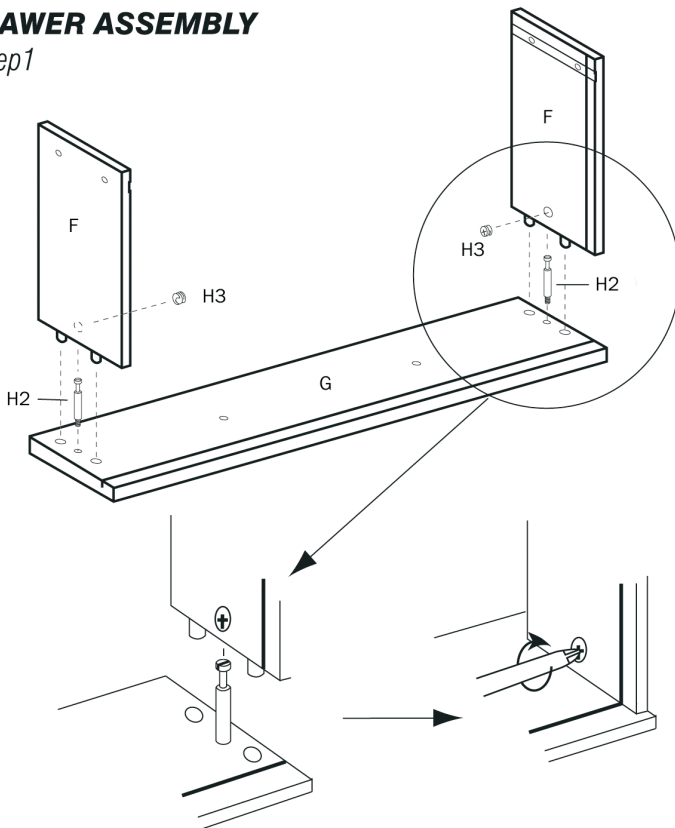
Align dowels on A, B, M, and J to the right end panel (E) and fasten with cam locks (H3-1) as illustrated.



STEP 7:  
Attach top changer panel (C) to the changer assembly using 4 cam bolts (H2) and cam locks (H3-1).

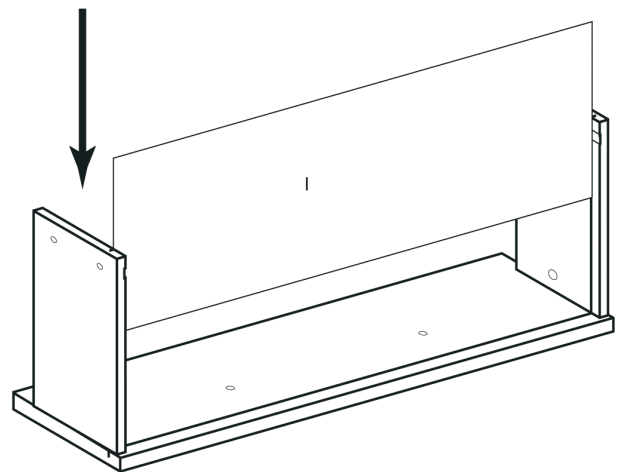
**DRAWER ASSEMBLY**

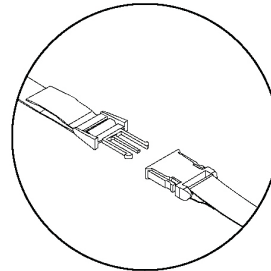
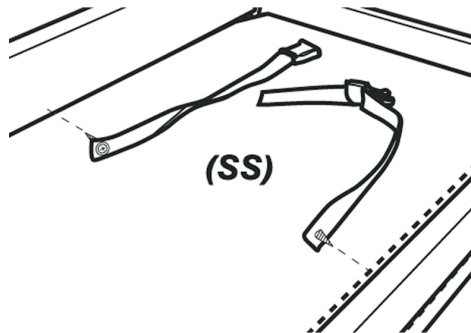
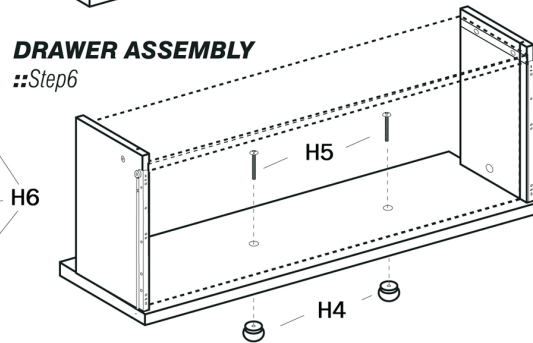
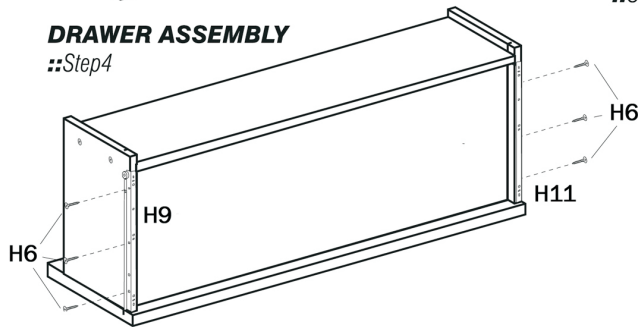
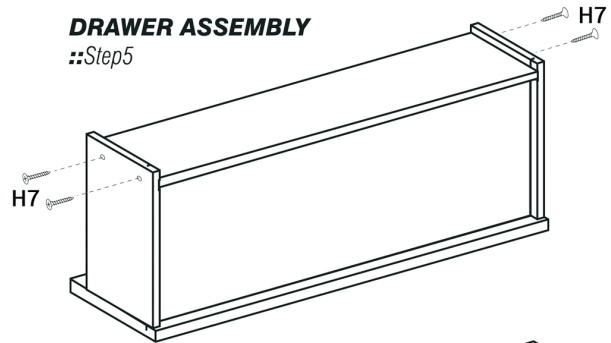
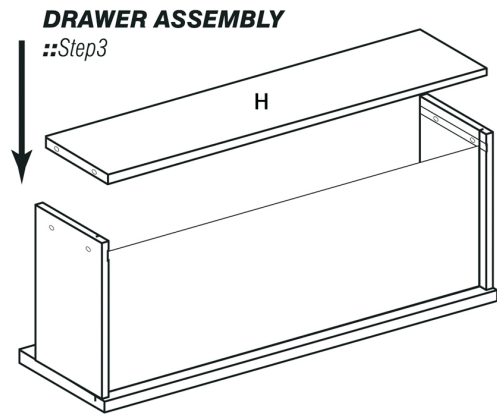
*::Step1*



**DRAWER ASSEMBLY**

*::Step2*





IF YOU WOULD LIKE TO ORDER REPLACEMENT OR MISSING PARTS PLEASE VISIT US AT:

[WWW.MILLIONDOLLARBABY.COM](http://WWW.MILLIONDOLLARBABY.COM)

OR YOU CAN CONTACT US BY MAIL

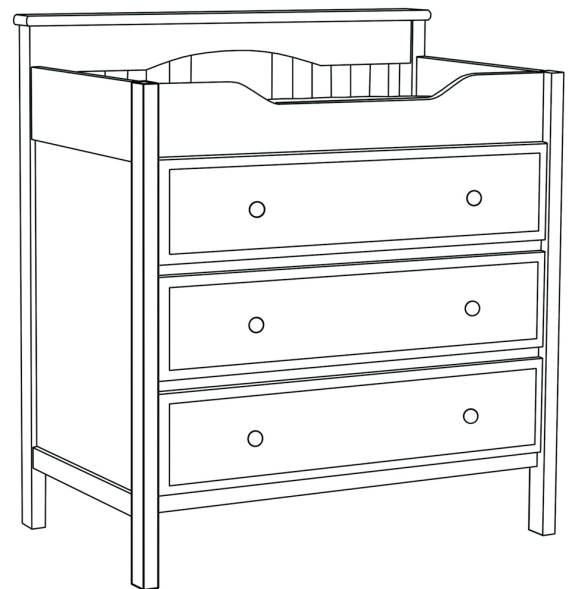
MILLION DOLLAR BABY  
855 WASHINGTON BLVD.  
MONTEBELLO, CA 90640



**WARNING FALL HAZARD:** To prevent death or serious injury keep child within arms reach.

**IMPORTANT:** As with all infant and baby furniture, it is important to check fasteners, screws, and bolts periodically for tightness. Parents should ensure a safe environment for their child by checking the furniture regularly before placing child in the product.

- Do not use the changing table if it is damaged or broken.
- Use only pad provided by Million Dollar Baby.
- Max. weight of child for which the changing table is intended: 30 lbs.
- Never leave child unattended
- Secure the child restraint when using changer
- Keep the child in view while child is on the changer



This item has a manufacturer's limited one year warranty. Visit our web site at [www.milliondollarbaby.com](http://www.milliondollarbaby.com) for more information.