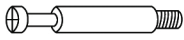


**Hardware**

Tools required: Phillips screwdriver, Flat-head screwdriver.



H1. Cam Bolts x18



H2. Cam Locks x18



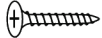
H3. Knobs x8



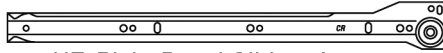
H4. Knob Screws x8



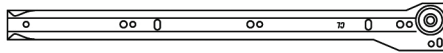
H5. Small Wood Screw x 76



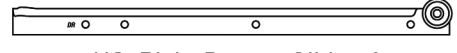
H6. Large Wood Screw x16



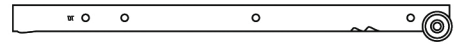
H7. Right Panel Glide x 4



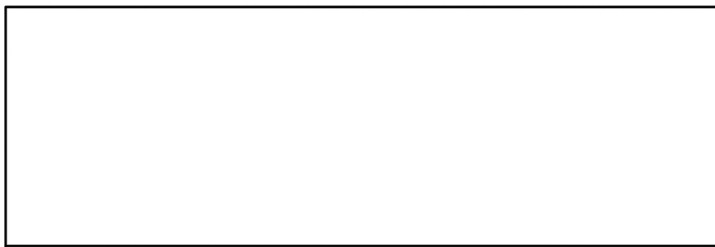
H9. Left Panel Glide x 4



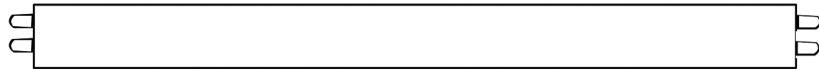
H8. Right Drawer Glide x4



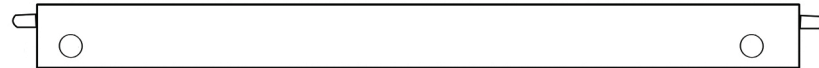
H10. Left Drawer Glide x4



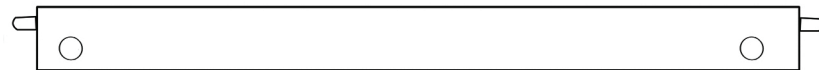
A. Back Boards x2



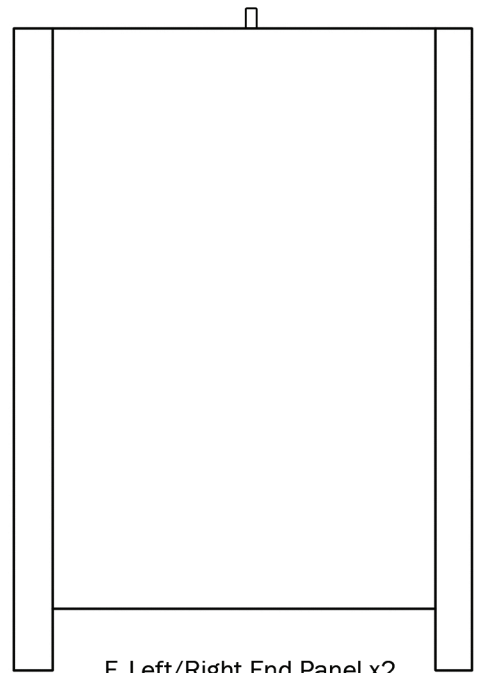
B. Rear Mid-Support Panel x1



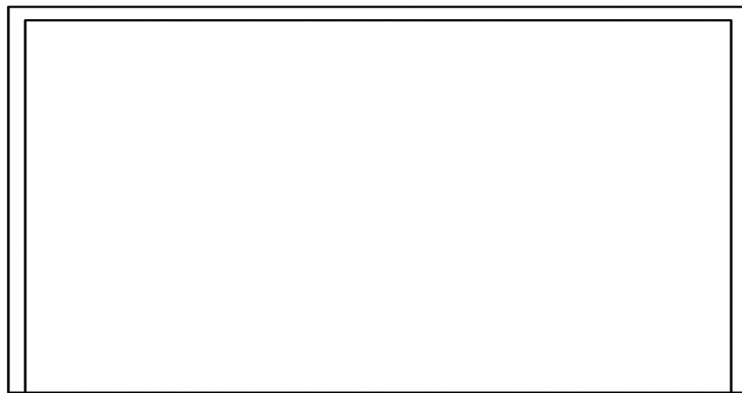
C. Rear Top/Bottom Support Panel x2



D. Front Bottom Support Panel x1



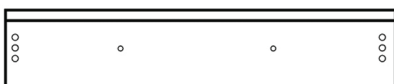
F. Left/Right End Panel x2



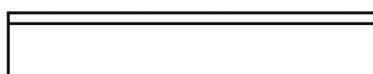
E. Top Panel x1



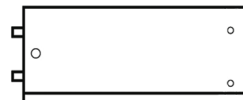
G. Drawer Board x4



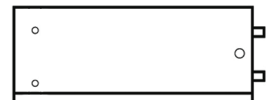
I, Drawer Front x4



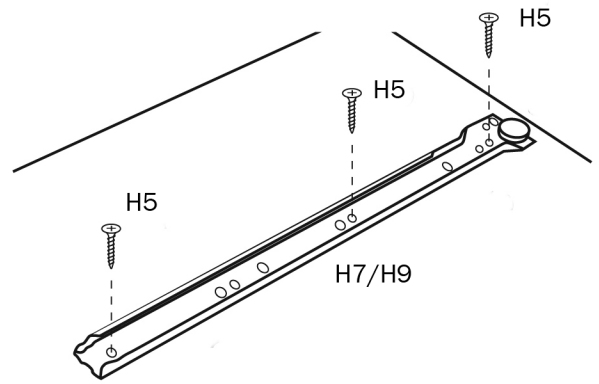
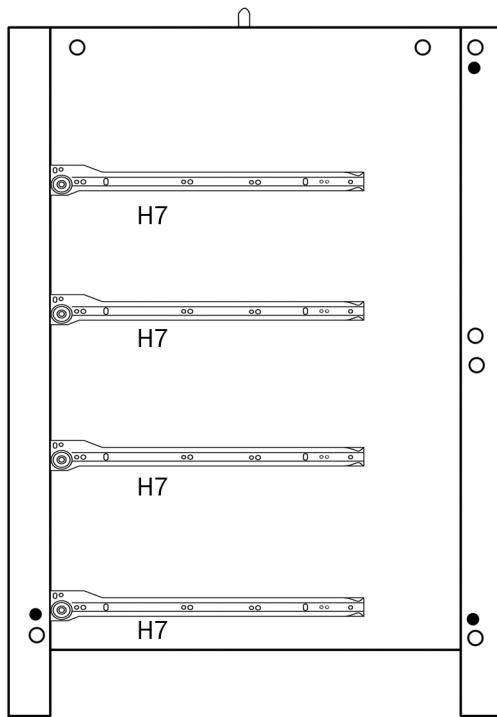
J. Drawer Back x4



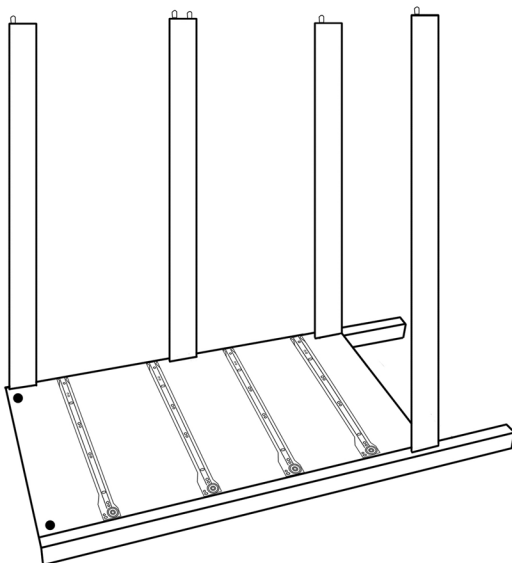
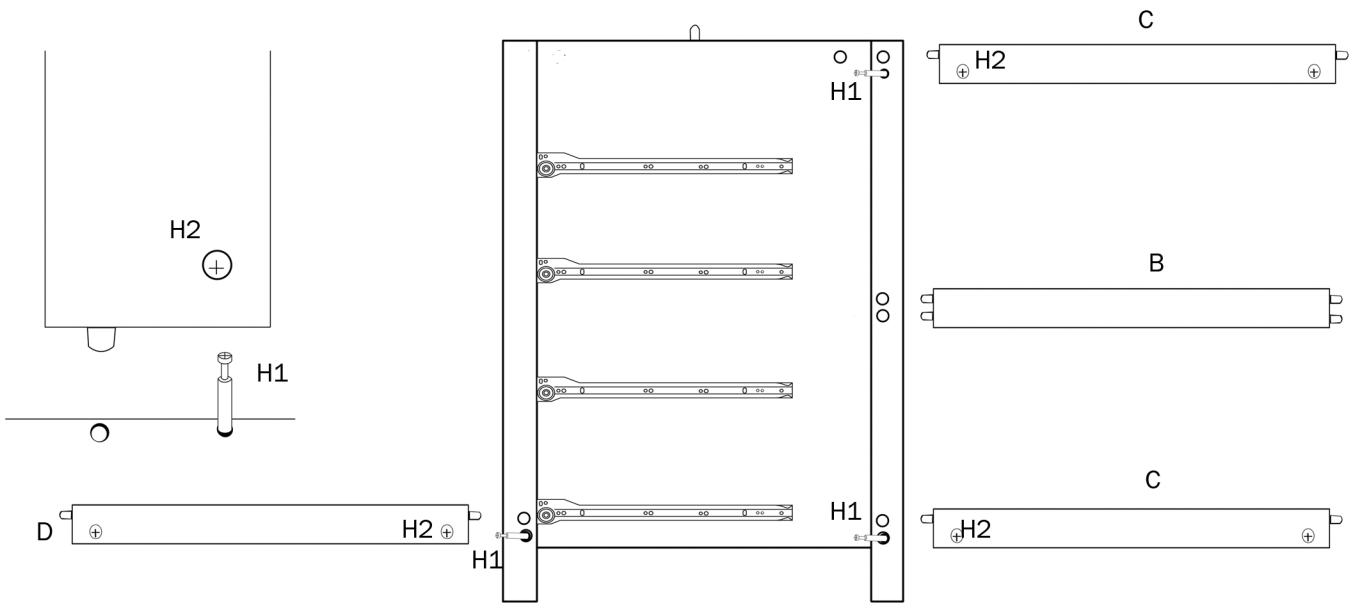
K. Drawer Left x4



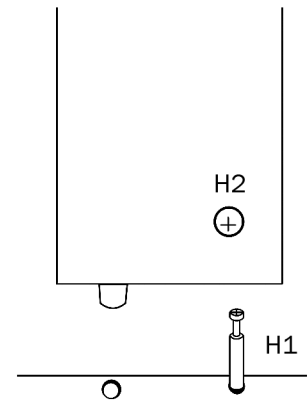
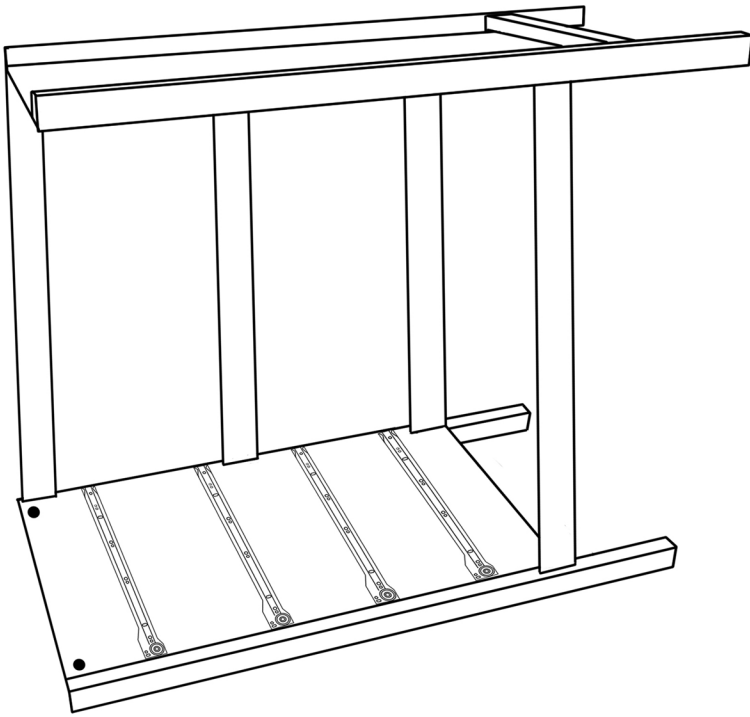
L. Drawer Right x4



**STEP 1:**  
 Attach left panel glides (H9) to left end panel (F) and right panel glides (H7) to right end panel using small wood screws (H5).

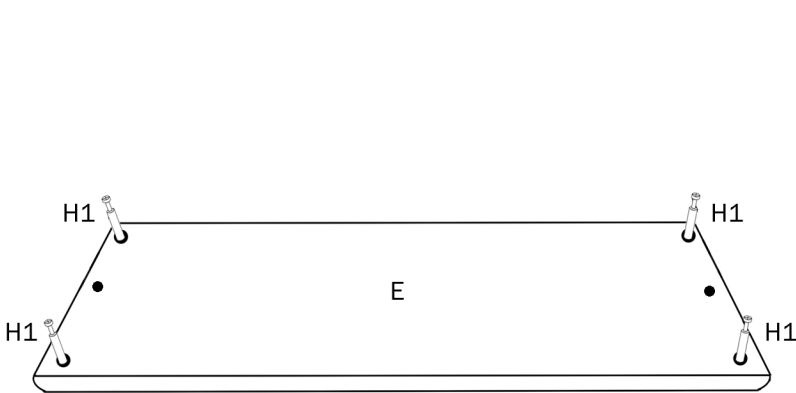


**STEP 2:**  
 Screw in 3 cam bolts (H1) to each end panel (F).  
 Attach rear mid-support panel (B), rear top and bottom support panels (C), and front bottom support panel (D) to left end panel. Tighten using cam locks (H2).



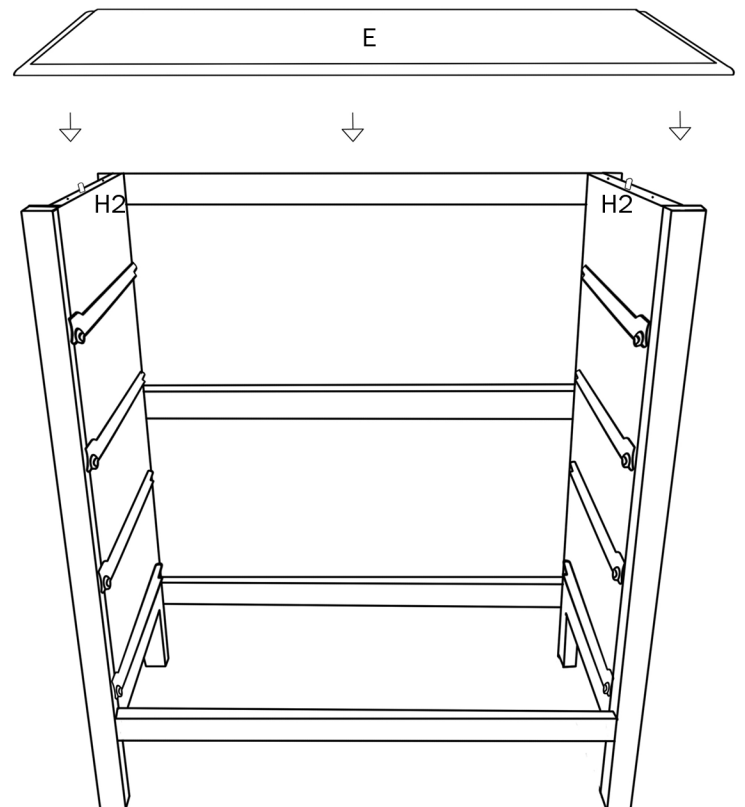
STEP 3:  
Attach right end panel to support panels B, C,  
and D.

Use cam locks (H2) to fasten.

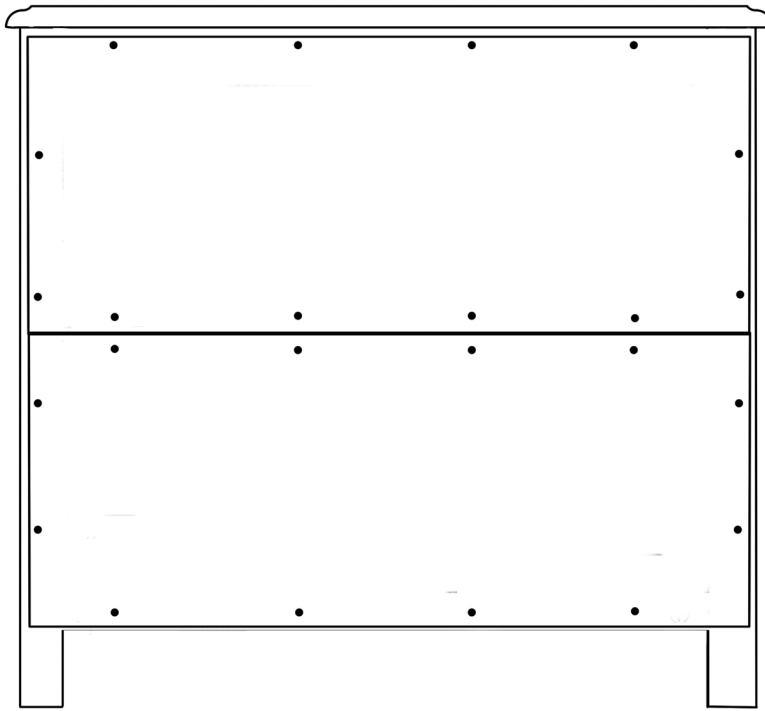


STEP 4:  
Screw in 4 cam bolts (H1) to top panel (E).

Mount top panel to assembled dresser and tighten using cam  
locks (H2).



back view

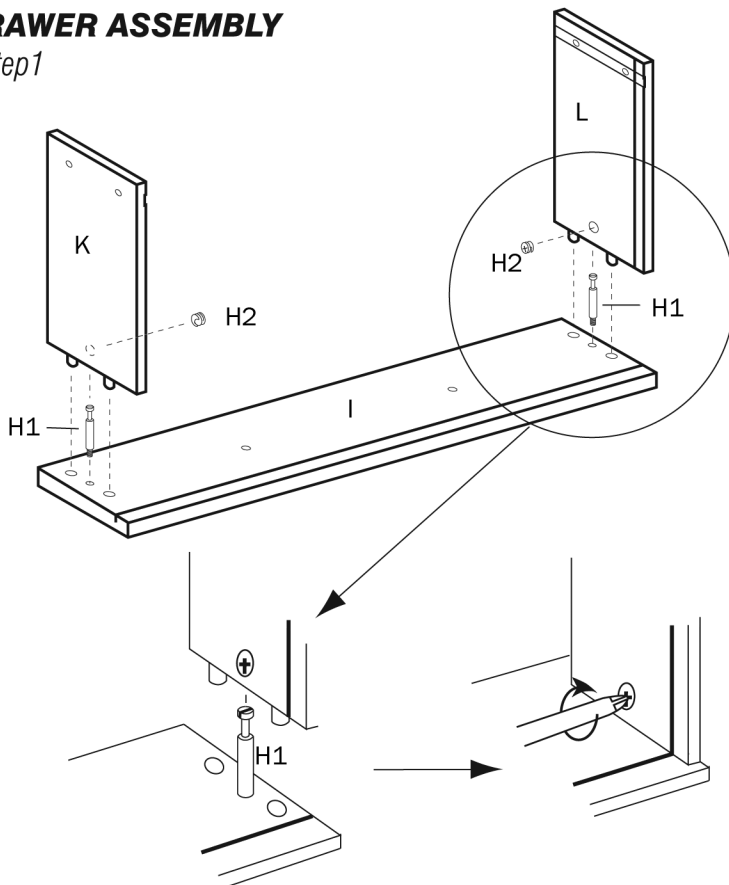


Step 5:  
With small wood screws (H5) install  
back boards A.

*Position of screws are specified in  
the illustration.*

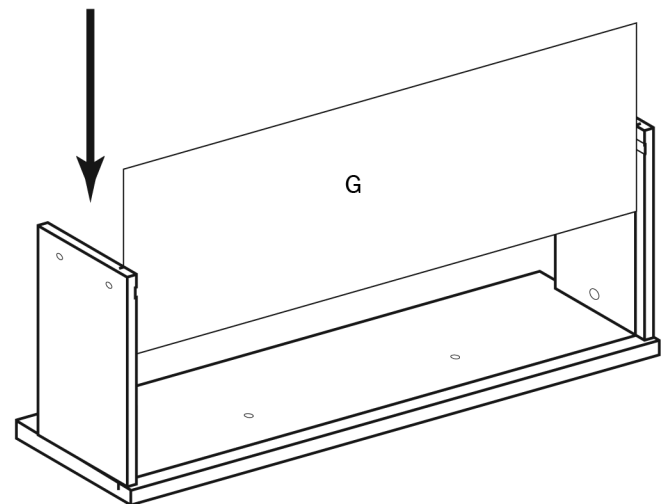
## **DRAWER ASSEMBLY**

**::Step1**



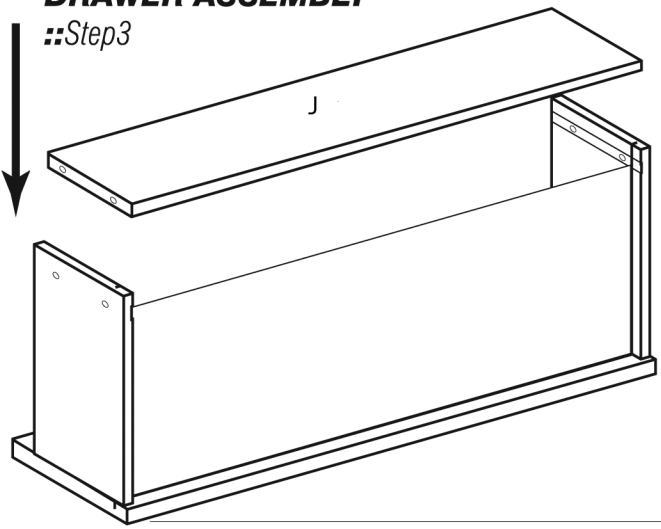
## **DRAWER ASSEMBLY**

**::Step2**



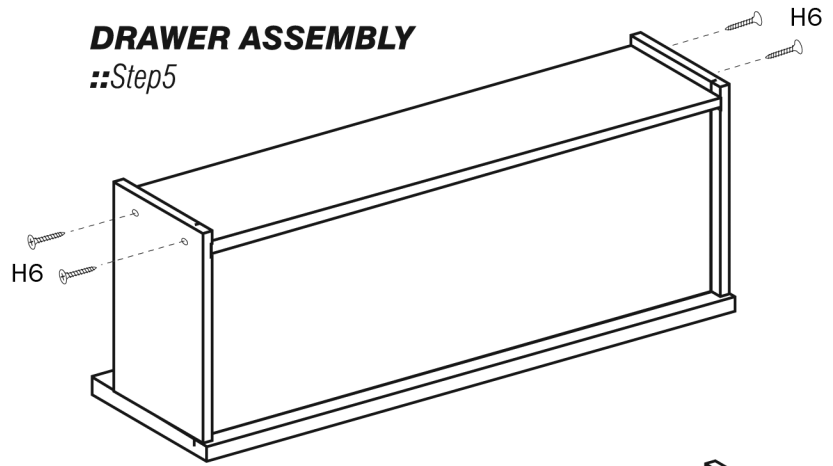
**DRAWER ASSEMBLY**

**::Step3**



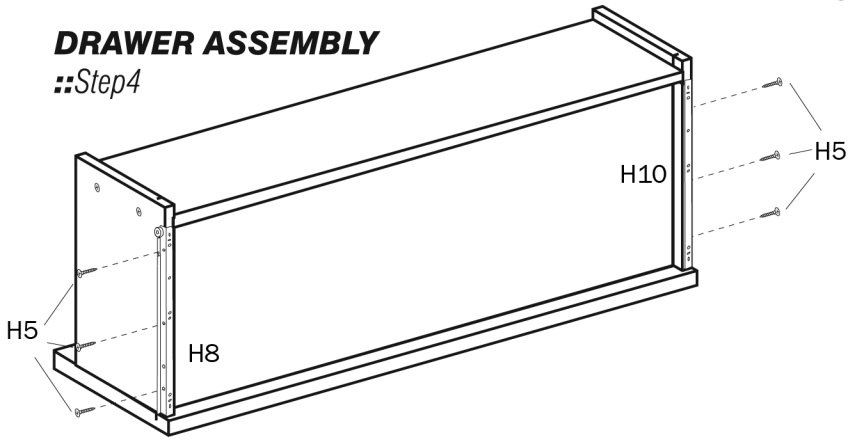
**DRAWER ASSEMBLY**

**::Step5**



**DRAWER ASSEMBLY**

**::Step4**



**DRAWER ASSEMBLY**

**::Step6**

