



model MTGFR.HSC

2000 Series Mounting Frame

FEATURES & BENEFITS

CONSTRUCTION

Constructed of heavy gauge galvanized steel, this frame provides the needed support for the remote chiller portion of the Haws HydrationStation along with added corrosion resistance for long life.

OPTIONS

For more information, visit www.hawesco.com or call (888) 640-4297.



SPECIFICATIONS

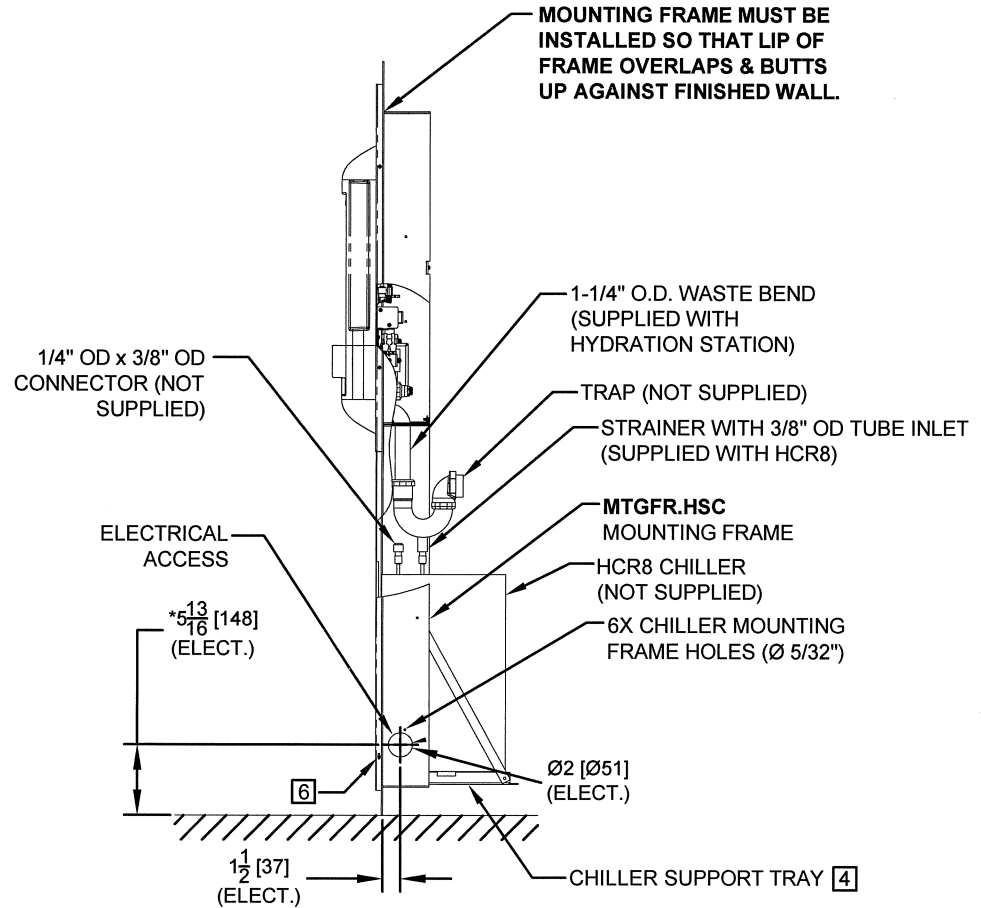
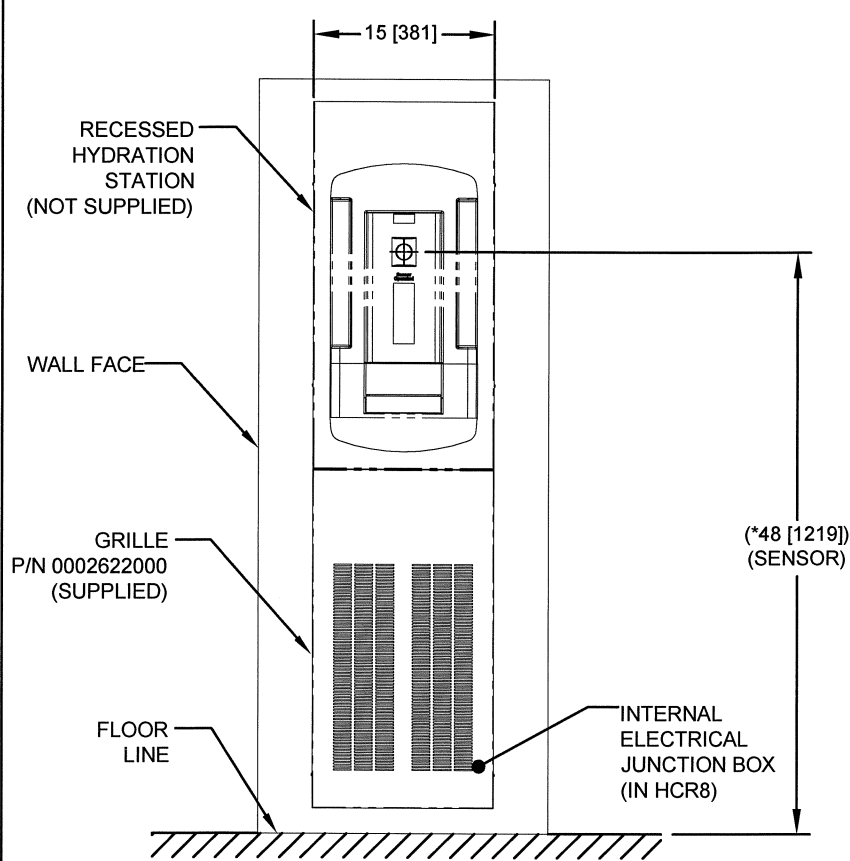
Model MTGFR.HSC, galvanized steel mounting frame with grille allows a remote chiller to be added to the 2000 series bottle filling stations.

APPLICATIONS

Model MTGFR.HSC mounting frame is manufactured of heavy gauge galvanized steel with pre-drilled mounting holes. For use with the Haws bottle filling stations, this mounting frame may be shipped prior to cooler for roughing-in installation.

MOUNTING FRAME INSTALLATION

1. SEE INSTALLATION INSTRUCTIONS RECEIVED WITH HYDRATION STATION AND HCR8 FOR ADDITIONAL PERTINENT INFORMATION. FOR ROUGH-IN, USE THE APPROPRIATE DIMENSIONS SHOWN.
2. HOLD ROUGH-IN DIMENSIONS $\pm 1/8"$ (3.2mm).
3. WHEN INSTALLING THIS UNIT LOCAL, STATE OR FEDERAL CODES SHOULD BE ADHERED TO. FOR DIFFERENT INSTALLATION HEIGHTS OTHER THAN SHOWN, DIMENSIONS MARKED (*) MUST BE ADJUSTED ACCORDINGLY.
4. ALIGN HOLES IN CHILLER SUPPORT TRAY WITH HOLES IN FRAME AND FASTEN IN PLACE WITH #10 SHEET-METAL SCREWS SUPPLIED WITH UNIT.
5. USE NSF-61 3/8" OD TUBING WITH SUFFICIENT PRESSURE RATING TO CONNECT CHILLER AND HYDRATION STATION.
6. TO ATTACH GRILLE TO MOUNTING FRAME, SLIDE 6-32 U-NUTS (SUPPLIED), THREADED PORTION INWARD, OVER MOUNTING TABS ON FRAME. PLACE GRILLE OVER FRAME AND INSERT 6-32 SCREWS (SUPPLIED) THROUGH SLOTS IN SIDE OF GRILLE AND SCREW INTO U-NUTS.

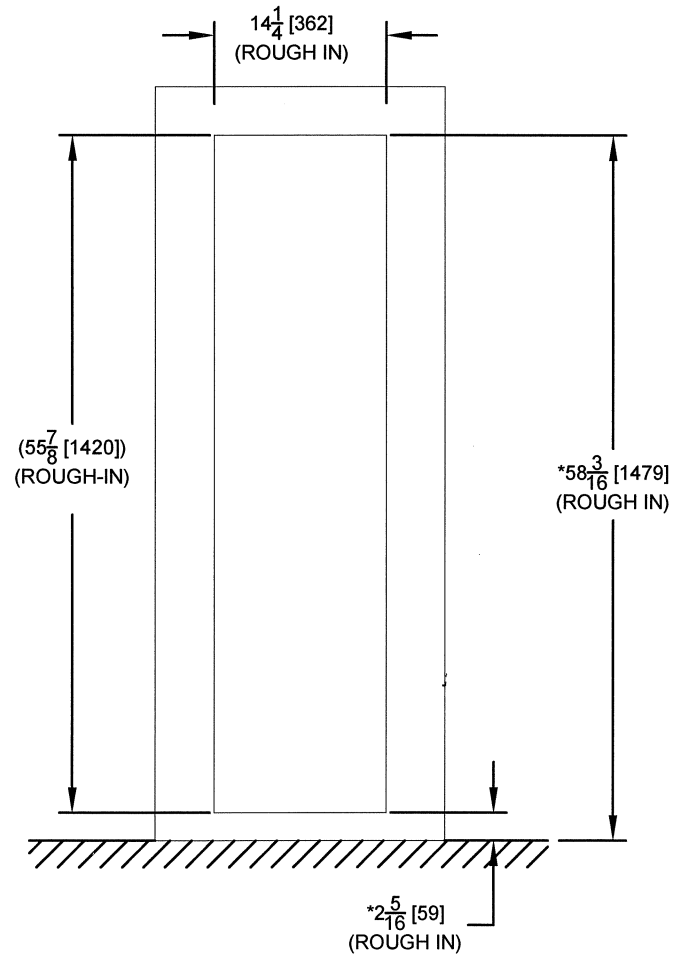
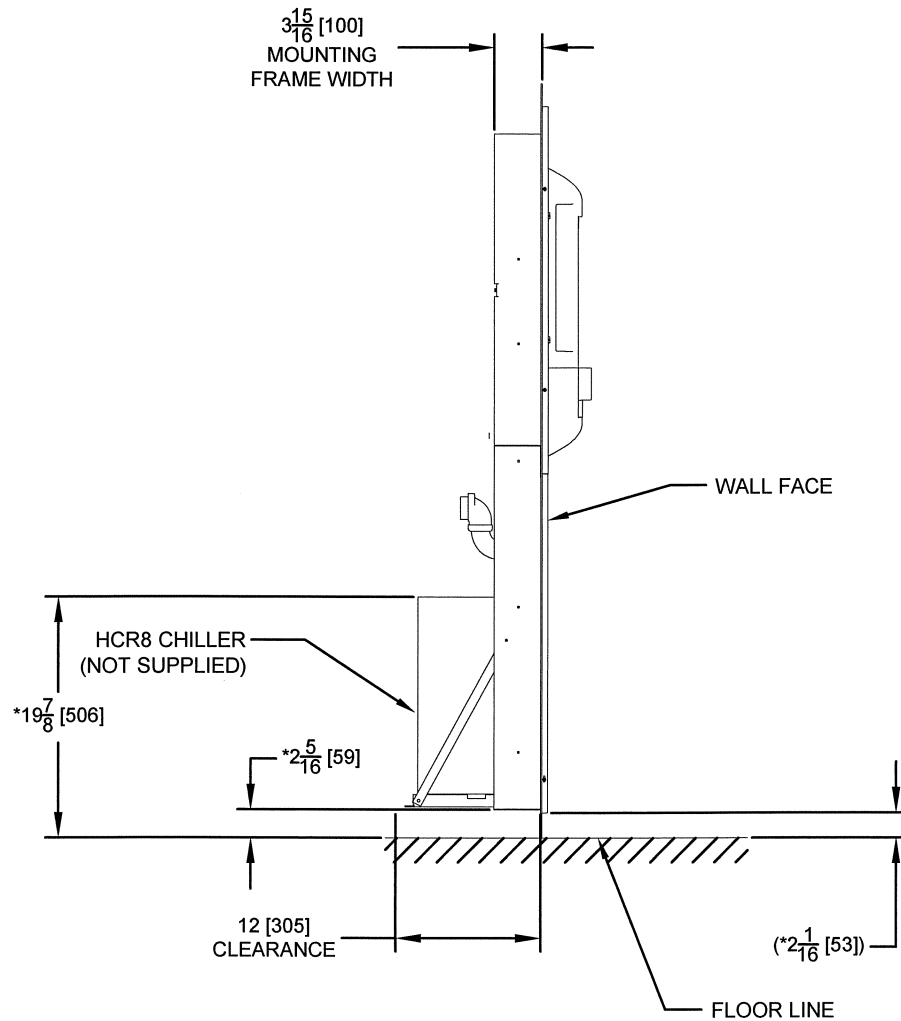




Haws
corporation

1455 KLEPPE LANE
SPARKS, NEVADA 89431
(775) 359-4712 FAX (775) 359-7424
E-MAIL: HAWS@HAWS.CO.COM
WEBSITE: WWW.HAWS.CO.COM

ECN NO. 4310	REVISED PER ECN: 4569	BY: HM	MODEL(S):	PART NUMBER:
DRAWN: B. WILMSATT	DATE: 12/07/09	CHKD:	MTGFR.HSC - 2000 CHILLER MTG FRAME	0002080290
APPROVED:	DATE:	SCALE:	INFO FAX DOC #:	DRAWING NUMBER: 15937A
SCALE: N/A			DRAWING TYPE: INSTALLATION/FAXBACK	REV: 3
				SIZE: A SHEET 1 OF 2



ROUGH-IN VIEW

CHILLER ELECTRICAL INSTALLATION

1. ENSURE ELECTRICAL POWER IS OFF AND POWER MATCHES VOLTAGE, PHASE AND CYCLE LISTED ON CHILLER LABEL.
2. REMOVE FRONT PANEL TO GAIN ACCESS TO INTERNAL JUNCTION BOX.
3. HARD WIRE CHILLER THROUGH ITS SIDE. WIRE IN ACCORDANCE WITH LOCAL, STATE OR FEDERAL ELECTRICAL CODES.
4. REPLACE FRONT PANEL. DO NOT APPLY POWER UNTIL WATER SUPPLY IS CONNECTED AND ON.

		1455 KLEPPE LANE SPARKS, NEVADA 89431 (775) 359-4712 FAX (775) 359-7424 E-MAIL: HAWS@HAWSCO.COM WEBSITE: WWW.HAWSCO.COM	
		ECN NO. 4310 DRAWN BY: B. WIMSA APPROVED: <i>[Signature]</i>	REVISED PER: ECN: 4569 DATE: 12/07/09 DATE: 12/11/11
PART NUMBER: 0002080290 DRAWING NUMBER: 15937A		REV: 3 SIZE: A SHEET 2 OF 2	

Part No. 15937A