



model 6470

Surface-Mount Bottle Filler Drain Kit

FEATURES & BENEFITS

OPTIONS

For more information, visit www.hawesco.com or call (888) 640-4297.



SPECIFICATIONS

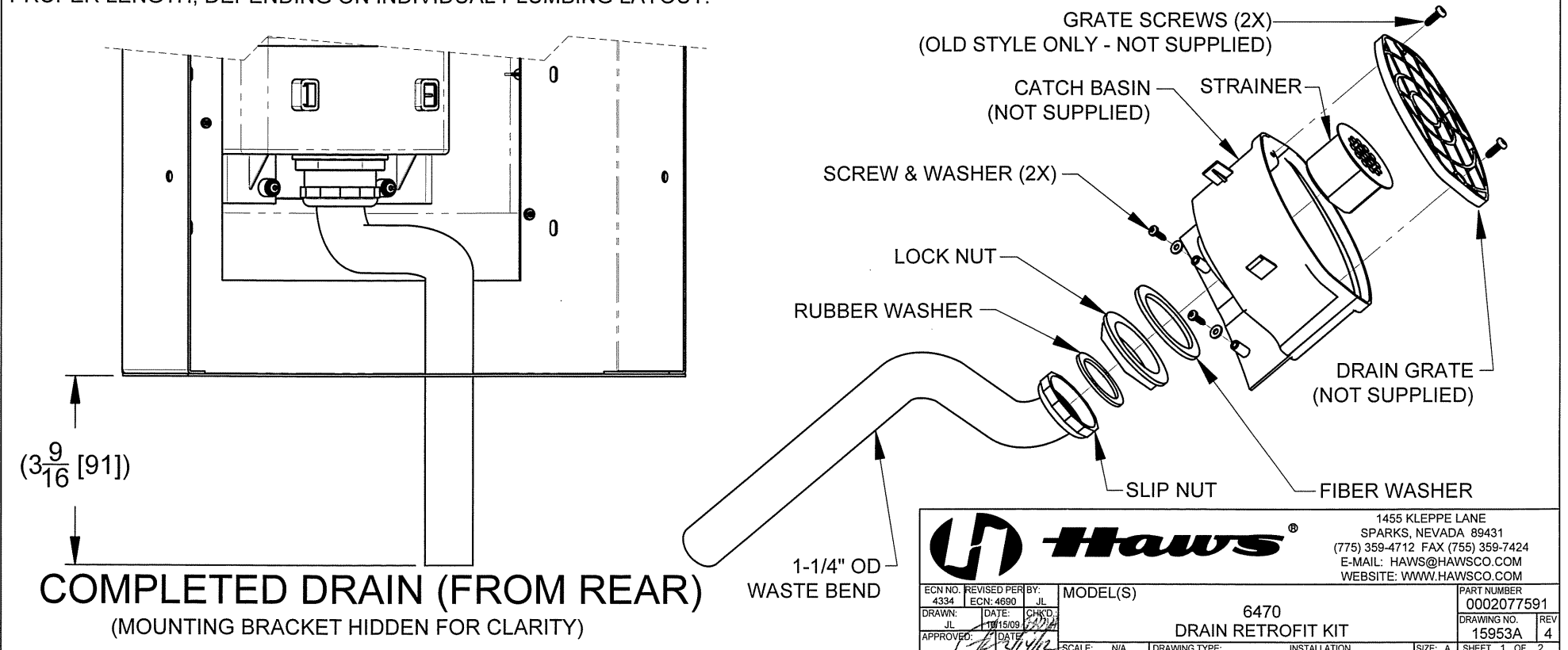
This drain kit allows the 2000SMS to be plumbed to a waste outlet. Drain kit includes waste strainer and 1-1/4" (3.2 cm) OD tailpiece and all accompanying washers/nuts to attach strainer to tailpiece. A trap will not be included. Current design of the drain trays allows for pop-out of drain kit assembly.

APPLICATIONS

- NOTES:**
1. REMOVE THE HYDRATION STATION FROM ITS MOUNTING BRACKET (DISCONNECT ALL WATER AND POWER; UNBOLT THE FOUR SCREWS ON THE TOP AND SIDES) AND REMOVE THE LARGE HOLE PLUG FROM THE BOTTOM. PULL THE DRAIN BASIN OUT OF THE UNIT.
 2. REMOVE THE DRAIN GRATE FROM THE DRAIN BASIN (GRATE MAY HAVE T-20 TORX SCREWS). KNOCK OUT THE CENTER D-HOLE IN THE BOTTOM OF THE DRAIN BASIN. IF NECESSARY, REMOVE EXCESS MATERIAL FROM EDGES OF D-HOLE WITH A KNIFE.
 3. SEE SHEET 2 FOR DETAIL ON SEALING THE SUPPLIED WASTE STRAINER INTO THE DRAIN BASIN.
 4. SLIDE THE SUPPLIED FIBER WASHER OVER THREADS OF THE STRAINER. SCREW THE SUPPLIED LOCK NUT ONTO THE STRAINER AND TIGHTEN UNTIL THE TOP SURFACE OF THE STRAINER IS FLUSH WITH THE BOTTOM OF THE DRAIN BASIN.
 5. REPLACE THE DRAIN GRATE INTO THE DRAIN BASIN.
 6. SLIDE THE SUPPLIED SLIP NUT ALL THE WAY UP THE 1-1/4" OD WASTE BEND AND, WITH THE SUPPLIED RUBBER WASHER IN BETWEEN THE WASTE BEND AND THE WASTE STRAINER, TIGHTEN THE SLIP NUT ONTO THE STRAINER.
 7. RETURN THE DRAIN BASIN INTO ITS PLACE IN THE UNIT. IT IS RECOMMENDED THAT THE SUPPLIED WASHERS AND SCREWS BE USED TO SECURE THE DRAIN BASIN INTO THE UNIT (T-15 TORX SCREWS).
 8. **AUTO-PURGE OPTION:** IF DESIRED, THE UNIT MAY BE SET TO PURGE ITSELF EVERY 24 HOURS OF NON-USE. REMOVE THE COVER FROM THE CIRCUIT BOARD ENCLOSURE INSIDE THE HYDRATION STATION AND DO ONE OF THE FOLLOWING:
 FOR MODELS 2000 & 2000SM: TOGGLE DIP SWITCH #4 ON THE CIRCUIT BOARD DOWN. REPLACE THE COVER.
 FOR ALL OTHER MODELS: TOGGLE "NO PURGE" DIP SWITCH TO "OFF" POSITION.
 9. RE-INSTALL THE HYDRATION STATION ONTO WALL. THE WASTE BEND WILL PROTRUDE OUT THE BOTTOM; IT MAY NEED TO BE CUT TO THE PROPER LENGTH, DEPENDING ON INDIVIDUAL PLUMBING LAYOUT.

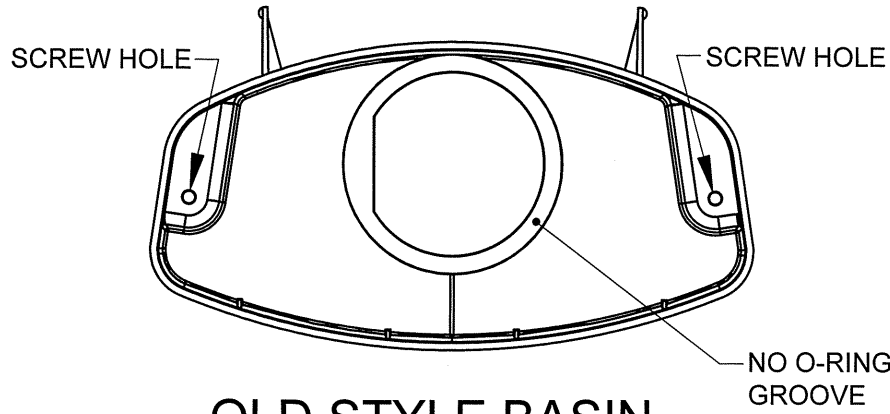
PAGE 1 of 2

PAGE 1 of 2



Haws [®]		1455 KLEPPE LANE SPARKS, NEVADA 89431 (775) 359-4712 FAX (755) 359-7424 E-MAIL: HAWS@HAWS.CO.COM WEBSITE: WWW.HAWS.CO.COM	
ECN NO. 4334	REVISED PER BY: JL	MODEL(S)	PART NUMBER
DRAWN: JL	DATE: 11/15/09	6470	0002077591
APPROVED: JL	DATE: 11/15/09	DRAIN RETROFIT KIT	DRAWING NO. 15953A
SCALE: N/A	DRAWING TYPE: INSTALLATION	SIZE: A	SHEET 1 OF 2

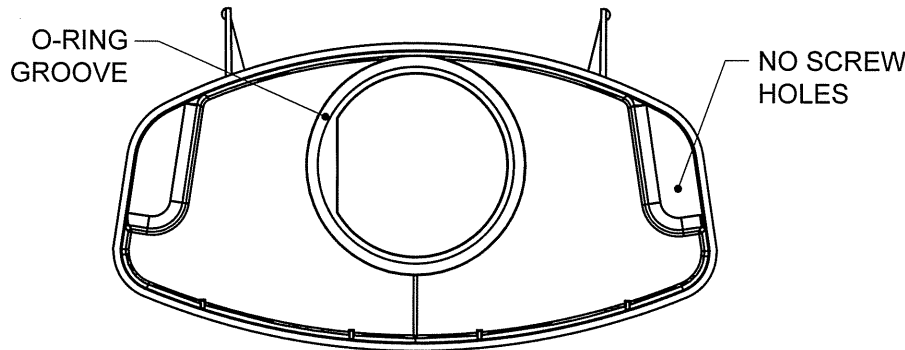
DRAIN STRAINER SEALING 3



OLD STYLE BASIN

USE PLUMB GUM (NOT SUPPLIED) TO SEAL

APPLY PLUMB GUM OR PLUMBER'S PUTTY (NOT SUPPLIED) AROUND THE BEVELED FLANGE OF THE STRAINER. INSERT THE STRAINER INTO THE D-HOLE OF THE DRAIN BASIN SUCH THAT THE THREADED PORTION PROTRUDES FROM THE BOTTOM.

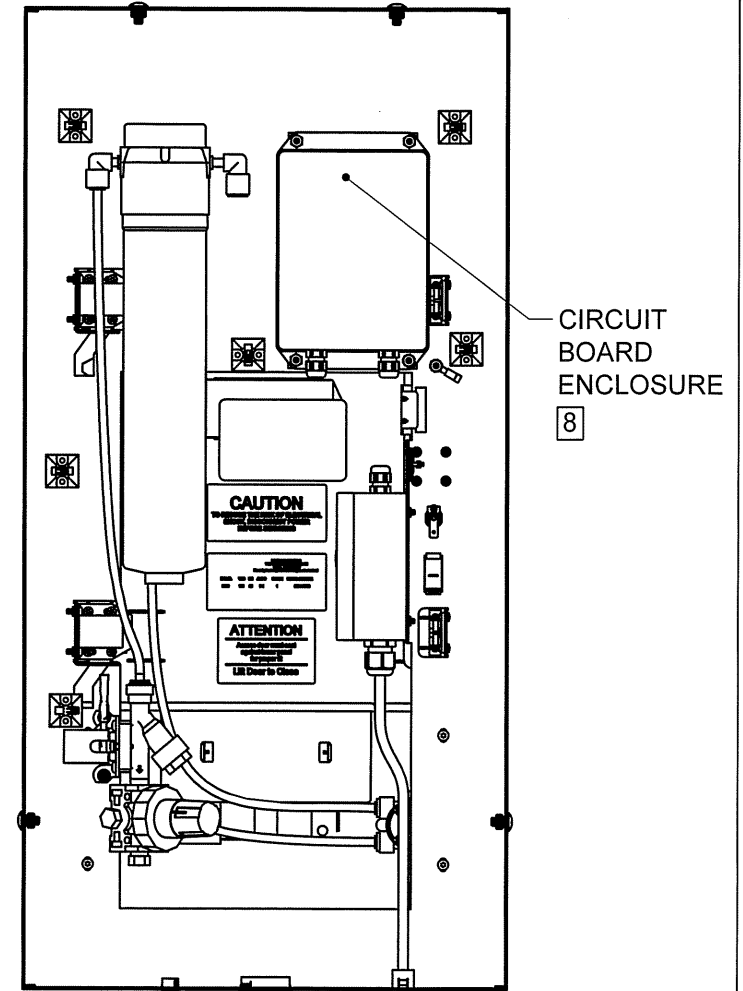


NEW STYLE BASIN

USE SUPPLIED O-RING TO SEAL

COAT SUPPLIED O-RING WITH DOW CORNING 111 SILICONE (SUPPLIED). PLACE O-RING INTO INDICATED GROOVE ON THE DRAIN BASIN. INSERT THE STRAINER INTO THE D-HOLE OF THE BASIN SUCH THAT THE THREADED PORTION PROTRUDES FROM THE BOTTOM.

HYDRATION STATION (REAR VIEW)



		1455 KLEPPE LANE SPARKS, NEVADA 89431 (775) 359-4712 FAX (775) 359-7424 E-MAIL: HAWS@HAWS.CO.COM WEBSITE: WWW.HAWS.CO.COM	
		ECN NO. 4334 DRAWN: JL APPROVED: JL	REVISED PER BY: JL ECN: 4690 DATE: 1/15/09 CHKD: JL
SCALE: N/A		DRAWING TYPE: INSTALLATION	SIZE: A SHEET 2 OF 2