

Contact Us

ALLSTAR Heating

College Green,  
Claremorris,  
Co. Mayo

Phone: 094 93 77822

Email: [info@allstarheating.ie](mailto:info@allstarheating.ie)

Web: [www.allstarheating.ie](http://www.allstarheating.ie)



# Fraser Stove

## Installation & Operating Instructions



ALLSTAR Heating

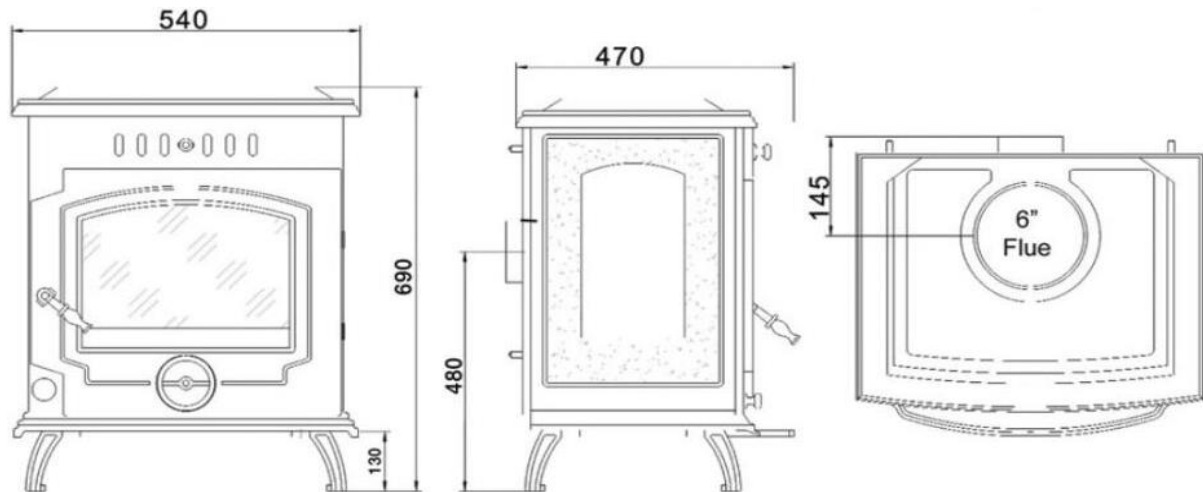
College Green,  
Claremorris,  
Co. Mayo

# Table of Contents

<b>Technical Data</b>	Pg3
<b>Technical Data Table</b>	Pg3
<b>General Information</b>	Pg4
Installation Requirements	
Chimney Requirements	
Air Supply/Ventilation	Pg5
<b>Distance to Combustibles</b>	Pg5
<b>External Surface Cleaning</b>	Pg5
<b>Glass Cleaning</b>	Pg5
<b>Safety information</b>	Pg6
Chimney Fire	
<b>Other Safety Information</b>	Pg6
<b>Operating Instructions</b>	Pg7
<b>Primary air control/ air wash damper</b>	Pg7
Lighting the fire	
Fuels	
<b>Troubleshooting</b>	Pg8

# Technical Data:

## Fraser Stove Dimensions



Please ensure a qualified person completes the Installation and that all Local Building Regulations are fully adhered to.

It is critical that your Allstar Heating stove is correctly installed, as Allstar Heating cannot accept responsibility for any fault arising through incorrect use or installation.

## Fraser Technical Data Table:

Technical Date	Multi Fuel
Total efficiency	70%
Nominal Heat Output	8 Kw
Mean CO emissions (% , @ 13% O2)	
Wood Logs	0.42
Flue Diameter	150mm
Technical Data according to EN 13240:2001	
Recommended chimney draught 12 Pa	

# General Information

Before you install your Allstar Stove these instructions should be read carefully. Ensure to keep these instructions for future reference.

## Installation Requirements

Installation must always be completed in accordance with current building regulations, <http://www.housing.gov.ie/housing/building-standards/tgd-part-j-heat-producing-appliances/technical-guidance-document-tgd> and by a competent qualified person preferably HETAS approved installer, <https://www.hetas.co.uk/find-installer/>. It should be noted that it is the responsibility of the Installer / Householder to ensure that the stove is properly commissioned. Failure to do so may invalidate the warranty. Incorrectly installed stoves can cause serious accidents such as chimney fires or damage to insulation materials in partition walls and or roofs or ceilings.

## Chimney Requirements

Under no circumstances should you install an Allstar stove into a chimney that serves any other heating appliance.

In order for the stove to have sufficient draw to perform satisfactorily, a height of 4.5m from the hearth to the top of the flue with no horizontal sections and a maximum of four bends. Bends must have angles of less than 45 degrees from the vertical. The chimney should not have an excessive cross-sectional area and should be in good condition without any cracks or blockages. The advice of an expert should be obtained in relation to having the chimney lined, if deemed necessary by an expert a suitable lining for a solid fuel stove must be used. The internal diameter must not be less than 150mm.

Any flue liner and or adaptors must be fitted strictly to manufacturer's installation instructions and comply with current building regulations, <http://www.housing.gov.ie/housing/building-standards/tgd-part-j-heat-producing-appliances/technical-guidance-document-tgd>

It is also necessary to check and clean the chimney flue before connection to the stove. There may be a need to fit a draft stabilizer if an excessive draught exists, advice should be sought from an expert on draft conditions. The chimney should be swept once per year; any flue liner used should be installed in accordance with manufacturer's instructions.

## Air Supply / Ventilation

It is essential that you provide an adequate air supply for safe and efficient operation of your stove. The air supply will ensure efficient combustion. Failure to do so could result in smoke filling the room or blackening of glass.

It is recommended that a permanent air vent be fitted if not already in position. The vent should have an effective area of 550mm<sup>2</sup> per KW of rated output above 5kw. In some installation conditions, under 5Kw output stoves will have sufficient air for combustion from natural draughts from doors and windows.

It is recommended to seek expert advice on the air supply/ventilation for your installation to achieve the best performance from your Allstar stove. If an air vent is fitted it must not be obstructed for any reason when the stove is in use. An extractor fan should not be fitted in the same room as the stove as fumes may emit into the room.

## Distance to combustibles

The Daisy stove operates at high temperatures and is designed for installation into an existing fireplace or where twin wall flue pipes can be fitted. For safe operation of your Allstar stove there are minimum distances to combustible materials, including wood and plasterboard that must be adhered to at all times. Safe distances to combustible materials should be adhered to as per Part J of the current building regulations. Ideally, adjacent walls should be of suitable non-combustible construction, preferably brickwork. In large fireplaces take care that any supporting beam is protected by a 13mm (0.5") thick sheet of Master board /Supalux spaced 13mm (0.5") off the surface with strips of non-combustible material. Make sure that there is a gap between an un-insulated flue system and any combustible material. This gap must be at least 3 times the outside diameter of the flue pipe, or 1.5 times the flue diameter to non-combustible surfaces. The stove should be installed on a solid non-combustible base; this base should extend 350mm from the front of the stove and as per building regulations Part J.

## External Surface Cleaning

It is best to clean the matt finish stove with a brush attachment on a vacuum cleaner, while an Enamel finish stove can be cleaned with a damp cloth. Strong abrasive utensils or strong detergents should never be used. Always ensure the stove is cold before cleaning.

## Glass Cleaning

The stove is designed with an air wash, the function of which is to reduce deposits on the glass. Where there is sufficient heat generated from the fire the air wash system should keep the glass clean providing the correct fuels are used. We recommend that the glass is cleaned before each use with a little stove glass cleaner and a soft cloth taking care not to scratch the glass.

# Safety Information

## **Chimney Fire**

In the unlikely event of a chimney fire close the air controls immediately, evacuate the building and call the Emergency services. Do not re-enter the building until you have been advised by the fire service that it is safe to do so. Ensure the stove is not used again until the chimney has been swept and the stove, chimney and flue have been inspected by a qualified competent person.

## Other safety information

1. The appliance should never be used as an incinerator.
2. It is the responsibility of the home owner to install two carbon monoxide alarms upon installation of the stove.
3. Non-recommended fuels including liquid fuels should never be used.
4. The appliance, in particular the surfaces will be hot to touch when in use and due care should be taken.
5. The handle is designed not to get overly hot when the appliance is in use. However, Allstar Heating still recommend using the glove provided to open and close the door.
6. Allstar Heating also recommend the use of an appropriate fire guard when children, the aged or infirm are present.
7. No unauthorized modifications should be made to this appliance.
8. Only recommended replacement parts from the manufacturer should be used.

# Operating Instructions

## **Primary Air Control/ Air wash damper**

The primary air control/ air wash damper is located on the top of the door. Rotate the damper left and right to open the primary air which allows air into the stove.

In sliding this handle left and right while starting your fire will allow sufficient air into the stove for maximum combustion. Slide the handle left to reduce the air flow.

## **Lighting the Fire**

Ensure the inside of the stove has been properly cleaned out and that all ash has been removed. Ensure the ash pan has been emptied and the ash pan compartment is clear of any dead ash. Open the primary air control/ air wash damper to its maximum. Place some firelighters on the grate and build up with some kindling and some larger logs. As the fire establishes itself add your fuel and close the door. You can adjust the primary air control/air wash damper as required. However, ensure the damper is never fully closed as the glass will darken over.

## **Fuels**

Allstar Heating recommend seasoned logs, kiln dried logs, compressed logs such as Allstar Eco logs, turf and briquettes. It is critical that fuel is as dry as possible before use as poor-quality fuel will emit less heat as well as damaging your stove and chimney. Do not burn bituminous coal, 'petro-coke', smokeless coal or other petroleum based fuels as this will invalidate the product warranty.

# Troubleshooting

Issue	Probably caused by	Actions required
<p>I am having trouble lighting a fire in my stove.</p> <p><u>OR</u></p> <p>Fire is not burning very well</p>	<ul style="list-style-type: none"> <li>• Poor quality Fuel</li> <li>• Unseasoned logs</li> <li>• Logs are too big</li> <li>• Insufficient air</li> <li>• Insufficient draw on chimney</li> </ul>	<ul style="list-style-type: none"> <li>• Use recommended fuel</li> <li>• When starting the fire, use small, very dry kindling.</li> <li>• Use eco logs, kiln dried logs</li> <li>• Open the air control to allow more air into stove</li> <li>• Vacuum out any ash which may have fallen down the side of the ash pan</li> <li>• Get chimney swept to ensure nothing is obstructing the flue.</li> </ul>
<p>My fire is burning too quickly</p>	<ul style="list-style-type: none"> <li>• Too much draft</li> <li>• Excessive draw on chimney</li> <li>• Poor quality fuel</li> <li>• Fire rope has become loose</li> </ul>	<ul style="list-style-type: none"> <li>• Close down the air control to reduce air intake</li> <li>• Look at installing an appropriate cowl to reduce chimney draw</li> <li>• Ensure quality fuel is used as opposed to soft wood and off cuts of timber.</li> <li>• Check the fire rope seal around door and ensure it is fitted tightly.</li> </ul>
<p>Fire Smokes when burning</p>	<ul style="list-style-type: none"> <li>• Insufficient draft</li> <li>• Down draft</li> <li>• Poor ventilation</li> </ul>	<ul style="list-style-type: none"> <li>• Ensure chimney flue is not blocked. Should be swept if there is any doubt.</li> <li>• Install anti down draught cowl</li> <li>• Ensure there is sufficient ventilation in room to feed the fire.</li> </ul>
<p>Lower than expected heat output</p>	<ul style="list-style-type: none"> <li>• Incorrect fuel type</li> </ul>	<ul style="list-style-type: none"> <li>• Use the recommended fuel for the stove of less than &lt;20% moisture.</li> </ul>