

# ZENITH TABLE STONE

DESIGN MASSIMO CASTAGNA

CASA  
DESIGN  
GROUP



## STRUCTURE

Internal structure in steel. Carter covered with stone from our range

## TOP

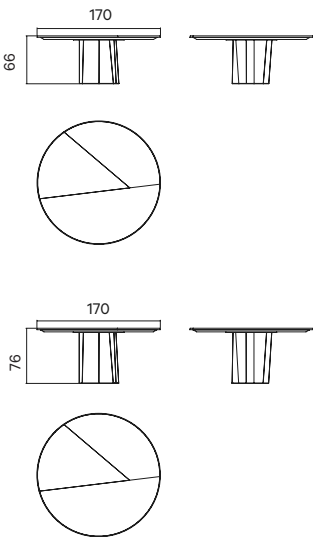
Stones as per our samples (Titanio stone excluded).

## TECHNICAL DATA

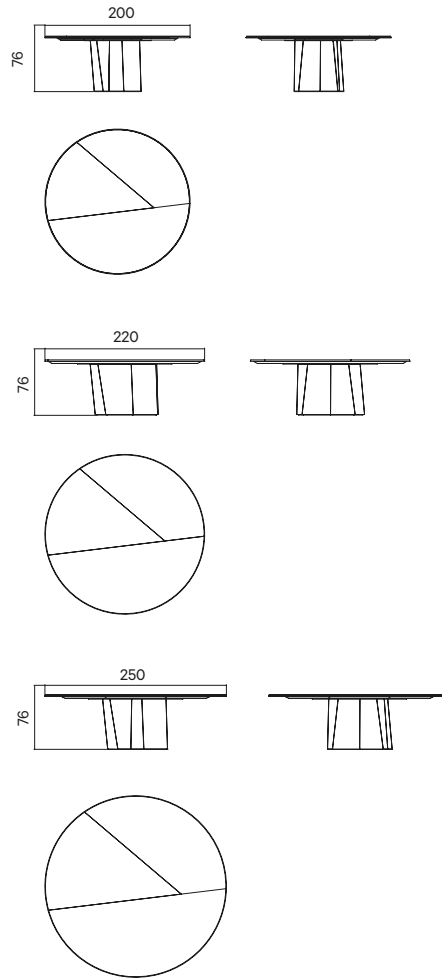
Ø cm 170x66h  
Ø cm 170x76h  
Ø cm 200x76h  
Ø cm 220x76h  
Ø cm 250x76h

Size can be customized.

## TECHNICAL DRAWINGS



## TECHNICAL DRAWINGS



## CARE AND MAINTENANCE OF MARBLE/STONE

Marble is crystalline limestone rock composed primarily of calcium carbonate. As a natural material, colour variations, whether overall or in the veins and marks even within the same slab, are considered characteristic. The product may change by itself, acquiring an appearance that makes it all the more prized and unique the more it shows signs of age. Over time, such surfaces may deteriorate and/or mark (marks bring more noticeable with a pale colour). It is therefore advisable to avoid leaving cleaning products or household liquids (oil, red wine, vinegar, etc.) on the surface. In particular, products that contain citric acid (present for example in fruit, citrus fruit and tomatoes) act on contact with the treated surface, removing its original sheen. Always clean stains on surfaces while they are still fresh. To reduce risk, we treat the marble according to the most advanced waterproofing technology. Yet even the best waterproofing treatment, such as the one we apply, becomes less effective normally after two or three months, depending on your use of the surface. Therefore it is very important to renew the treatment regularly using the recommended product supplied. To apply this, carefully follow the instructions printed on the package, bearing in mind however, that the treatment does not make the surface immune to the effects of acidic substances (such as lemon juice). For routine maintenance use a microfiber cloth with a neutral pH detergent (water alone is enough for flamed finishes). Do not use products containing acids or limescale removing substances.

Specific cleaner and care kit for our stones, including specific products and accessories is available upon request.