

Virus

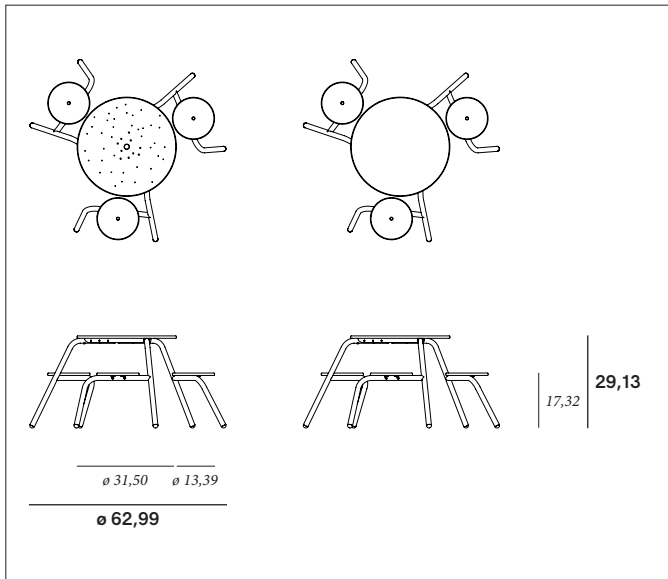
© design by Dirk Wynants

3-seater
4-seater
5-seater

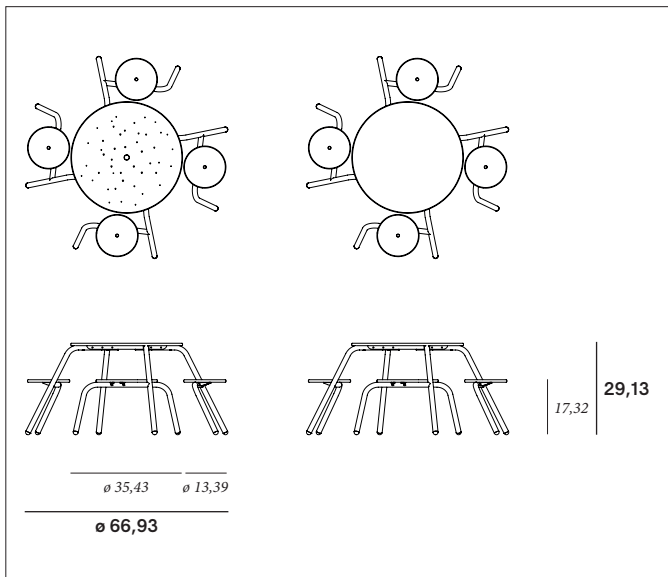
Backrest
Cushion
Floor fastening



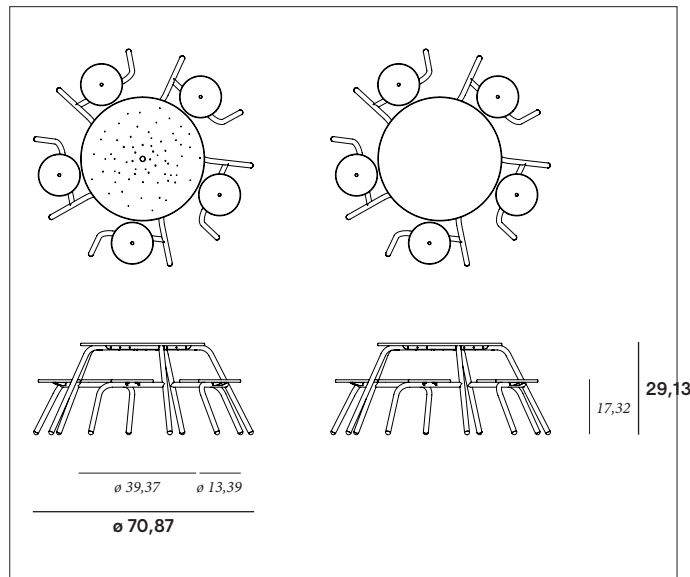
3-seater



4-seater

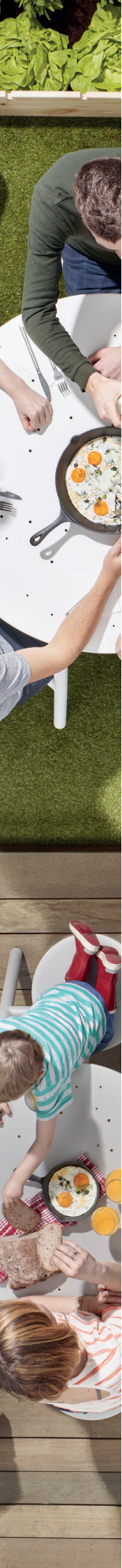


5-seater



The content of this document, in particular the mentioned models, is protected by copyrights and/or design rights. The present document and its content is communicated to you for information purposes only. Any partial or total reproduction or any other use without our prior written permission is strictly prohibited. This technical sheet remains subject to possible changes. **All dimensions are in inch**, unless mentioned otherwise. Extremis is not responsible for the errors in the documentation of products. All measurements are approximate and are provided for informational purposes only.

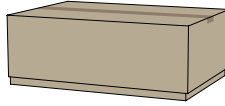
**Tech
sheet**
20200304



BOX 1: TABLETOP + MOUNTING KIT



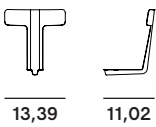
BOX 2: LEGS + SEATS



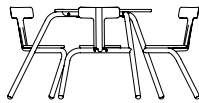
Max volume: **up to 10 legs with seats per box 2:**
18,72 ft³ | Gross weight: 140,65 lb | Net weight: 128,26 kg

Box dimensions (inch)		L	W	H	Qty (#)	Volume (ft ³)	Gross weight (lb)	Net weight (lb)	Packaging weight (lb)
Virus 3-seater	Box 1	31,50	31,50	2,76	1	1,77	36,60	32,63	3,97
	Box 2	44,88	31,10	14,76	1	12,01	50,68	38,29	12,39
					total:	13,77	87,28	70,92	16,36
Virus 4-seater	Box 1	35,43	35,43	2,76	1	2,12	43,21	39,24	3,97
	Box 2	44,88	31,10	14,76	1	12,01	63,54	51,10	12,39
					total:	14,13	106,75	90,35	16,36
Virus 5-seater	Box 1	39,37	39,37	2,76	1	2,47	52,03	47,62	4,41
	Box 2	44,88	31,10	17,72	1	14,48	76,39	64,00	12,39
					total:	16,95	128,42	111,62	16,80

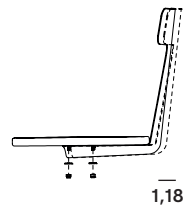
Backrest



14,57



H

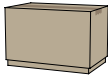


Dimensions (inch)	L _{position 1}	L _{position 2}	H	ø _{position 1}	ø _{position 2}
Backrests on 3-seater	/	/	29,92	64,72	65,91
Backrests on 4-seater	/	/	29,92	68,66	69,84
Backrests on 5-seater	/	/	29,92	72,60	73,78

assembly position 2: lean back - allows more body depth

assembly position 1: standard

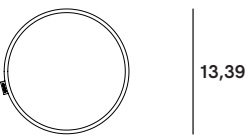
BOX 3: BACKREST



Max volume: **up to 10 backrests per box 3:**
2,47 ft³ | Gross weight: 43,87 lb | Net weight: 42,11 lb

Box dimensions (inch)	L	W	H	Qty (#)	Volume (ft ³)	Gross weight (lb)	Net weight (lb)	Packaging weight (lb)
Backrest (1 pc)	21,26	13,39	12,60	1	2,12	5,97	4,21	1,76

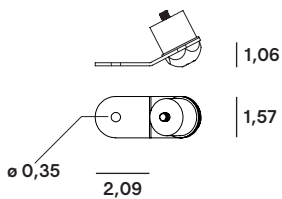
Cushion



The optional cushions are delivered inside the box with the legs & seats:

0,68 lb / pc

Floor fastening



The optional floor fastening is delivered inside the box with the legs & seats:

0,29 lb / pc

Materials & colors



Materials	Key facts	Thickness inch	Layer thickness micron	Density	In/outdoor	Water	UV colour fastness	Flame retarding
Structured powder-coated ZnAlMg steel tabletop & seat	<ul style="list-style-type: none"> A technique of applying dry paint to a part Electrostatically charged and sprayed onto the object More scratch-resistant than non structured powder-coating 	0,06	60	0,47 10 ³ lb/ft ³	Outdoor & indoor	n.a.	Very good: colour can fade to some extent when exposed to UV	NEN-EN 13501-1 A2-s1 **
Structured powder-coated electro galvanized steel tabletop frame	<ul style="list-style-type: none"> Easy to clean Electro galvanized (for an extra protection against rust), then powder-coated More scratch-resistant than non structured powder-coating 	0,16	100	0,47 10 ³ lb/ft ³	Outdoor & indoor	n.a.	Very good: colour can fade to some extent when exposed to UV	NEN-EN13501-1 A1 *
Structured powder-coated steel tabletop frame (only for 2-seater)	<ul style="list-style-type: none"> Easy to clean More scratch-resistant than non structured powder-coating 	0,08	80	0,50 10 ³ lb/ft ³	Outdoor & indoor	n.a.	Very good: colour can fade to some extent when exposed to UV	NEN-EN13501-1 A1 *
Structured powder-coated stainless steel legs	<ul style="list-style-type: none"> Easy to clean Stainless steel (for protection against rust), then powder-coated More scratch-resistant than non structured powder-coating 	0,08	80	0,50 10 ³ lb/ft ³	Outdoor & indoor	n.a.	Very good: colour can fade to some extent when exposed to UV	NEN-EN13501-1 A1 *
Woolfelt cushion	<ul style="list-style-type: none"> 100% wool felt Polyether foam filling 	0,08	n.a.	175 oz/ft ³	Store indoors	n.a.	(ISO 105-B02: 2014)	/
Stainless steel AISI 316 floor fastening	<ul style="list-style-type: none"> High rust resistance Periodical maintenance required 	0,06	n.a.	0,50 10 ³ lb/ft ³	Outdoor & indoor version	n.a.	Very good	NEN-EN13501-1 A1 *

* NEN-EN13501-1 A1

Class A1 products will not contribute to fire in any stage, including fully developed fire. For this reason, they are assumed to be capable of satisfying all requirements of all lower classes as well.

** NEN-EN13501-1 A2-sl

Satisfying the same criteria as class B for the SBI-test according to EN 13823. In addition, under conditions of a fully developed fire these products will significantly contribute to the fire load a fire growth.

Warnings

General

- Do not use any sharp tools to open the packaging.
- We strongly advise against using power tools.
- Tripping hazard, mind your step.
- Do not put out cigarettes on the table.
- Not graffiti proof.
- Do not leave children unattended whilst playing on the table.
- To avoid danger of suffocation, keep plastic bags away from babies and children.
- Colours can differ over years and from batch to batch.

people.

- Anchoring the product has to be done by qualified people.
- For anchoring: use suitable bolts or screws from a specialized store depending on the material your terrace is made of.
- Stackable up to 3 pieces and protect with blankets.
- Always stack the tables with 2 people.
- Do not sit on the tabletop.
- Max. 1 person or 264,55 inch per seat.

- Colour can fade to some extent when exposed to UV.
- Flame retarding - NEN-EN13501-1 A2-sl - Satisfying the same criteria as Class B for the SBI-test according to EN13823. In addition, under conditions of a fully developed fire these products will not significantly contribute to the fire load and fire growth.
- Dark colors can get very hot in sunny weather.

Product

- Do not stand or jump on the table.
- Do not drag the table, but carry it with minimum 2

Powder-coating

- White powder-coating requires more maintenance.
- Do not use abrasive scouring powders or scourers as they will scratch the surface.

Felt

- Stains should be removed immediately with a clean, soft cloth, particularly in case of dark-coloured liquids such as wine, ink, coffee, coke, oil and bird droppings. If left to dry, these liquids may cause permanent damage!
- Do not bleach to clean.

Applications

Residential: Virus is the solution we came up with while designing compact furniture for urban patios, rooftop terraces and balconies. The design responds to the trend for smaller living. The number of seats is variable, so Virus adapts to the number of family members. Perfect for city dwellers!

Project: For hospitality or corporate lunch areas, indoor and outdoors. Create a landscape of Viruses with matching colours, in different sizes. There is an ideal Virus table for every gathering.

Good to know

- Acquiring a Virus table is space saving. Virus requires only the exact space that is needed for a company of 3, 4 or 5 people. The identical seating frame is configured around a tabletop that fits exactly what you need for a simple lunch or breakfast. Nothing more, nothing less.
- There is a version with a flat tabletop and a version with drainage holes & a parasol hole of $\varnothing 38$ mm.
- Virus combines perfectly with Acacia or Inumbrina $\varnothing 250$, $\varnothing 320$ (only with parasol foot).



Fun fact

The holes in the tabletop are a pattern of stars in the galaxy M101 (Pinwheel Galaxy).

F.A.Q.

Q: Why are the seats hollow?

A: For comfort reason and water draining.

Q: Is Virus stackable?

A: Yes, Stackable up to 3 pieces and protect with blankets.

Floor fastening

Our Virus picnic tables can be fixed to the floor, to prevent them from being moved, or worse, from being stolen. However, attaching it to the floor is not always enough, as bolts can always be unscrewed. We offer a connection piece that replaces the end cap at the bottom of a table leg. We strongly advise to use one piece per seat in order to attach the table firmly. A two-seater needs two anchoring holes, a three-seater needs three anchoring holes, and so on.



Maintenance

Find maintenance instructions at the downloads section of extremis.com for:

POWDER-COATED PARTS

- White powder-coating obviously requires more maintenance.
- Clean stains with a magic eraser.

FELT CUSHIONS

- Hand-wash in lukewarm water, please don't squeeze but spread them out for drying.
- Use a mild detergent and don't bleach, please also don't remove stains with aggressive chemicals but mild detergents.

Awards



HENRY VAN
DE VELDE
AWARDS
NOMINEE 17



GERMAN
DESIGN
AWARD
GOLD 2019