

Marina picnic

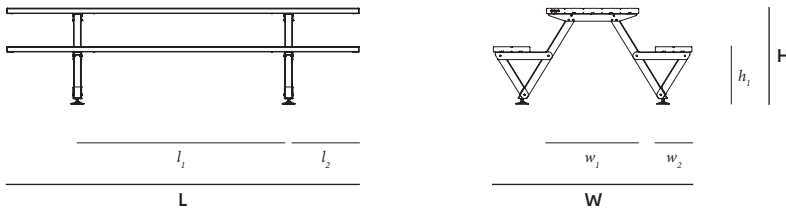
© design by Metrica



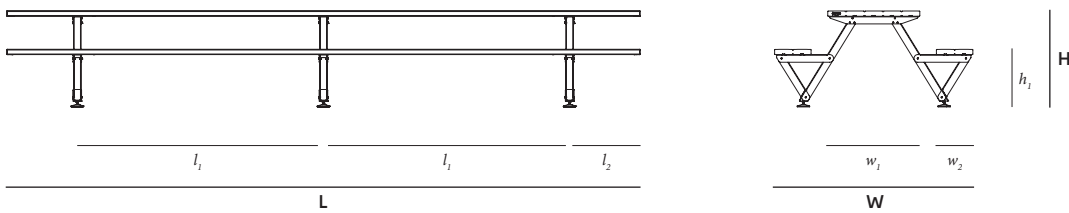
- 2 legs
- 3 legs
- 4 legs
- 5 legs
- 6 legs

Floor fastening

Marina picnic



Dimensions (inch)	L	W _(5 prof.)	W _(6 prof.)	H	l ₁	l ₂	w _{1 (5 prof.)}	w _{1 (6 prof.)}	w ₂	h ₁	# legs
Marina picnic 165	64,96	60,63	66,93	29,53	43,31	10,83	28,35	34,25	11,22	17,72	2
Marina picnic 220	86,61	60,63	66,93	29,53	43,31	21,65	28,35	34,25	11,22	17,72	2
Marina picnic 275	108,27	60,63	66,93	29,53	64,96	21,65	28,35	34,25	11,22	17,72	2
Marina picnic 330	129,92	60,63	66,93	29,53	86,61	21,65	28,35	34,25	11,22	17,72	2



Dimensions (inch)	L	W _(5 prof.)	W _(6 prof.)	H	l ₁	l ₂	w _{1 (5 prof.)}	w _{1 (6 prof.)}	w ₂	h ₁	# legs
Marina picnic 385	151,57	60,63	66,93	29,53	54,13	21,65	28,35	34,25	11,22	17,72	3
Marina picnic 440	173,23	60,63	66,93	29,53	64,96	21,65	28,35	34,25	11,22	17,72	3
Marina picnic 495	194,88	60,63	66,93	29,53	75,79	21,65	28,35	34,25	11,22	17,72	3
Marina picnic 550	216,54	60,63	66,93	29,53	86,61	21,65	28,35	34,25	11,22	17,72	3
Marina picnic 605	238,19	60,63	66,93	29,53	64,96	21,65	28,35	34,25	11,22	17,72	4
Marina picnic 660	259,84	60,63	66,93	29,53	54,13	21,65	28,35	34,25	11,22	17,72	4
Marina picnic 715	281,50	60,63	66,93	29,53	79,33	21,65	28,35	34,25	11,22	17,72	4
Marina picnic 770	303,15	60,63	66,93	29,53	64,96	21,65	28,35	34,25	11,22	17,72	4
Marina picnic 825	324,80	60,63	66,93	29,53	56,30	21,65	28,35	34,25	11,22	17,72	5
Marina picnic 880	346,46	60,63	66,93	29,53	60,63	21,65	28,35	34,25	11,22	17,72	5
Marina picnic 935	368,11	60,63	66,93	29,53	64,96	21,65	28,35	34,25	11,22	17,72	5
Marina picnic 990	389,76	60,63	66,93	29,53	69,29	21,65	28,35	34,25	11,22	17,72	5
Marina picnic 1045	411,42	60,63	66,93	29,53	73,62	21,65	28,35	34,25	11,22	17,72	6
Marina picnic 1100	433,07	60,63	66,93	29,53	64,96	21,65	28,35	34,25	11,22	17,72	6
Marina picnic 1155	454,72	60,63	66,93	29,53	82,28	21,65	28,35	34,25	11,22	17,72	6
Marina picnic 1210	476,38	60,63	66,93	29,53	86,61	21,65	28,35	34,25	11,22	17,72	6

The content of this document, in particular the mentioned models, is protected by copyrights and/or design rights. The present document and its content is communicated to you for information purposes only. Any partial or total reproduction or any other use without our prior written permission is strictly prohibited. This technical sheet remains subject to possible changes. **All dimensions are in inch**, unless mentioned otherwise. Extremis is not responsible for the errors in the documentation of products. All measurements are approximate and are provided for informational purposes only.

Tech sheet
20200226



BOX 1: 3 PROFILES



BOX 3: 1 SET PICNIC LEGS + MOUNTING KIT



BOX 2: 2 PROFILES



BOX 4: ENDCAPS + MOUNTING KIT



Box dimensions (inch)		L	W	H	Qty (#)	Volume (ft³)	Gross weight (lb)	Net weight (lb)	Packaging weight (lb)
Marina picnic 165 (tabletop 28,35 inch)	Box 1	68,11	5,51	4,72	3	3,18			
	Box 3	34,25	8,58	2,95	2	1,06	73,19	69,67	3,53
	Box 4	34,25	5,71	2,95	1	0,35	6,83	5,95	0,88
					total:	4,59			
Marina picnic 165 (tabletop 34,25 inch)	Box 1	68,11	5,51	4,72	2	2,12			
	Box 2	68,11	5,51	3,15	2	1,41	42,77	39,24	3,53
	Box 3	34,25	8,58	2,95	2	1,06	75,84	72,31	3,53
	Box 4	34,25	5,71	2,95	1	0,35	8,42	7,54	0,88
					total:	4,94	0,00	0,00	0,00
Marina picnic 220 (tabletop 28,35 inch)	Box 1	89,76	5,51	4,72	3	3,88	128,31	117,73	10,58
	Box 3	34,25	8,58	2,95	2	1,06	73,19	69,67	3,53
	Box 4	34,25	5,71	2,95	1	0,35	6,83	5,95	0,88
					total:	5,30	208,34	193,35	14,99
Marina picnic 220 (tabletop 34,25 inch)	Box 1	89,76	5,51	4,72	2	2,83	85,54	78,48	7,05
	Box 2	89,76	5,51	3,15	2	1,06	56,88	52,03	4,85
	Box 3	34,25	8,58	2,95	2	1,06	75,84	72,31	3,53
	Box 4	34,25	5,71	2,95	1	0,35	8,42	7,54	0,88
					total:	5,30	226,68	210,37	16,31
Marina picnic 275 (tabletop 28,35 inch)	Box 1	111,42	5,51	4,72	3	4,94	160,72	146,83	13,89
	Box 3	34,25	8,58	2,95	2	1,06	73,19	69,67	3,53
	Box 4	34,25	5,71	2,95	1	0,35	6,83	5,95	0,88
					total:	6,36	240,74	222,45	18,30
Marina picnic 275 (tabletop 34,25 inch)	Box 1	111,42	5,51	4,72	2	3,53	107,14	97,89	9,26
	Box 2	111,42	5,51	3,15	2	2,12	70,99	65,26	5,73
	Box 3	34,25	8,58	2,95	2	1,06	75,84	72,31	3,53
	Box 4	34,25	5,71	2,95	1	0,35	8,42	7,54	0,88
					total:	7,06	262,39	242,99	19,40
Marina picnic 330 (tabletop 28,35 inch)	Box 1	133,07	5,51	4,72	3	6,00	192,46	175,93	16,53
	Box 3	34,25	8,58	2,95	2	1,06	73,19	69,67	3,53
	Box 4	34,25	5,71	2,95	1	0,35	6,83	5,95	0,88
					total:	7,42	272,49	251,55	20,94
Marina picnic 330 (tabletop 34,25 inch)	Box 1	133,07	5,51	4,72	2	3,88	128,31	117,29	11,02
	Box 2	133,07	5,51	3,15	2	2,83	85,54	78,48	7,05
	Box 3	34,25	8,58	2,95	2	1,06	75,84	72,31	3,53
	Box 4	34,25	5,71	2,95	1	0,35	8,42	7,54	0,88
					total:	8,12	298,11	275,62	22,49


Box dimensions (inch)		L	W	H	Qty (#)	Volume (ft ³)	Gross weight (lb)	Net weight (lb)	Packaging weight (lb)
Marina picnic 385 (tabletop 28,35 inch)	Box 1	154,72	5,51	4,72	3	7,06	224,87	205,69	19,18
	Box 3	34,25	8,58	2,95	3	1,06	109,79	104,50	5,29
	Box 4	34,25	5,71	2,95	1	0,35	6,83	5,95	0,88
	total:				8,48		341,50	316,14	25,35
Marina picnic 385 (tabletop 34,25 inch)	Box 1	154,72	5,51	4,72	2	4,59	149,91	137,13	12,79
	Box 2	154,72	5,51	3,15	2	1,41	99,65	91,27	8,38
	Box 3	34,25	8,58	2,95	3	1,41	113,76	108,47	5,29
	Box 4	34,25	5,71	2,95	1	0,35	8,42	7,54	0,88
total:				7,77		371,74	344,41	27,34	
Marina picnic 440 (tabletop 28,35 inch)	Box 1	176,38	5,51	4,72	3	8,12	256,62	234,79	21,83
	Box 3	34,25	8,58	2,95	3	1,06	109,79	104,50	5,29
	Box 4	34,25	5,71	2,95	1	0,35	6,83	5,95	0,88
total:				9,53		373,24	345,24	28,00	
Marina picnic 440 (tabletop 34,25 inch)	Box 1	176,38	5,51	4,72	2	5,30	171,08	156,53	14,55
	Box 2	176,38	5,51	3,15	2	3,53	113,76	104,50	9,26
	Box 3	34,25	8,58	2,95	3	1,41	113,76	108,47	5,29
	Box 4	34,25	5,71	2,95	1	0,35	8,42	7,54	0,88
total:				10,59		407,02	377,03	29,98	
Marina picnic 495 (tabletop 28,35 inch)	Box 1	198,03	5,51	4,72	3	8,83	289,03	264,55	24,47
	Box 3	34,25	8,58	2,95	3	1,06	109,79	104,50	5,29
	Box 4	34,25	5,71	2,95	1	0,35	6,83	5,95	0,88
total:				10,24		405,65	375,01	30,64	
Marina picnic 495 (tabletop 34,25 inch)	Box 1	198,03	5,51	4,72	2	6,00	192,68	176,37	16,31
	Box 2	198,03	5,51	3,15	2	3,88	127,87	117,29	10,58
	Box 3	34,25	8,58	2,95	3	1,41	113,76	108,47	5,29
	Box 4	34,25	5,71	2,95	1	0,35	8,42	7,54	0,88
total:				11,30		442,73	409,66	33,07	
Marina picnic 550 (tabletop 28,35 inch)	Box 1	219,69	5,51	4,72	3	9,89	320,77	293,66	27,12
	Box 3	34,25	8,58	2,95	3	1,06	109,79	104,50	5,29
	Box 4	34,25	5,71	2,95	1	0,35	6,83	5,95	0,88
total:				11,65		437,40	404,11	33,29	
Marina picnic 550 (tabletop 34,25 inch)	Box 1	219,69	5,51	4,72	2	6,36	213,85	195,77	18,08
	Box 2	219,69	5,51	4,72	2	4,24	142,42	130,51	11,90
	Box 3	34,25	8,58	2,95	3	1,41	113,76	108,47	5,29
	Box 4	34,25	5,71	2,95	1	0,35	8,42	7,54	0,88
total:				12,36		478,45	442,29	36,16	

Box dimensions (inch)		L	W	H	Qty (#)	Volume (ft ³)	Gross weight (lb)	Net weight (lb)	Packaging weight (lb)
Marina picnic 605 (tabletop 28,35 inch)	Box 1	241,34	5,51	4,72	3	10,95	353,18	322,76	30,42
	Box 3	34,25	8,58	2,95	4	2,12	146,39	139,33	7,05
	Box 4	34,25	5,71	2,95	1	0,35	6,83	5,95	0,88
	total:					13,42	506,40	468,04	38,36
Marina picnic 605 (tabletop 34,25 inch)	Box 1	241,34	5,51	4,72	2	7,42	235,01	215,17	19,84
	Box 2	241,34	5,51	3,15	2	4,94	156,53	143,74	12,79
	Box 3	34,25	8,58	2,95	4	2,12	151,68	144,62	7,05
	Box 4	34,25	5,71	2,95	1	0,35	8,42	7,54	0,88
	total:					14,83	551,64	511,08	40,57
Marina picnic 660 (tabletop 28,35 inch)	Box 1	262,99	5,51	4,72	3	12,01	384,93	352,52	32,41
	Box 3	34,25	8,58	2,95	4	2,12	146,39	139,33	7,05
	Box 4	34,25	5,71	2,95	1	0,35	6,83	5,95	0,88
	total:					14,48	538,15	497,80	40,34
Marina picnic 660 (tabletop 34,25 inch)	Box 1	262,99	5,51	4,72	2	7,77	256,62	235,01	21,61
	Box 2	262,99	5,51	3,15	2	5,30	170,64	156,53	14,11
	Box 3	34,25	8,58	2,95	4	2,12	151,68	144,62	7,05
	Box 4	34,25	5,71	2,95	1	0,35	8,42	7,54	0,88
	total:					15,54	587,36	543,70	43,65
Marina picnic 715 (tabletop 28,35 inch)	Box 1	284,65	5,51	4,72	3	12,71	417,34	381,62	35,71
	Box 3	34,25	8,58	2,95	4	2,12	146,39	139,33	7,05
	Box 4	34,25	5,71	2,95	1	0,35	6,83	5,95	0,88
	total:					15,19	570,56	526,90	43,65
Marina picnic 715 (tabletop 34,25 inch)	Box 1	284,65	5,51	4,72	2	8,83	278,22	254,41	23,81
	Box 2	284,65	5,51	3,15	2	5,65	184,75	169,76	14,99
	Box 3	34,25	8,58	2,95	4	2,12	151,68	144,62	7,05
	Box 4	34,25	5,71	2,95	1	0,35	8,42	7,54	0,88
	total:					16,95	623,07	576,33	46,74
Marina picnic 770 (tabletop 28,35 inch)	Box 1	306,30	5,51	4,72	3	13,77	449,08	411,38	37,70
	Box 3	34,25	8,58	2,95	4	2,12	146,39	139,33	7,05
	Box 4	34,25	5,71	2,95	1	0,35	6,83	5,95	0,88
	total:					16,24	602,30	556,67	45,64
Marina picnic 770 (tabletop 34,25 inch)	Box 1	306,30	5,51	4,72	2	9,18	299,39	274,26	25,13
	Box 2	306,30	5,51	3,15	2	6,00	199,30	182,54	16,76
	Box 3	34,25	8,58	2,95	4	2,12	151,68	144,62	7,05
	Box 4	34,25	5,71	2,95	1	0,35	8,42	7,54	0,88
	total:					17,66	658,79	608,96	49,82

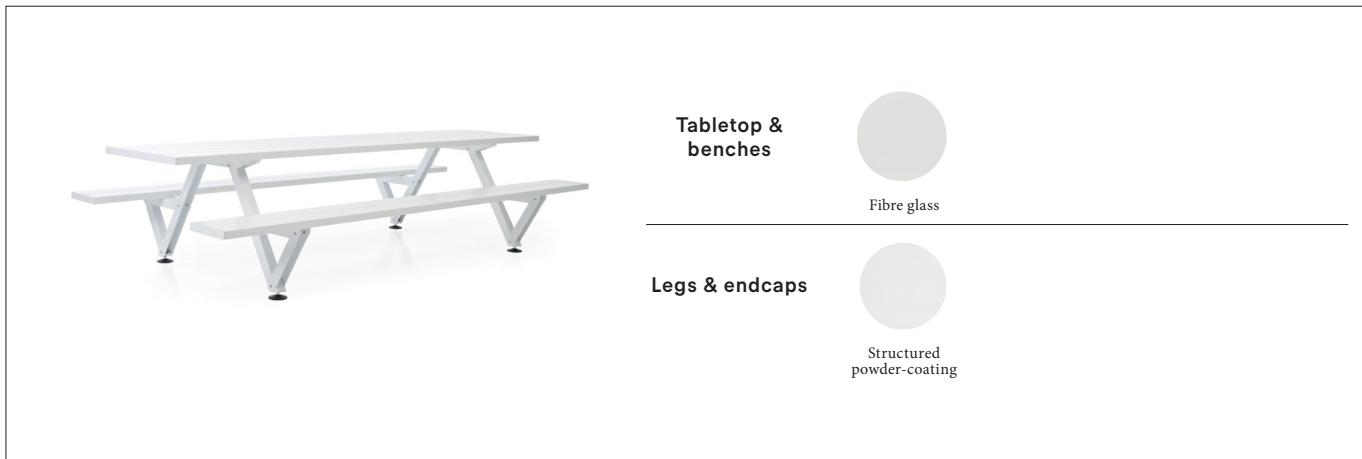
Box dimensions (inch)		L	W	H	Qty (#)	Volume (ft ³)	Gross weight (lb)	Net weight (lb)	Packaging weight (lb)
Marina picnic 825 (tabletop 28,35 inch)	Box 1	327,95	5,51	4,72	3	14,83	481,49	440,48	41,01
	Box 3	34,25	8,58	2,95	5	2,47	182,98	174,17	8,82
	Box 4	34,25	5,71	2,95	1	0,35	6,83	5,95	0,88
	total:					17,66	671,31	620,60	50,71
Marina picnic 825 (tabletop 34,25 inch)	Box 1	327,95	5,51	4,72	2	9,89	320,99	293,66	27,34
	Box 2	327,95	5,51	3,15	2	6,71	213,41	195,77	17,64
	Box 3	34,25	8,58	2,95	5	2,47	189,60	180,78	8,82
	Box 4	34,25	5,71	2,95	1	0,35	8,42	7,54	0,88
total:					19,42	732,42	677,75	54,67	
Marina picnic 880 (tabletop 28,35 inch)	Box 1	349,61	5,51	4,72	3	15,89	513,24	469,58	43,65
	Box 3	34,25	8,58	2,95	5	2,47	182,98	174,17	8,82
	Box 4	34,25	5,71	2,95	1	0,35	6,83	5,95	0,88
total:					18,72	703,05	649,70	53,35	
Marina picnic 880 (tabletop 34,25 inch)	Box 1	349,61	5,51	4,72	2	10,59	342,16	313,06	29,10
	Box 2	349,61	5,51	3,15	2	7,06	227,52	209,00	18,52
	Box 3	34,25	8,58	2,95	5	2,47	189,60	180,78	8,82
	Box 4	34,25	5,71	2,95	1	0,35	8,42	7,54	0,88
total:					20,48	767,69	710,37	573,64	
Marina picnic 935 (tabletop 28,35 inch)	Box 1	371,26	5,51	4,72	3	16,95	545,64	499,35	46,30
	Box 3	34,25	8,58	2,95	5	2,47	182,98	174,17	8,82
	Box 4	34,25	5,71	2,95	1	0,35	6,83	5,95	0,88
total:					19,78	735,46	679,46	56,00	
Marina picnic 935 (tabletop 34,25 inch)	Box 1	371,26	5,51	4,72	2	11,30	363,76	332,90	30,86
	Box 2	371,26	5,51	3,15	2	7,42	241,63	221,79	19,84
	Box 3	34,25	8,58	2,95	5	2,47	189,60	180,78	8,82
	Box 4	34,25	5,71	2,95	1	0,35	8,42	7,54	0,88
total:					21,54	803,41	743,00	60,41	
Marina picnic 990 (tabletop 28,35 inch)	Box 1	392,91	5,51	4,72	3	17,66	577,39	528,45	48,94
	Box 3	34,25	8,58	2,95	5	2,47	182,98	174,17	8,82
	Box 4	34,25	5,71	2,95	1	0,35	6,83	5,95	0,88
total:					20,48	767,21	708,57	58,64	
Marina picnic 990 (tabletop 34,25 inch)	Box 1	392,91	5,51	4,72	2	12,01	384,93	352,30	32,63
	Box 2	392,91	5,51	3,15	2	7,77	256,18	235,01	21,16
	Box 3	34,25	8,58	2,95	5	2,47	189,60	180,78	8,82
	Box 4	34,25	5,71	2,95	1	0,35	8,42	7,54	0,88
total:					22,60	839,12	775,63	63,49	

Box dimensions (inch)		L	W	H	Qty (#)	Volume (ft ³)	Gross weight (lb)	Net weight (lb)	Packaging weight (lb)
Marina picnic 1045 (tabletop 28,35 inch)	Box 1	414,57	5,51	4,72	3	18,72	609,80	558,21	51,59
	Box 3	34,25	8,58	2,95	6	3,18	219,58	209,00	10,58
	Box 4	34,25	5,71	2,95	1	0,35	6,83	5,95	0,88
	total:				22,25		836,21	773,16	63,05
Marina picnic 1045 (tabletop 34,25 inch)	Box 1	414,57	5,51	4,72	2	12,36	406,53	372,14	34,39
	Box 2	414,57	5,51	3,15	2	8,48	270,29	247,80	22,49
	Box 3	34,25	8,58	2,95	6	3,18	227,52	216,93	10,58
	Box 4	34,25	5,71	2,95	1	0,35	8,42	7,54	0,88
total:				24,37		912,76	844,41	68,34	
Marina picnic 1100 (tabletop 28,35 inch)	Box 1	436,22	5,51	4,72	3	19,78	641,55	587,31	54,23
	Box 3	34,25	8,58	2,95	6	3,18	219,58	209,00	10,58
	Box 4	34,25	5,71	2,95	1	0,35	6,83	5,95	0,88
total:				23,31		867,96	802,26	65,70	
Marina picnic 1100 (tabletop 34,25 inch)	Box 1	436,22	5,51	4,72	2	13,07	427,70	391,54	36,16
	Box 2	436,22	5,51	3,15	2	8,83	284,40	261,03	23,37
	Box 3	34,25	8,58	2,95	6	3,18	227,52	216,93	10,58
	Box 4	34,25	5,71	2,95	1	0,35	8,42	7,54	0,88
total:				25,43		948,03	877,04	70,99	
Marina picnic 1155 (tabletop 28,35 inch)	Box 1	457,87	5,51	4,72	3	20,84	673,95	616,41	57,54
	Box 3	34,25	8,58	2,95	6	3,18	219,58	209,00	10,58
	Box 4	34,25	5,71	2,95	1	0,35	6,83	5,95	0,88
total:				24,37		900,37	831,36	69,00	
Marina picnic 1155 (tabletop 34,25 inch)	Box 1	457,87	5,51	4,72	2	13,77	449,30	410,94	38,36
	Box 2	457,87	5,51	3,15	2	9,18	298,51	274,26	24,25
	Box 3	34,25	8,58	2,95	6	3,18	227,52	216,93	10,58
	Box 4	34,25	5,71	2,95	1	0,35	8,42	7,54	0,88
total:				26,49		983,75	900,85	74,08	
Marina picnic 1210 (tabletop 28,35 inch)	Box 1	479,53	5,51	4,72	3	21,54	705,70	646,17	59,52
	Box 3	34,25	8,58	2,95	6	3,18	219,58	209,00	10,58
	Box 4	34,25	5,71	2,95	1	0,35	6,83	5,95	0,88
total:				25,07		932,11	861,13	70,99	
Marina picnic 1210 (tabletop 34,25 inch)	Box 1	479,53	5,51	4,72	2	14,48	470,47	430,78	39,68
	Box 2	479,53	5,51	3,15	2	9,53	313,06	287,04	26,01
	Box 3	34,25	8,58	2,95	6	3,18	227,52	216,93	10,58
	Box 4	34,25	5,71	2,95	1	0,35	8,42	7,54	0,88
total:				30,72		1018,54	942,30	77,16	

Floor fastening set

Box dimensions (inch)		L	W	H	Qty (#)	Volume (ft ³)	Gross weight (lb)	Net weight (lb)	Packaging weight (lb)
BOX 5: FLOOR FASTENING SET									
									
Floor fastening set	Box 5	8,07	5,71	5,91	1	0,35	0,66	0,51	0,15

Materials & colors



Materials	Key facts	Thickness inch	Layer thickness micron	Density	In/outdoor	Water	UV colour fastness	Flame retarding
Fibre glass tabletop & benches	<ul style="list-style-type: none"> Made with pultrusion technique: a non-stop process of fibre glass wires pulled through a bath of polyester Strong Lightweight 	0,10	n.a.	0,11 10 ³ lb/ft ³	Outdoor & indoor	n.a.	The white hue can change to some extent when exposed to UV	/
Structured powder-coated electro galvanized steel legs	<ul style="list-style-type: none"> Easy to clean Electro galvanized (for extra protection against rust), then powder-coated More scratch-resistant than non structured powder-coating 	0,11	100	0,47 10 ³ lb/ft ³	Outdoor & indoor	n.a.	Very good: the white hue can change to some extent when exposed to UV	NEN-EN13501-1 A1 *
Polyamide feet	<ul style="list-style-type: none"> Injection-moulded nylon Adjustable in height and surface 	n.a.	n.a.	0,07 10 ³ lb/ft ³	Outdoor & indoor	n.a.	Very good	/

* NEN-EN13501-1 A1

Class A1 products will not contribute to fire in any stage, including fully developed fire. For this reason, they are assumed to be capable of satisfying all requirements of all lower classes as well.

Warnings

General

- Do not use any sharp tools to open the packaging.
- We strongly advise against using power tools.
- Tripping hazard, mind your step.
- Do not put out cigarettes on the table.
- Not graffiti proof.
- Do not leave children unattended whilst playing on the table.
- To avoid danger of suffocation, keep plastic bags away from babies and children.
- Colours can differ over years and from batch to batch.

Product

- Do not drag the table, but carry it with minimum 2 people.
- Anchoring the product has to be done by qualified people.
- For anchoring: use suitable bolts or screws from a specialized store depending on the material your terrace

is made of.

- We strongly advise you against standing on top of the table! A concentrated load can cause small perceptible cracks in the profiles that might be visually annoying, although they do not affect the strength of the table in any way.
- For table with 3 legs or more, we recommend using trestles to attach the table leg assemblies to the tabletop, instead of keeping it upside down.

Powder-coating

- White powder-coating requires more maintenance.
- Do not use abrasive scouring powders or scourers as they will scratch the surface.
- Colour can fade to some extent when exposed to UV.
- Flame retarding - NEN-EN13501-1 A2-sl - Satisfying the same criteria as Class B for the SBI-test according to EN13823. In addition, under conditions of a fully developed fire these products will not significantly

contribute to the fire load and fire growth.

- Dark colors can get very hot in sunny weather.

Fibre glass

- Stains should be removed immediately with a clean, soft cloth, particularly in case of dark-coloured liquids such as wine, ink, coffee, coke, oil or bird droppings. If left to dry, these liquids may cause permanent damage!
- Avoid using aggressive and abrasive products.
- Clean daily with Extremis Multi Cleaner.
- In case of stubborn stains, we recommend using a magic sponge.
- The white hue can change to some extent when exposed to UV.
- Color variations are possible, and even likely. This is intrinsic to this production technique. It contributes to the natural effect.

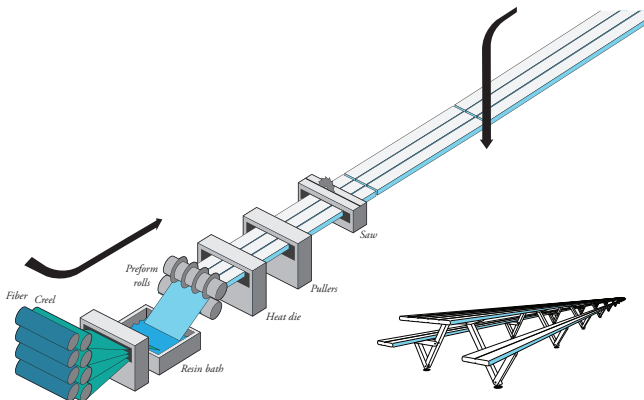
Applications

Residential: on terraces, patios, courtyards. Indoor or outdoor, as a dining table, ...

Project: hotel and catering industry, company terraces, public spaces, offices, meeting rooms, bars, ...

Good to know

- 21,65 inch bench space / person.
- The average transport volume is 6,00 ft³ / person, which is really low.
- Fibre glass reinforced polyester resin material is made with the so-called pultrusion technique. Pultrusion is a non-stop process of pulling fibre glass wires through a bath of polyester resin and letting them harden in a matrix afterwards to get their final shape.
- Main advantages of this material are its strength and low weight.



Awards



Floor fastening

Marina picnic comes with an optional floor fastening set.

Find more instructions in the manual.



F.a.q.

Q: What is the biggest size possible?

A: We have produced a 30m table, the only problem is transport. We can deliver tables up to 7m without extra costs.

Q: What about UV-resistance?

A: By adding special additives, the material of the Marina picnic has a much higher UV-resistance than other white synthetics. We don't have to tell you that that white will not stay brilliantly white.

Q: Are the legs corrosion-resistant?

A: The legs are first galvanised, and powder-coated afterwards. This way, we have a double protection layer.

Maintenance

Find maintenance instructions at the downloads section of extremis.com for:

FIBRE GLASS PROFILES

- Stains should be removed immediately with a clean, soft cloth, particularly in case of dark-coloured liquids such as wine, ink, coffee, coke, oil and bird droppings. If left to dry, these liquids may cause permanent damage!
- Use common kitchen cleaning products. Avoid using aggressive products. These surfaces are best cleaned with a neutral cleaning product diluted in water.
- In case of stubborn stains, we recommend using a magic sponge.

POWDER-COATED PARTS

- White powder-coating requires more maintenance obviously.
- Stains can be cleaned with a magic eraser.