



STYLE SET

DESIGN MASSIMO CASTAGNA

STRUCTURE

Structure in 3,6 cm thick solidwood. Uprights in 2,5 cm thick solidwood.

FINISH

Heat treated woods as our samples or swamp woods oil finish based on natural wax and water.

STORAGE UNITS

2,5 cm thick solidwood. Optional metal finish Burnished black steel, Burnished Titano, Burnished Platino, Burnished Brass, Burnished Black Brass by hand using traditional techniques.

TV PANEL

Solid wood covered with black burnished steel cm 190x4x90h

INTERNAL PARTITIONS

3 mm adjustable partitions solid metal in Burnished black steel, Burnished Titano, Burnished Platino, Burnished Brass, Burnished Black Brass, Burnished black steel by hand using traditional techniques. H-Silver, Silver Patina, H-Silver® Black, Shine Brass, Shine copper. 9 cm fix partitions in solidwood folded with metal in Burnished black steel, Burnished Titano, Burnished Platino, Burnished Brass, Burnished Black Brass, by hand using traditional techniques. H-Silver, Silver Patina, H-Silver® Black, Shine Brass, Shine copper.

WALL LIGHT KIT

Sidelight top-bottom, cover in Burnished black steel, Burnished Titano, Burnished Platino, Burnished Brass, Burnished Black Brass by hand using traditional techniques. H-Silver, Silver Patina, H-Silver® Black, Shine Brass, Shine copper. Available 2700K.

160 x 15 cm led 3000K

240 x 15 cm led 3000K

TECHNICAL DATA

Cm 160x20x25h
(Standard internal partitions n.1 of 0.3 cm and n.1 of 9 cm)
Cm 160x20x31h
(Standard internal partitions n.1 of 0.3 cm and n.1 of 9 cm)
Cm 160x20x43h
(Standard internal partitions n.1 of 0.3 cm and n.1 of 9 cm)
Cm 240x20x25h
(Standard internal partitions n.2 of 0.3 cm and n.1 of 9 cm)
Cm 240x20x31h
(Standard internal partitions n.2 of 0.3 cm and n.1 of 9 cm)
Cm 240x20x43h
(Standard internal partitions n.2 of 0.3 cm and n.1 of 9 cm)

Cm 160x32x25h
(Standard internal partitions n.1 of 0.3 cm and n.1 of 9 cm)
Cm 160x32x31h
(Standard internal partitions n.1 of 0.3 cm and n.1 of 9 cm)
Cm 160x32x43h
(Standard internal partitions n.1 of 0.3 cm and n.1 of 9 cm)
Cm 240x32x25h
(Standard internal partitions n.2 of 0.3 cm and n.1 of 9 cm)
Cm 240x32x31h
(Standard internal partitions n.2 of 0.3 cm and n.1 of 9 cm)
Cm 240x32x43h
(Standard internal partitions n.2 of 0.3 cm and n.1 of 9 cm)

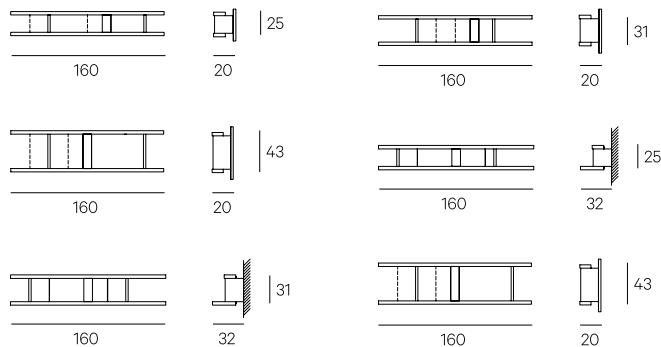
Storage unit cm 160x32x31h
Storage unit cm 240x32x31h

Tv panel cm 190x90h

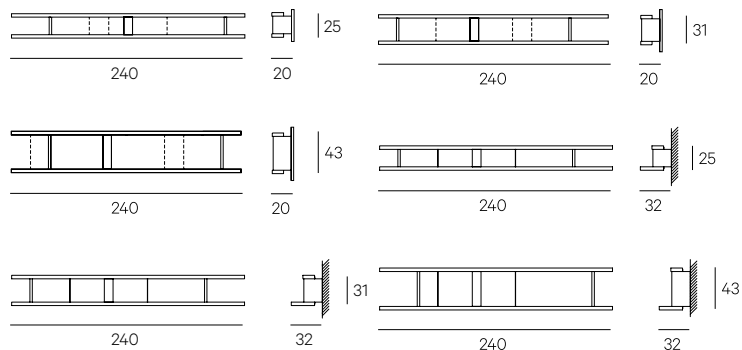
Sizes can be customized.

TECHNICAL DRAWINGS

Bookshelf 160 cm



Bookshelf 240 cm



CARE AND MAINTENANCE OF METALS

Avoid leaving household liquids (oil, red wine, vinegar, etc.) on the surface. In particular, products that contain citric acid (present for example in fruit, citrus fruit and tomatoes) act on contact with the treated surface, removing its original sheen. Always clean stains while they are still fresh. For routine maintenance use a microfiber cloth and water. Do not use products containing acids, limescale removing substances or alcohol.

CARE AND MAINTENANCE OF WOOD

The woods used for our products are of the highest quality and manufactured with the greatest craftsmanship. As wood is a natural material, when placed in a very dry environment it loses humidity and consequently shrinks. In contrast, in a very humid environment wood acquires humidity, increasing in size. These subtle reactions are not flaws but natural movements of a 'living' product, which expands and contracts as the seasons change. Furthermore, the final moisture content of wood also varies according to use, for which particular care is required. For routine maintenance of wood, use a soft, damp, fluffy cloth, or a microfiber cloth. Stubborn stains cleaning wood and does not scratch. To thoroughly clean even the finest grain, follow the direction of the grain using a neutral pH detergent. Next, rinse with a well wrung out cloth and thoroughly dry all surfaces. It is advisable to use neutral pH products and to always test any product on a small hidden part of the object before using it on the outside. To apply the rejuvenating oil provided, carefully follow the instructions printed on the packaging. Bear in mind, however, that the treatment does not make the surface immune to the effects of acidic substances (such as lemon juice). Specific cleaner and care kit for wooden surfaces, including specific products and accessories is available upon request.