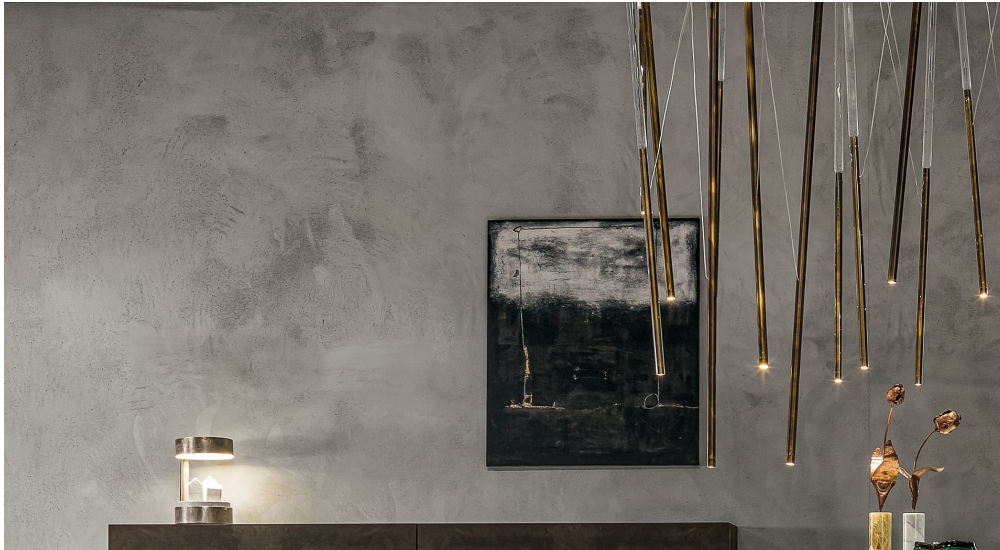


SKYFALL

DESIGN MASSIMO CASTAGNA

CASA
DESIGN
GROUP



Certified product:



STRUCTURE

Pendant lamp energy saving led lamp (energy efficiency index A) with warm light. Structure in brass with downward led or brass and glass with up and down warding led, diameter 2,8 cm. Adjustable inclination through the suspension wire, transformer incorporated in the ceiling rosette, powered with low voltage though suspension wire. Available alternative fixing system for lamp with remote transformer. Available with extra warm light 2700K. Only for indoor use.

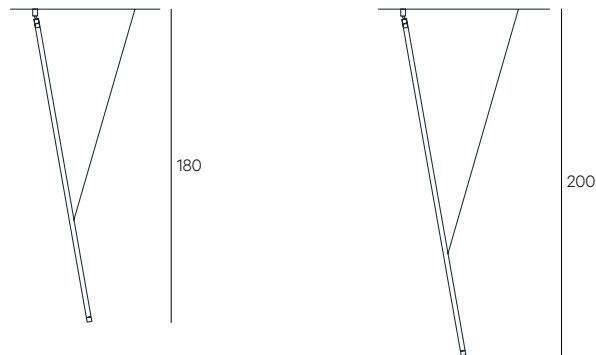
FINISH

Burnished brass, black burnished brass, H-Silver, H-Silver black.

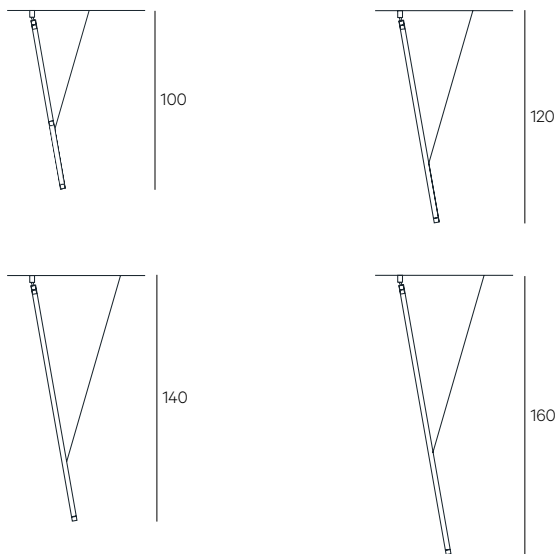
TECHNICAL DATA

h 100 cm - 3000K
h 120 cm - 3000K
h 140 cm - 3000K
h 160 cm - 3000K
h 180 cm - 3000K
h 200 cm - 3000K

TECHNICAL DRAWINGS



TECHNICAL DRAWINGS



CARE AND MAINTENANCE OF METALS

Avoid leaving household liquids (oil, red wine, vinegar, etc.) on the surface. In particular, products that contain citric acid (present for example in fruit, citrus fruit and tomatoes) act on contact with the treated surface, removing its original sheen. Always clean stains while they are still fresh. For routine maintenance use a microfiber cloth and water. Do not use products containing acids, limescale removing substances or alcohol.