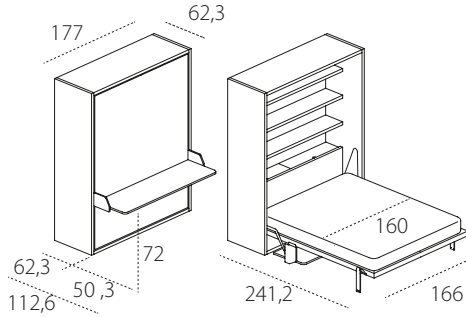




PENELOPE 2 BOARD - P.62,3

Bed base CF09.
Patent protected

Board.
Patent protected



LETTO +

TESTATA
ATTREZZATA +

SCRITTOIO +

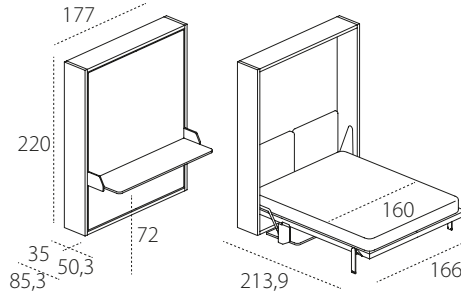
+

= PENELOPE 2
BOARD - P.62,3

PENELOPE 2 BOARD - P.35

Bed base CF09.
Patent protected

Board.
Patent protected



= PENELOPE 2
BOARD - P.35

TECHNICAL INFORMATION

Double-function transforming system with a tilting double bed featuring the patented CF09 slatted bed base (W 166 cm x D 208,4 cm and mattress W 160 cm x D 198 cm), tilting opening with safety mechanism to stop accidental opening and closing.

Tilting mechanism through gas springs and device that cushions movements, completely contained in the side of the structure, thanks to patented technology and special manufacturing.

The model, which is produced with depths 35 cm (with fabric bed headboard) or 62,3 cm (with wooden bed headboard, pillow compartment and shelves), is available in the Standard, Dining (table), Board (large desk), Sofa versions.

Penelope 2 features a large patented writing desk which uses a pivot movement to set horizontally under the bed in the night-time position, without the need to remove any objects from the desk.

Penelope 2 Board must be fixed to wall.

Wooden structure with adjustable nylon feet.

Available mattresses - H cm18, double mattress cm 160 x 198 kg 31-33, in versions springs, memory, memory 7 zones, memory deluxe, latex and mattresses complying with usa relevant regulations.

Mattress locking belts in nylon with fasteners in black nylon.

In the P35 version, upholstered stuffed headboard for the bed, fixed directly to the back panel through snaps, cleaning according to the fabric label.

H of bed base from the floor cm 33,7.

Maximum capacity of the bed kg 300.

H of desk from the floor cm 72.

AVAILABLE FINISHES

STRUCTURE AND DESK - Melamine white, oak sabbia, oak moro, perla, tortora. Lacquered as per Cleicoloursystem.

BACK PANEL - Melamine white. Lacquered as per Cleicoloursystem.

FRONT - Melamine white, oak sabbia, oak moro, perla, tortora. Glossy white Dialux, white Dialux with grooves. Lacquered as per Cleicoloursystem.