

**PAULA —**  
VINCENT VAN DUYSSEN 2023



Designed by creative director Vincent Van Duysen, the Paula armchair enters the canon of iconic contemporary seating by providing a sense of movement and lightness within the space. The key to Paula's timelessness lies in its carefully developed proportions. With its cantilevered frame and suspended cushions, the Paula armchair has been designed to create a synthesis between the soft and inviting seat and the solid and robust structure of the base. The armchair's shape is defined by an innovative system of looping hide leather straps, which attach the seat and backrest to the metal frame. The hide leather straps, available in four shades - natural, tobacco, hazelnut, and mud green - provide a warm contrast to the matte, burnished, or sand metal. The matching ottoman was conceived as a visual continuation of the armchair. Its base features the same finish in burnished or sand metal, and its cushion is attached with the same system of looping leather straps. Paula is a visually striking object that is both modern and elegant; a beautifully crafted piece of furniture that combines contemporary design with luxurious comfort.



This symbol shows that the product has removable upholstery. Only qualified personnel can remove the upholstery of some of our products. If this information is pertinent, it will be included in the warnings section.



This symbol shows that the product is available on request in a fire resistant version that complies with the standards BS 5852 and TB 117-2013. The buyer is responsible for checking to make sure that the product is suitable and compliant with the requirements for the designated use and the current applicable laws and standards for the destination and use of the product.

## FINISHES

### STRUCTURE FINISH

burnished metal - sanded metal

### HIDE LEATHER STRAP FINISHES

tobacco - mud green

natural - hazelnut

## TECHNICAL INFORMATION

### STRUCTURE

Painted aluminium. Feet with non-slip plastic tips.

### BONDED HIDE LEATHER STRAPS

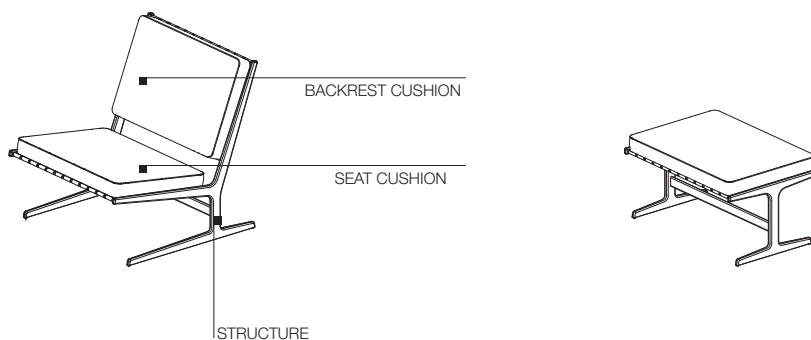
Tobacco, mud green, natural, hazelnut.

### SEAT AND BACKREST CUSHIONS

High-firmness, variable thickness polyurethane with polyester fibre filler, entirely covered in bonded cotton and polyester fibre.



AVAILABLE IN FIRE-RESISTANT  
VERSION TB117 AND BS5852



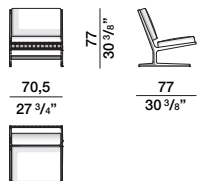
## DIMENSIONS

### Notes

- ▶ All covered parts come in the same type/colour variation.
- ▶ No reductions of any kind or changes in finish are possible.
- ▶ **The bonded hide leather straps can be removed by qualified personnel.**

### armchair

#### PPL1



### pouf

#### PPO1

