

OLD FORD — RODOLFO DORDONI 2023



The Old Ford table by the Italian designer Rodolfo Dordoni is a perfect embodiment of a commitment by Molteni&C in combining aesthetics, functionality, and technical innovation. The table is composed of a rounded, lozenge-shaped top that curves downward on the underside to meet four glossy lacquered legs connected by an H-shaped beam. The finely worked top is available with the choice of limba and coffee oak wood finishes, and in emperador dark, calacatta and sahara noir marble in in matt and glossy polyester version, giving it a warm and inviting appearance. The table under-top resembles a shell composed of soft lines. It is available in anthracite colour, which gives it an elegant and modern look. The contrasting-coloured legs are available in three glossy lacquered finishes, burgundy, pine green, and black nickel. The table's supportive frame is made using hydroforming, a sophisticated process commonly used in the automotive industry that uses water pressure to give shape to the material. This process allows the table to be lightweight yet strong and structurally rigid, ensuring that it can withstand the test of time. With measurements of 250 x 120 cm, or 290 x 130 cm and a height of 74 cm, the table provides ample space for seating, dining or even as a sculptural centrepiece in a foyer. The oval shape also allows the table to fit into various room layouts, making it a versatile option for any home. The Old Ford table expresses a commitment by Molteni&C to achieve aesthetic originality through research and technological innovation. The attention to detail, harmonious shapes, and exceptional durability, are evident in every aspect of its refined construction.

FINISHES

STRUCTURE FINISHES

glossy pine green - glossy burgundy - glossy black nickel

FINISHES WOODEN TOPS

coffee oak - limba

FINISHES MATT FINISH OR GLOSSY FINISH MARBLE TOPS

emperador dark - calacatta - Sahara noir

TECHNICAL INFORMATION

WOOD TOP

Medium density fibreboard panel shaped and covered in wood veneer.

MARBLE TOP

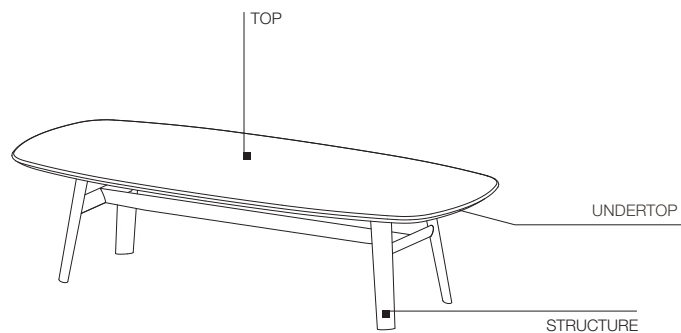
Marble in the range of finishes specific for the product.

STRUCTURE

Legs made by hydroforming and central crosspiece by hydroforming and coning, painted in the finishes of the specific range for the product. Top support frame in epoxy painted metal.

UNDERTOP

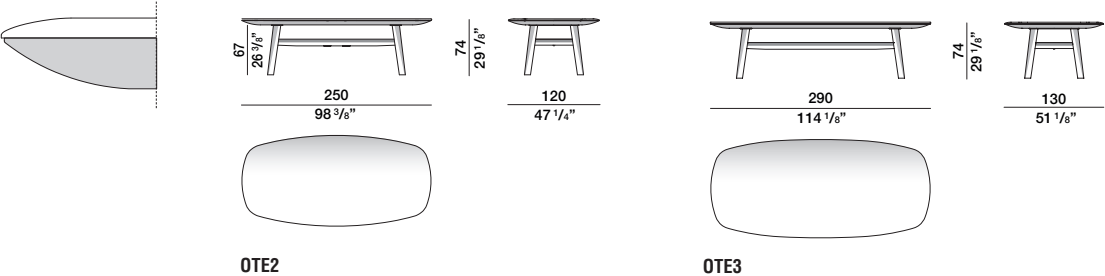
Anthracite lacquered medium density fibreboard.



DIMENSIONS

Notes
No reductions of any kinds are available.

Tables
wooden top
section



Tables
marble top
section

