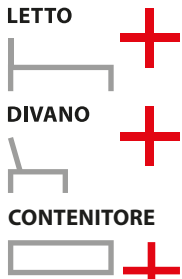
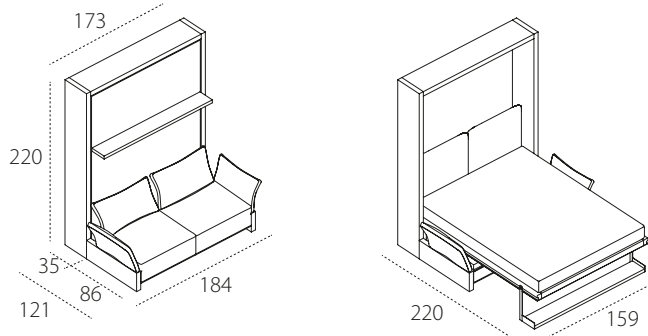


NUOVOLIOLÀ 10

LIOLÀ/NUOVOLIOLÀ 10
Patent protected



== NUOVOLIOLÀ 10

TECHNICAL INFORMATION

Double-function transforming system with tilting double bed and sofa with storage compartment and bookshelf.

The sofa is available with or without armrests and features a full-size seat pad, two backrest cushions and two optional lateral loose cushions.

When the bed is open, the backrests are placed in the compartment underneath the seat pad.

Fully removable covers.

Seat pad filled with expanded polyurethane, while the backrest cushions are padded with piumafill and upholstered in pure cotton.

The ready-to-use double bed features the innovative CF97 slatted bed base. The structure is made from aluminium extrusions, with the bed fitted with an integrated adjustment system.

The bed is opened and closed by a handle - which is either fixed or extendible - positioned in the front shelf. When opened, this front shelf pivots to become a support for the bed; the opening system means that objects on the shelf do not have to be removed.

Nuovoliolà 10 can be fully integrated into all Living & Young System programs.

Nuovoliolà is self-supporting.

Available mattresses - H cm18, double mattress cm 154 x 202 kg 29-32, in versions springs, memory, memory 7 zones, memory deluxe, latex and mattresses complying with usa relevant regulations.

Mattress locking belts in nylon with fasteners in black nylon.

Upholstered stuffed headboard for the bed, fixed directly to the back panel through snaps, cleaning according to the fabric label.

H of bed base from the floor cm 49,5.

H of sofa seat from the floor cm 35.

AVAILABLE FINISHES

STRUCTURE AND BACK PANEL - Melamine white, oak sabbia, oak moro, perla, tortora. Lacquered as per Cleicoloursystem. Wooden finishes: walnut wood, oak wood.

FRONT AND SHELF - Melamine white, oak moro, perla, tortora. Lacquered as per Cleicoloursystem. Wooden finishes: walnut wood, oak wood. Glossy white Dialux, for front only.

SOFA COVER - Removable fabric and leather as per samples collection.