

Molteni & C

KENSINGTON — RODOLFO DORDONI 2018

1—
4



Armchair Kensington designed by Rodolfo Dordoni is a relaxing armchair with comfortable lines, perfect for relaxing and talking together at leisure. The integrated shell has wide armrests and an ergonomically balanced seat, designed to guarantee captivating comfort. The strong but essential line of the steel base balances the flowing lines of the backrest, combining ergonomics and elegance to create refined, comfortable seating. All of the value of exquisite artisan know-how is expressed in the craftsmanship and high quality raw materials, with details fashioned carefully and with passion to guarantee the charm of these extremely versatile chairs.

DATASHEET

REGISTERED
DESIGN

IX.2018

Dimensions in centimeters and inches. The right to discontinue and make changes is reserved. This information is based on the latest product information available at the time of printing.

CASA
DESIGN
GROUP

living
outdoor
contract

460 Harrison Ave Boston MA 02118 | T617-654-2974 | casadesigngroup.com

FINISHES

COVERS

Covers are completely removable, both for fabric and leather versions.

In the fabric versions, the underseat shell is always covered in leather; when ordering, specify the category/colour variant of the leather.

BASE FINISHES

pewter colour

Molteni & C

TECHNICAL INFORMATION

UNDER-SEAT STRUCTURE (ARMCHAIR)

Compact moulded polyurethane, with metal load-bearing structure.

SEAT PADDING (ARMCHAIR)

Compact moulded polyurethane with flexible cold moulded polyurethane foam. Cotton/polyester fibre cover.

BACKREST STRUCTURE (ARMCHAIR)

Metal load-bearing frame with cold-moulded polyurethane foam padding, with cover in cotton/polyester fibre.

UNDER-SEAT STRUCTURE (POUF)

Panel in wooden particle board, with cotton/polyester fibre cover.

SEAT PADDING (POUF)

Panel in wood particle board with flexible cold moulded polyurethane foam. Cotton/polyester fibre cover.

BASE

Laser-cut, welded and painted steel. Feet tips in non-slip plastic.

REMOVABLE OUTER COVER

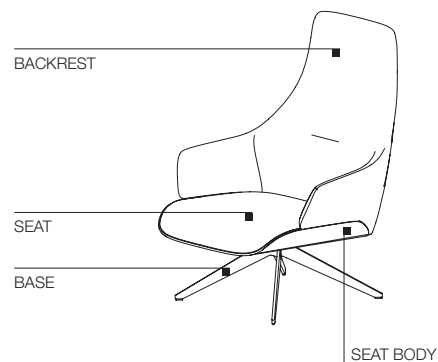
(See enclosed label, specific for the cover in question).

2—
4

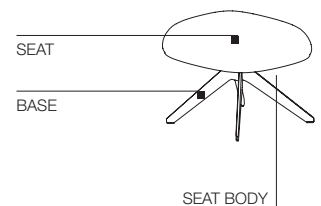
LOW ARMCHAIR



HIGH ARMCHAIR



POUF



DATASHEET

REGISTERED
DESIGN

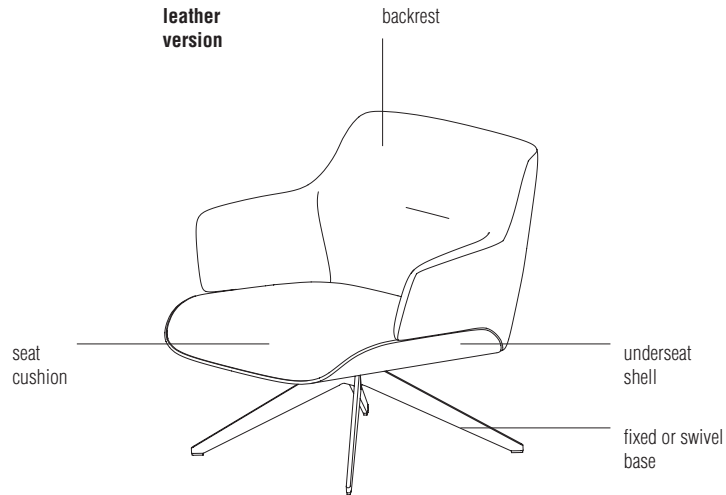
IX.2018

Dimensions in centimeters and inches. The right to discontinue and make changes is reserved. This information is based on the latest product information available at the time of printing.

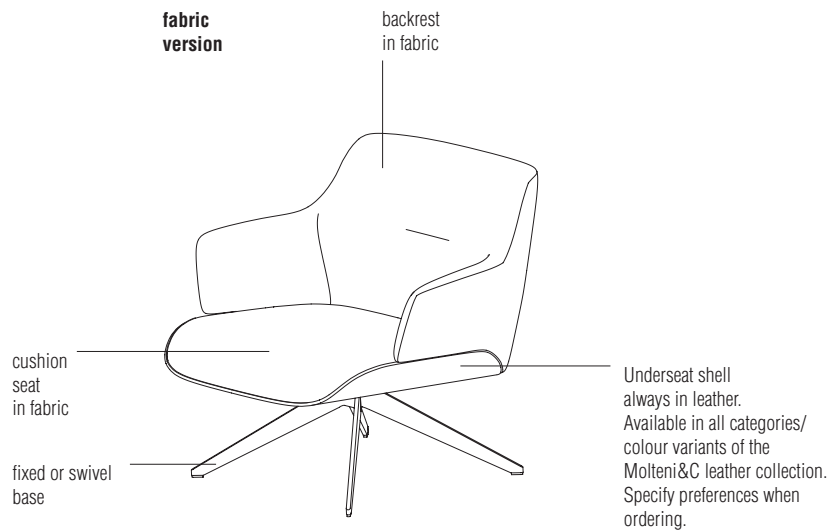
NOTES

Molteni&C

3—
4



- In leather version, all parts are considered in the same category/colour variant.
- If parts are the same category but different colour variants, consider a surcharge of 10%.
- For covers in different categories of leather, consider the price of the superior category.



DATASHEET

REGISTERED
DESIGN

IX.2018

Dimensions in centimeters and inches. The right to discontinue and make changes is reserved. This information is based on the latest product information available at the time of printing.

DIMENSIONS

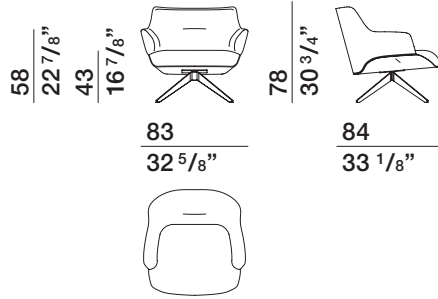
Molteni & C

4—
 4

leather version /
 fabric version

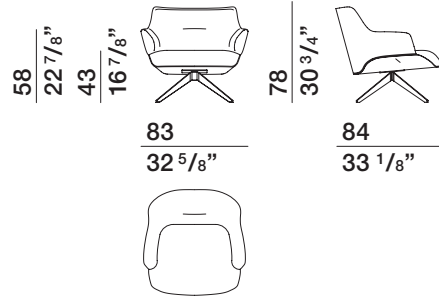
fixed armchair
 with low back

KPB1



swivel armchair
 with low back

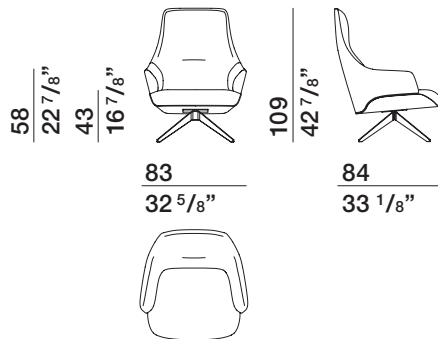
KPB2



leather version /
 fabric version

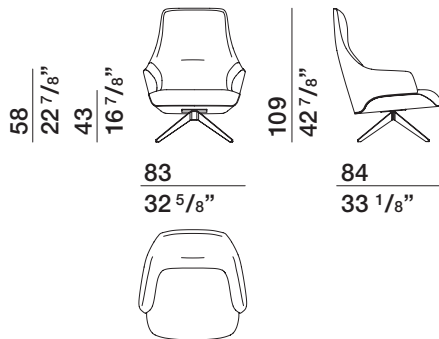
fixed armchair
 with high back

KPA1



swivel armchair
 with high back

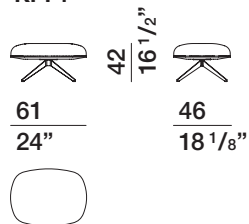
KPA2



leather version /
 fabric version

pouf

KPF1



DATASHEET

REGISTERED
 DESIGN

IX.2018

Dimensions in centimeters and inches. The right to discontinue and make changes is reserved. This information is based on the latest product information available at the time of printing.