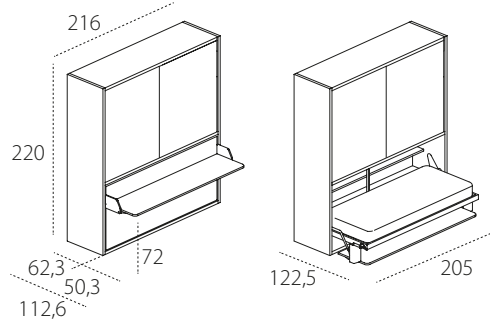




KALI PONTE BOARD 2200

Bed base CF09.  
Patent protected

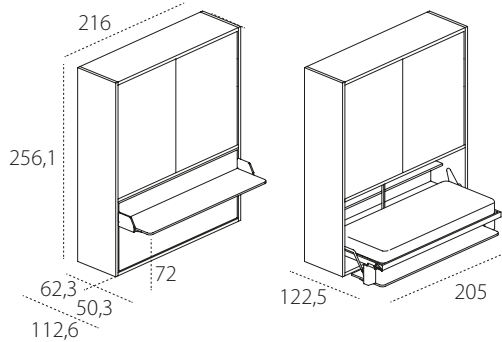
Board.  
Patent protected



KALI PONTE BOARD 2561

Bed base CF09.  
Patent protected

Board.  
Patent protected



LETTO +



SCRITTOIO +



ARMADIO +



**== KALI PONTE BOARD**

## TECHNICAL INFORMATION

Transforming modular system with horizontal foldaway single bed with patented CF09 slatted bed base, reclining headboard and large patented desk, integrated with bridge wardrobe element with sliding doors, available 220 and 256,1 cm high.

The system features a fold-down opening mechanism and safety device that prevents accidental opening and closing.

Tilting mechanism with gas springs and device that cushions movements, completely contained in the side of the structure, thanks to patented technology and special manufacturing.

With a simple movement, the system transforms into the night-time version without the need to remove anything from the large desk that tilts and slots in horizontally underneath the bed.

The system can be free-standing or integrated with elements in the Living & Young System programs.

Kali Ponte Board must be fixed to wall.

Wooden structure with adjustable nylon feet.

Available mattresses - H cm 18 single cm 80x 197 weight kg 14-16 in versions springs, memory, memory 7 zone, memory deluxe, latex and mattresses complying with usa relevant regulations.

Mattress locking belts in nylon.

Stuffed reclining headboard (optional): iron core mechanism with padding made of cold-foamed polyurethane with removable cover.

H of bed base from the floor cm 33,7.

H of desk from the floor cm 72.

## AVAILABLE FINISHES

STRUCTURE AND DESK - Melamine white, oak sabbia, oak moro, perla, tortora. Lacquered as per Cleicoloursystem.

FRONT -Melamine white, oak sabbia, oak moro, perla, tortora. Glossy white Dialux. Lacquered as per Cleicoloursystem.

BACK PANEL -Melamine white. Lacquered as per Cleicoloursystem.

SLIDING DOORS - Melamine white, oak sabbia, oak moro, perla, tortora. Glossy white Dialux. Lacquered as per Cleicoloursystem.

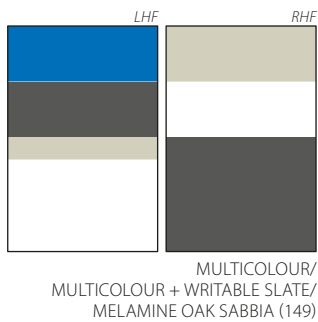
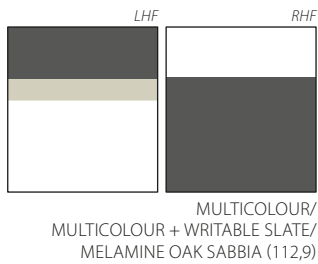
### DECORATIONS:

MULTICOLOUR FOR DOOR - Panel with sections in lacquer finish as per Cleicoloursystem, and combined with writable slate and melamine oak sabbia.

APPLIED DECORATIONS FOR DOOR - Quadra, Petalo, Wave.

### DECORATIONS:

Multicolour for door



### Applied decorations for door

