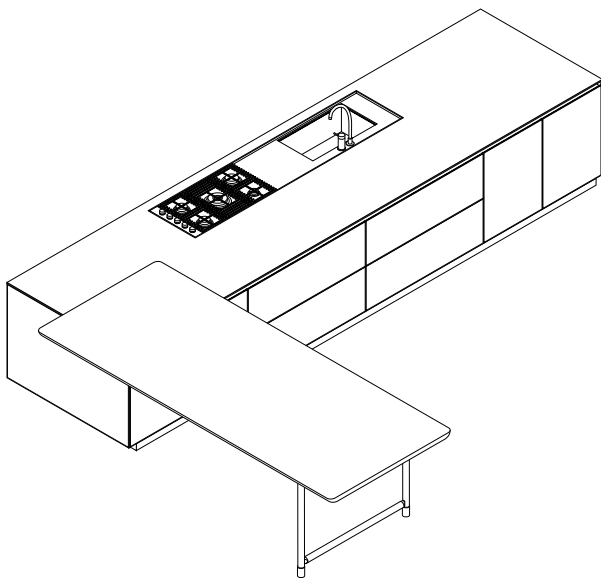


HI-LINE 6 FRAME DOOR DADA R&D 2018



A simple, unitary, linear design which, in 2018, is embellished with the new Frame Door. Frame made in titan and pewter aluminium finish, with a selection of quality finishes for the fronts. The top of the door is shaped to ensure an ergonomic grip. The composition is completed with the new system of shelves with built-in VVD hood and with the new Hi-Line 6 snack bar, with its solid light oak and black oak top, featuring bevelled corners and profiles, on a titan and pewter aluminium frame. Precious materials such as eucalyptus for the island base units, with titan, pewter or bronze aluminum framed doors, and steel for the worktop with integrated sink and hob.



FINISHES

Island
eucalyptus base units doors,
inox steel worktop,
pewter finger recess and skirting,
vvd hood with pewter structure
and eucalyptus shelves
Columns
pewter special metal
lacquered columns and eucalyptus
operating columns



PLUSES

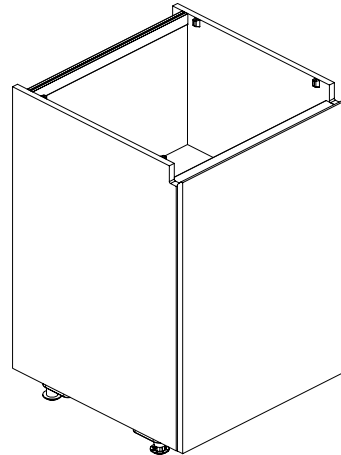
- Framed door with dedicated finishes: wood/glass/Fenix®/laquered
- Finger recess opening without handles
- Shaped upper door profile to maximize the ergonomic grip
- Drawers electrical opening as optional
- Base cabinets available in 3 different depths
- Wide possibility of customization and matching with other collections

HI-LINE 6 FRAME DOOR

Finger recess opening kitchen

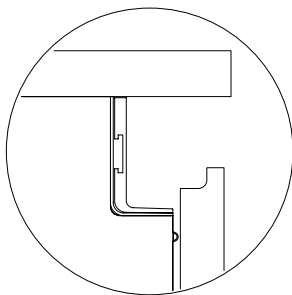


- H. unit structure = 828 mm
- H. door = 797 mm
- H. kitchen with 60 mm skirting = 888 mm**
- H. kitchen with 100 mm skirting = 928 mm**
- TH. door = 19 mm
- D. Base = 331-595-745mm

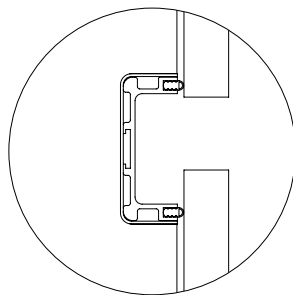


Horizontal finger recesses are used to open doors, drawers and pan drawers without handles. The finger recess can be selected as an opening method also for lower drawers and pan drawers, or a mechanical or electric push-pull opening can be selected as an alternative. Available finishes are Titan, Pewter, Bronze or matt lacquer in range colours.

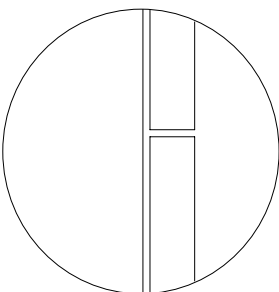
A
First front opening on top







B
Option with finger recess



C
Option with push-pull



-  Titan
-  Pewter
-  Bronze
-  Matt lacquer in range colours

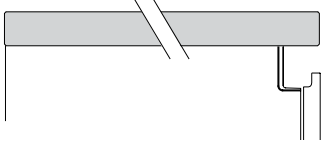
Product sheet
Registered design V 09.2021



HI-LINE 6 FRAME DOOR

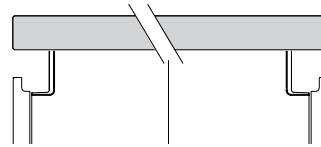
Worktop

Door th 19 mm



Wall composition

structure	worktop
331	356
595	620
745	770

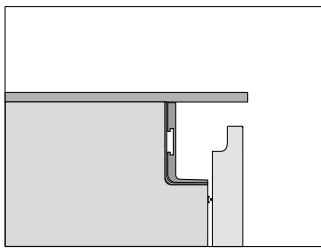


Island composition

structure	worktop
595	645
745	745
331 + 595	976
331 + 745	1126
595 + 595	1240

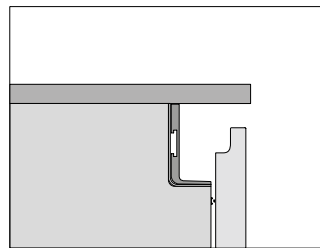


Finishes categories



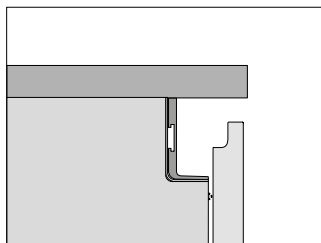
th 6 mm

FINISHES
 Stainless steel



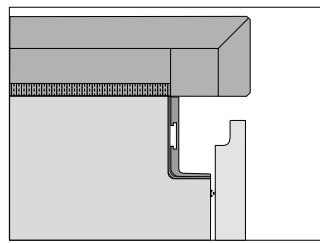
th 12 mm

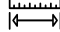
FINISHES
 Ceramic
 Steel
 Glass

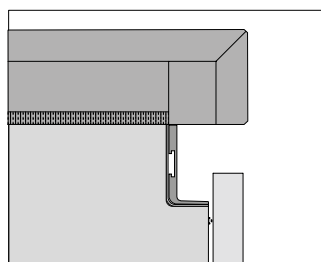


th 20 mm

FINISHES
 Laminate
 Fenix®
 Stones
 Steel



th 50 mm

FINISHES
 Laminate
 Fenix®
 Stones
 Silestone
 Dekton
 Cartapietra
 Corian®
 Steel



th 60 mm

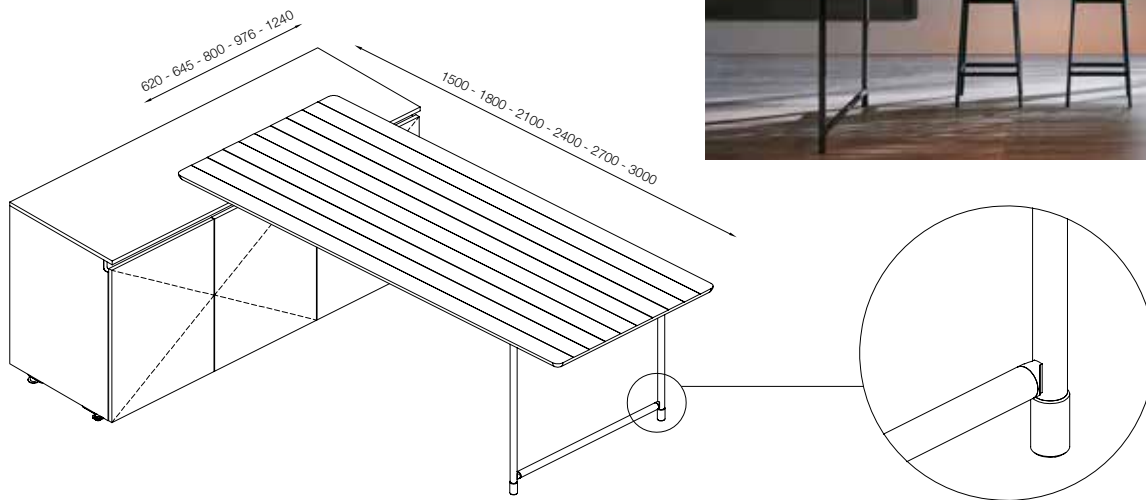
FINISHES
 Stones

HI-LINE 6 FRAME DOOR

Dada

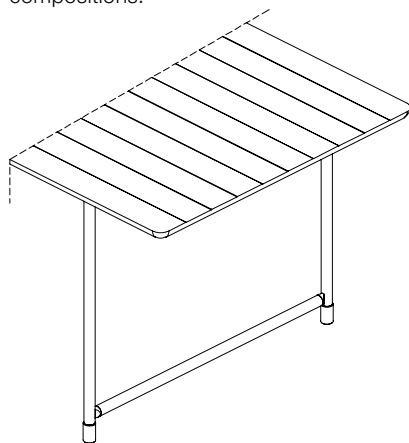
Snack — th 50 mm

Made of solid natural or black coloured oak, the Snack Hi-Line6 Frame Door top is designed to fit in with all kitchens in the Dada collection. It can be combined with the tubular support structure for projecting table compositions, or built into the worktop for island-peninsula compositions.



Frame

Made of solid natural or black coloured oak, the Snack Hi-Line Frame Door top is designed to fit in with all kitchens in the Dada collection. It can be combined with the tubular support structure for projecting table compositions, or built into the worktop for island-peninsula compositions.



WORKTOP FINISHES

Solid natural oak
Black coloured oak

STRUCTURE FINISHES

Pewter
Titan
Bronze

Compositions



FINISHES

HL6 FRAMEDOOR_ISLAND

- Slate structure
- Eucalyptus base unit doors with pewter
- Aluminum frame
- Inox steel top with welded sink, cooktop and Socket
- Eucalyptus side panels with pewter aluminum
- Frame
- Light oak solid wood snack with pewter
- Structure
- Pewter horizontal finger recess
- Pewter skirting h.60
- All base units with internal
- Led lights

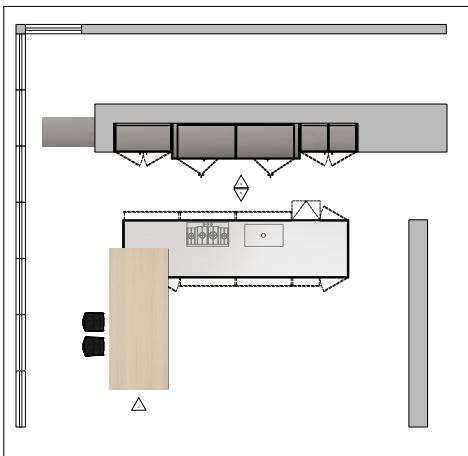
HL6 FRAMEDOOR_COLUMNS

- Slate structure
- Pewter metal lacquered external doors
- Pewter handles mod. Tivali & more
- Pewter skirting h.60

HL6 FRAMEDOOR_TECHNICAL COLUMNS

- Slate structure
- Eucalyptus doors
- Eucalyptus side panels
- Pewter handles mod. Tivali & more
- Eucalyptus internal drawer and shelves
- Steel pull-out top
- Lighted back panels
- Led light and socket integrated
- Pewter skirting h.60

PLAN VIEW



FRONT VIEW

