

FREESTYLE — FERRUCCIO LAVIANI 2006

1—
5



Maximum modularity for this agile and versatile system. Linear and corner elements, classic or cushioned armrests, trapezoidal terminal elements and island units, seats and backrests of various sizes for symmetric or asymmetric combinations, additional cushions and different fabrics for monochromatic effects or in alternating tones.

DATASHEET

VII.2016

Dimensions in millimeters and inches. The right to discontinue and make changes is reserved. This information is based on the latest product information available at the time of printing.

FINISHES

COVERS

fabric - leather, completely removable.

Available in fire-resistant version (TB117 and BS5852).

Molteni & C

TECHNICAL INFORMATION

SEAT

Internal structure is a solid firwood (Picea abies) frame and chipboard, with elastic straps. Padding in variable density high-resistance foam polyurethane. Light velvet cover.

SEAT WITH CUSHIONS

Internal structure is a solid firwood (Picea abies) frame and chipboard, with elastic straps. Padding in variable density high-resistance foam polyurethane. Light velvet cover. Cushion filled with flakes polyurethane and sterilised feathers, 100% cotton cover.

ARM AND BACK

Internal structure is a solid firwood (Picea abies) frame and chipboard, with elastic straps. Padding in variable density high-resistance foam polyurethane. Light velvet cover.

ADDITIONAL CUSHIONS

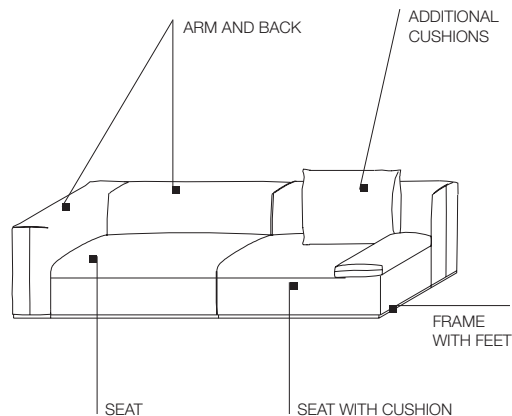
Cushion filled with flakes polyurethane and sterilised feathers, 100% cotton cover.

FRAME WITH FEET

Painted metal with adjustable feet in non-slip plastic.

REMOVABLE OUTER COVERS

(See attached card, specific for each cover).



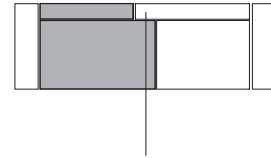
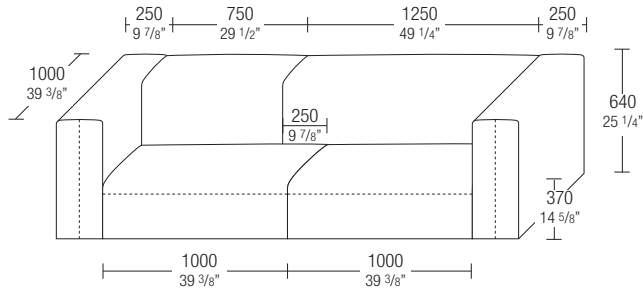
DATASHEET

VII.2016

Dimensions in millimeters and inches. The right to discontinue and make changes is reserved. This information is based on the latest product information available at the time of printing.

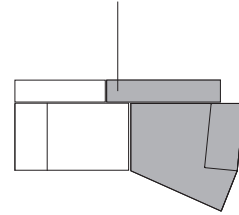
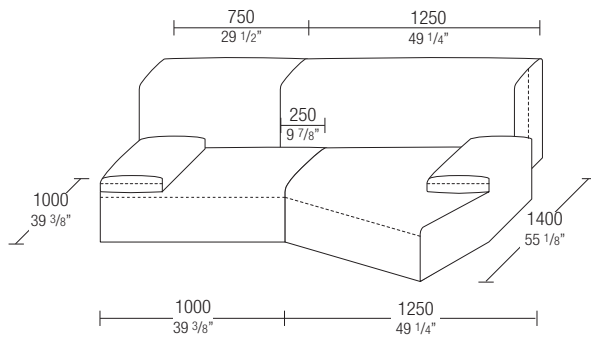
DIMENSIONS

Asymmetric back example



The seat-back alignment can differ by a maximum of 250 mm (9 7/8")

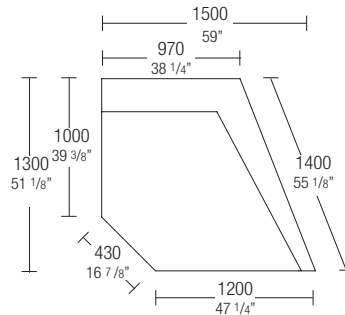
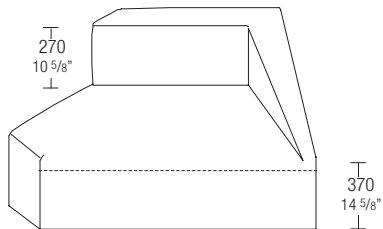
Seats with cushion arm



Molteni & C

3—
5

Island element



The elements next to an island must have the seat and the back aligned.

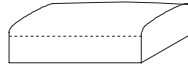
DATASHEET

VII.2016

DIMENSIONS

seats

W 1250 D 750 H 370
W 49 1/4" D 29 1/2" H 14 5/8"



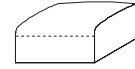
SE12

W 1000 D 750 H 370
W 39 3/8" D 29 1/2" H 14 5/8"



SE10

W 750 D 750 H 370
W 29 1/2" D 29 1/2" H 14 5/8"

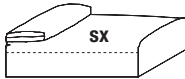


SE75

Molteni & C

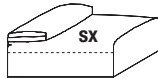
seats with cushion

W 1250 D 750 H 370/500
W 49 1/4" D 29 1/2" H 14 5/8"- 19 3/4"
cushion W 350
cushion W 13 3/4"



SC12 dx - sx

W 1000 D 750 H 370/500
W 39 3/8" D 29 1/2" H 14 5/8"- 19 3/4"
cushion W 350
cushion W 13 3/4"



SC10 dx - sx

end

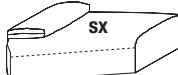
W 1250 D 750/1140 H 370
W 49 1/4" D 29 1/2"- 44 7/8" H 14 5/8"



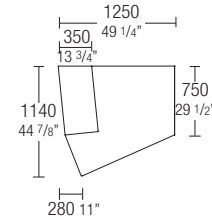
TE12 dx - sx

end with cushion

W 1250 D 750/1140 H 370/500
W 49 1/4" D 29 1/2"- 44 7/8" H 14 5/8"- 19 3/4"
cushion W 350
cushion W 13 3/4"

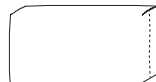


TC12 dx - sx



back

W 1250 D 250 H 640
W 49 1/4" D 9 7/8" H 25 1/4"



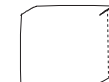
SH12

W 1000 D 250 H 640
W 39 3/8" D 9 7/8" H 25 1/4"



SH10

W 750 D 250 H 640
W 29 1/2" D 9 7/8" H 25 1/4"



SH75

arm

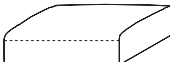
W 250 D 1000 H 640
W 9 7/8" D 39 3/8" H 25 1/4"



BR10

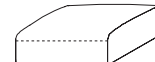
pouf

W 1250 D 1000 H 370
W 49 1/4" D 39 3/8" H 14 5/8"



PF12

W 1000 D 1000 H 370
W 39 3/8" D 39 3/8" H 14 5/8"



PF10

pouf

W 750 D 750 H 370
W 29 1/2" D 29 1/2" H 14 5/8"



PF7575

W 1000 D 750 H 370
W 39 3/8" D 29 1/2" H 14 5/8"



PF1075

W 1250 D 750 H 370
W 49 1/4" D 29 1/2" H 14 5/8"



PF1275

DATASHEET

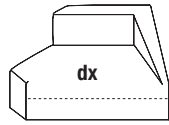
VII.2016

Dimensions in millimeters and inches. The right to discontinue and make changes is reserved. This information is based on the latest product information available at the time of printing.

DIMENSIONS

island element

W 1500 D 1300 H 640
 W 59" D 51 1/8" H 25 1/4"



IS15 dx - sx

additional cushions

W 800 H 600
 W 31 1/2" H 23 5/8"

W 700 H 600
 W 27 1/2" H 23 5/8"

W 600 H 600
 W 23 5/8" H 23 5/8"



CU80



CU70



CU60

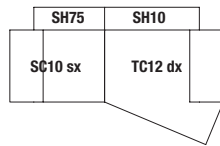
Molteni & C

5—
 5

SAMPLE COMPOSITIONS

composition 5

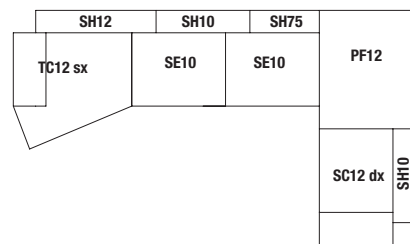
W 2250 D 1000/1390
 W 88 5/8" D 39 3/8" - 54 3/4"



L05

composition 11

W 4250 D 2500
 W 167 3/8" D 98 3/8"



A11

DATASHEET

VII.2016

Dimensions in millimeters and inches. The right to discontinue and make changes is reserved. This information is based on the latest product information available at the time of printing.