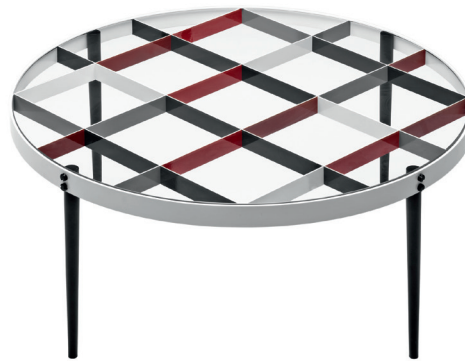


## D.555.1 SMALL TABLE — GIO PONTI 1954-55 / 2012

1—  
2



From Gio Ponti's house, located in via Dezza in Milan, the small table D.555.1, designed in 1954-1955, is produced by Molteni&C based on the original drawings from the ponti archives. It completes the Gio Ponti Collection which was a furnishing range designed by the architect between 1935 and 1950s. Metal hand painted structure and glass top.

### DATASHEET

REGISTERED  
DESIGN

VII.2016

D.555.1  
SMALL TABLE—  
GIO PONTI  
1954-55 / 2012

## FINISHES

Produced with metal legs. The parts of the metal grid are hand painted in different colours like the original design. The top is made of transparent glass.

Molteni & C

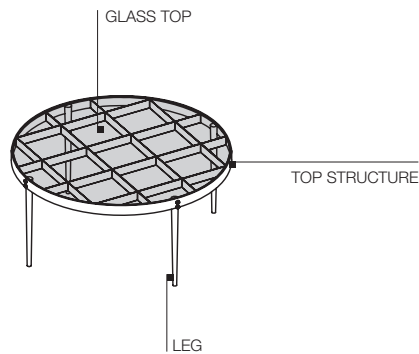
## TECHNICAL INFORMATION

TOP STRUCTURE  
Grid in hand painted steel.

GLASS TOP  
Tempered glass thickness 5 mm transparent extra light.

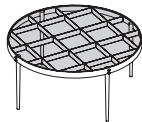
LEG  
In painted steel with plastic for floor placement.

2—  
2



## DIMENSIONS

Ø 800 H 370  
Ø 31 1/2" H 14 5/8"



D.555.1

## DATASHEET

REGISTERED  
DESIGN

VII.2016

Dimensions in millimeters and inches. The right to discontinue and make changes is reserved. This information is based on the latest product information available at the time of printing.