

D.151.4 ARMCHAIR — GIO PONTI 1951 / 2017

1—
2



Always passionate about nautical furnishings, Gio Ponti gained direct experience in four ocean liners and two cruise ships upgraded or built from scratch after the war, between 1949 and 1951: the Conte Grande, Africa, Oceania, Conte Biancamano, Andrea Doria and Giulio Cesare. Ponti designed this easy chair with slight variants for these ships.

DATASHEET

REGISTERED
DESIGN

IX.2018

Dimensions in centimeters and inches. The right to discontinue and make changes is reserved. This information is based on the latest product information available at the time of printing.

D.151.4
ARMCHAIR—
GIO PONTI
1951 / 2017

FINISHES

Covers are completely removable, both for fabric and leather versions.

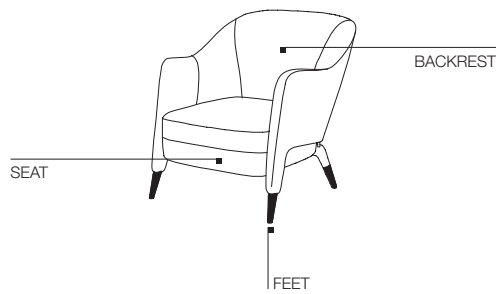
STRUCTURE FINISH
solid American walnut

Available in fire-resistant version (TB117 and BS5852).

TECHNICAL INFORMATION

- AESTHETIC STRUCTURE IN SOLID AMERICAN WALNUT;
- SOLID WOOD SEAT WITH ELASTIC BANDS AND FILLER IN MULTI-DENSITY POLYURETHANE;
- CONTOURED BACKREST MADE FROM METAL CROSSPIECES AND INJECTION MOULDED POLYURETHANE FILLER;
- BRASS FERRULES;
- FLOOR SLIDES IN NON-SLIP PLASTIC;
- PRODUCT WITH COMPLETELY REMOVABLE COVER, FOR BOTH FABRIC AND LEATHER VERSIONS.

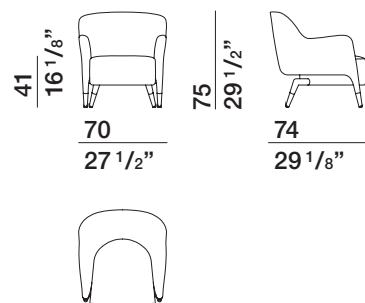
2—
2



DIMENSIONS

armchair

D.151.4



DATASHEET

REGISTERED
DESIGN

IX.2018