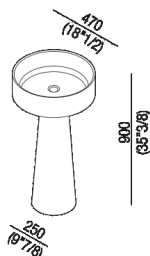


Column washbasin designed for wall drainage
ACER1081M_



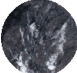

design Angelo Mangiarotti, 1970

Marble or Cristalplant® biobased washbasin.



Washbasin in white Carrara marble, grey carnic marble, black Marquina marble or in white Cristalplant® biobased, with cylindric basin and pedestal, without tap hole and without overflow, fixing kit included. Available in wall mounted or freestanding version. The wall-mounted version is furnished with a rear slot for water connections. Both versions require a .MET0563 waste. For the version with floor drainage the waste trap .MET0475 has to be used. The washbasin can be delivered also in stone or marble types on demand, price to be calculated.

Finiture

-  White
-  White Carrara
-  Grey Carnico
-  Black Marquina

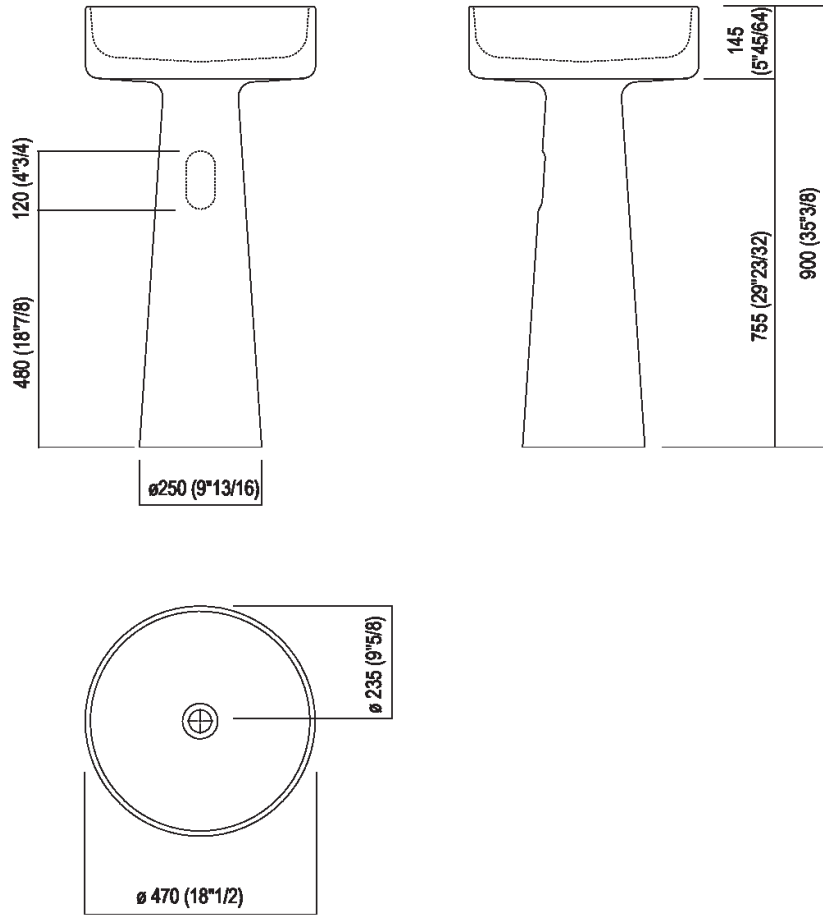
Materiali

-  Cristalplant® biobased
-  Marble

| | | |
|---------------------|-----------------|--------------------------------|
| Altezza: | 90 cm | 35" 3/8 inches |
| Diametro: | 47 cm | 18" 1/2 inches |
| Peso: | 18 kg | 40 lbs |
| Dimensioni imballo: | 57 x 57 x 95 cm | 22" 4/8 x 22" 4/8 x 37" 3/8 cm |
| Peso con imballo: | 20 kg | 44 lbs |

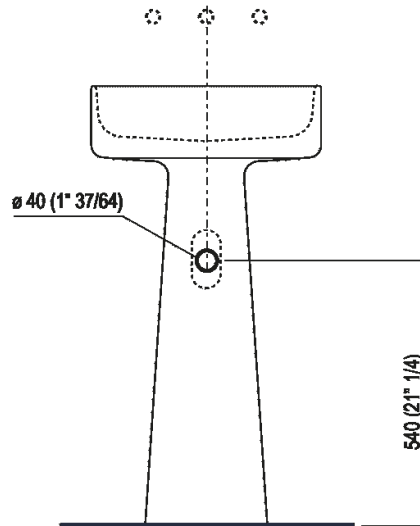
Note: The washbasin can be delivered also in stone or marble types on demand, price to be calculated. The above measurements refer to the Cristalplant® biobased version, for the marble version the measurements are: Weight: 172 lbs Packaging: 21" 5/8 x 26" 6/8 x 31" 4/8 Gross weight: 216 lbs

Main dimensions - Cristalplant® biobased version

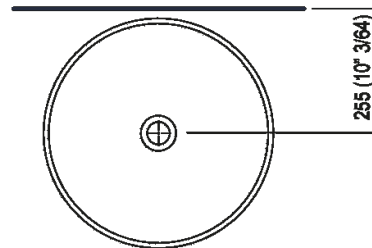




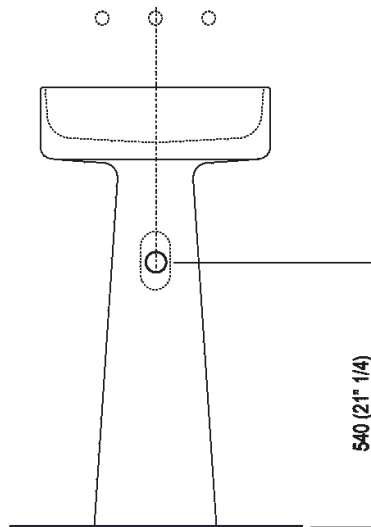
Installation notes: wall mounted tap



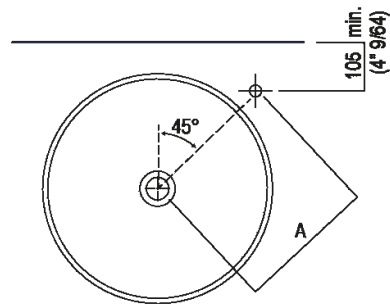
Scarico per sifone a bottiglia
Drain for bottle trap



Installation notes: floor-mounted tap



Scarico per sifone a bottiglia
Drain for bottle trap



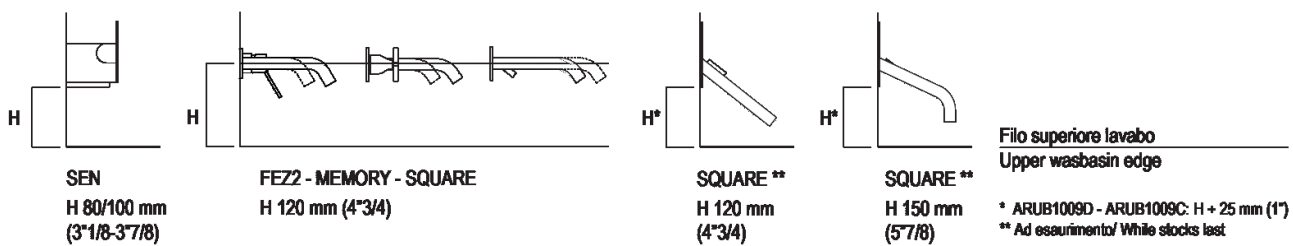
| | | A |
|--------|-----------|----------------|
| FEZ2 | AFEZ004 | 355 (13"31/32) |
| | ARUB146 | 355 (13"31/32) |
| MEMORY | AMEM323 | 355 (13"31/32) |
| | ARUB1092 | 355 (13"31/32) |
| SEN | ASEN0962N | 285 (11"7/32) |
| SQUARE | ARUB1096 | 285 (11"7/32) |
| | ARUB1020* | 285 (11"7/32) |

*ad esaurimento / while stocks last

Tap position, recommended height

POSIZIONE RUBINETTERIA / TAP POSITION

Altezza consigliata / Recommended height



Main dimensions - marble version

