

BALTIMORA — MATTEO NUNZIATI 2023

1—
3



Baltimore is a double-sided storage-display island, perfect for use in the centre of the room. Versatile and eclectic, it can adapt to any proposal in the bedroom area, creating a unicum with existing wardrobes or walk-in closets. Available in 148,2 and 181 cm, it is designed to elegantly contain, display, and accommodate any item intended for the dressing room area. The Baltimore is extremely functional with a dual purpose: storing objects related to the bedroom area and, thanks to the bench with soft cushions available in all the fabrics and leathers of the Molteni&C collection, creating a welcoming seating area. In addition, the two drawers located at the bottom of the bench become another storage element. The island, with soft and rounded lines, is composed of a transparent glass top with a frame in pewter, bronze, and iris. Or, alternatively, a top in ecoskin with a eucalyptus structure, onto which the cushions are placed, which are available in all the fabrics and leather in the Molteni&C collection.



This symbol shows that the product has removable upholstery. Only qualified personnel can remove the upholstery of some of our products. If this information is pertinent, it will be included in the warnings section.



This symbol shows that the product is available on request in a fire resistant version that complies with the standards BS 5852 and TB 117-2013. The buyer is responsible for checking to make sure that the product is suitable and compliant with the requirements for the designated use and the current applicable laws and standards for the destination and use of the product.

DATASHEET

REGISTERED
DESIGN

IX.2023

BALTIMORA—
MATTEO
NUNZIATI
2023

FINISHES

STRUCTURE FINISH
eucalyptus

FINISHES OF TOP PROFILE / UPPER DRAWERS HANDLE
pewter colour - bronze - iris

TOP FINISHES
- transparent glass
- Eco Skin in the colours:
grey - mink - hemp - ivory
dark brown - earth - arctic - taupe

2—
3

TECHNICAL INFORMATION

STRUCTURE
Chipboard panel covered in Eucalyptus wood veneer (side, back, and front panels).

GLASS TOP
Frame made of painted extruded aluminium and tempered extra-clear transparent glass.

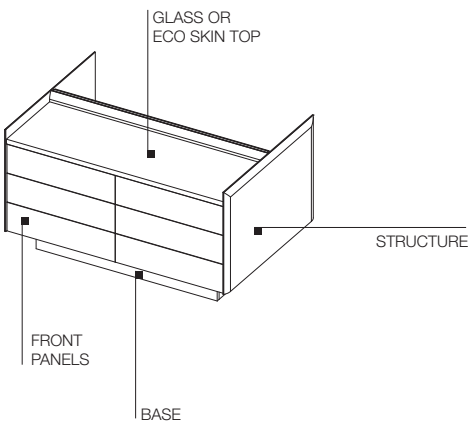
ECO SKIN TOP
Frame made of painted extruded aluminium and chipboard panel covered in Eco Skin.

SEAT
Polyurethane foam padding with variable density and high bearing capacity. Cover in bonded velveteen.

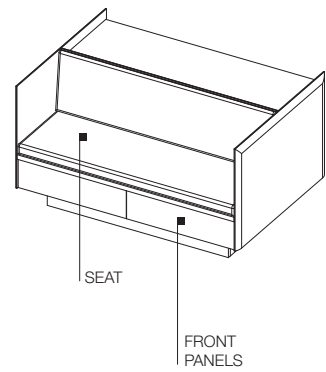
BASE
Chipboard panel with melamine facing, painted anthracite.



side A



side B



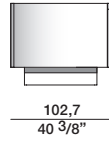
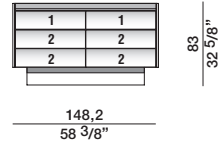
DATASHEET
REGISTERED
DESIGN
IX.2023

BALTIMORA—
MATTEO
NUNZIATI
2023

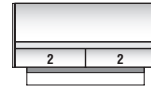
DIMENSIONS

island

side **A**



side **B**



legend

- 1 = drawer with handle
- 2 = drawer with pressure opening

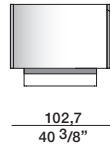
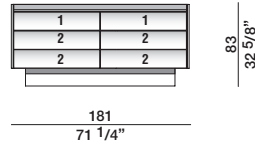


Eco Skin top transparent glass top
IB/1408

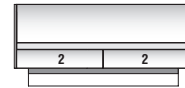
3—
3

island

side **A**



side **B**



legend

- 1 = drawer with handle
- 2 = drawer with pressure opening



Eco Skin top transparent glass top
IB/1808

DATASHEET

REGISTERED
DESIGN

IX.2023