

# VIS À VIS SOFA

PIERGIORGIO CAZZANIGA

CASA  
DESIGN  
GROUP



## DESCRIPTION

The Vis à vis sofa brings an ode to pure design. Slender, teak platforms support comfortable outdoor cushions without any visible back or arm structure. The cushions are supported by brackets in stainless steel which means that the sofa looks great from whichever way you look at it. Moreover, you can attach a graphic border or practical side tables to the platform, composed of square slats. The outdoor cushions can be left outside, even in the rain, thanks to the ventilating filling in a waterproof cover. The Vis à Vis sofa offers a modular system in which endless compositions are possible, from a small meridienne sofa to a large corner sofa.

## MATERIALS

- Frame: A-grade plantation teak from East-Java, every part is handpicked during the cutting process of the tree
- Hardware: 316 electropolished stainless steel. The connector plates that connect the teak platforms to the borders and the tables are CNC cut solid parts
- Cushion braces: the cushions slide over braces in 316 electropolished stainless steel.

## CUSHIONS

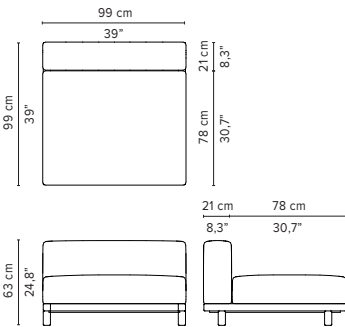
The filling has a cover in a laminated, water-repellent polypropylene material which prevents water from penetrating. The thread used to stitch the seams swells when getting wet, preventing water from penetrating through the seams. Moreover, the seams are protected on the inside with an extra covering. If nevertheless water should penetrate, the material is breathable, letting moisture out to prevent moulding. Fabrics available in category D, E & F.

A casual (high) back cushion is needed to provide a comfortable seating comfort (C0012W or C0012BHW).

# VIS À VIS SOFA

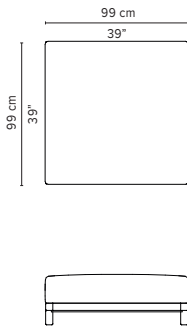
TECHNICAL DRAWINGS

## 01700 - Extension module single



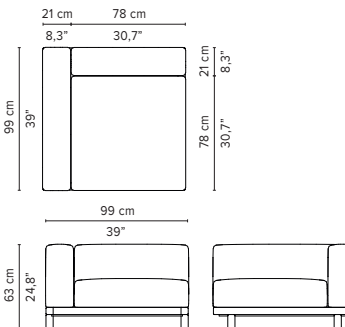
delivery unit: 1  
packaging teak platform:  
01792  
110,5 x 102,5 x H9 cm - 0,10 m<sup>3</sup>  
20 kg  
cushions: C01700W  
0,19m<sup>3</sup> - 9,5 kg  
braces: 0,02m<sup>3</sup> - 1,4 kg

## 01792 - Pouf module



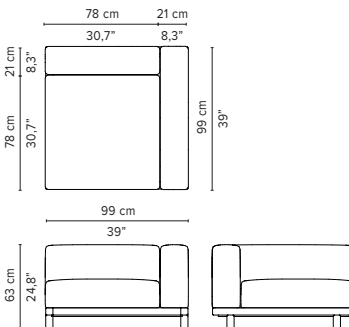
delivery unit: 1  
packaging teak platform:  
01792  
110,5 x 102,5 x H9 cm - 0,1 m<sup>3</sup>  
20 kg  
cushion: C01792W  
0,19m<sup>3</sup> - 8 kg

## 01701R - Center module right arm



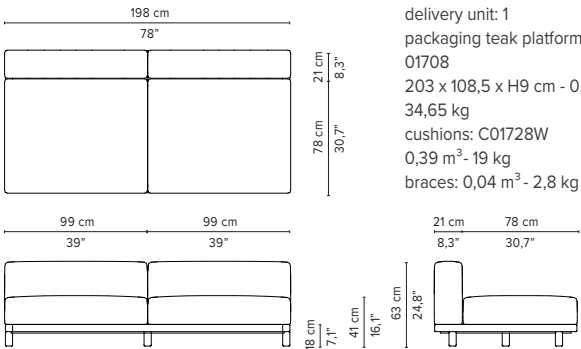
delivery unit: 1  
packaging teak platform:  
01792  
110,5 x 102,5 x H9 cm - 0,10 m<sup>3</sup>  
20 kg  
cushions: C01701W  
0,19 m<sup>3</sup> - 11,25 kg  
braces: 0,04 m<sup>3</sup> - 2,6 kg

## 01701L - Center module left arm



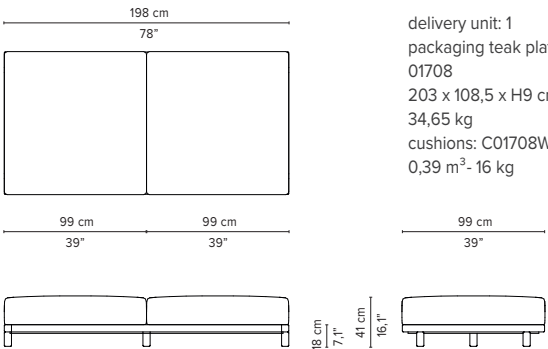
delivery unit: 1  
packaging teak platform:  
01792  
110,5 x 102,5 x H9 cm - 0,10 m<sup>3</sup>  
20 kg  
cushions: C01701W  
0,19m<sup>3</sup> - 11,25 kg  
braces: 0,04m<sup>3</sup> - 2,6 kg

## 01728 - Extension module double



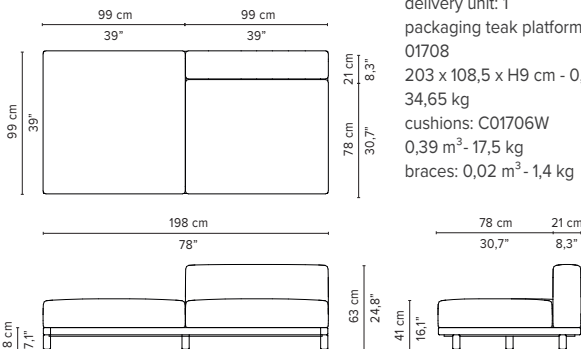
delivery unit: 1  
packaging teak platform:  
01708  
203 x 108,5 x H9 cm - 0,2 m<sup>3</sup>  
34,65 kg  
cushions: C01728W  
0,39 m<sup>3</sup> - 19 kg  
braces: 0,04 m<sup>3</sup> - 2,8 kg

## 01708 - Center module



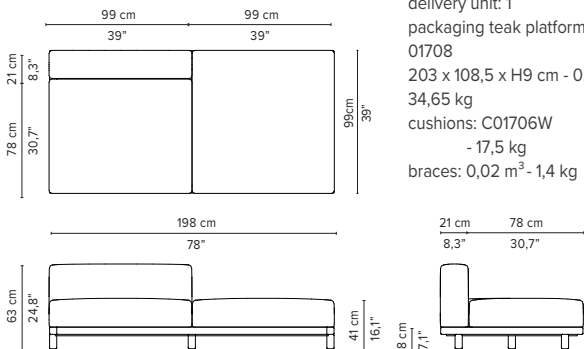
delivery unit: 1  
packaging teak platform:  
01708  
203 x 108,5 x H9 cm - 0,2 m<sup>3</sup>  
34,65 kg  
cushions: C01708W  
0,39 m<sup>3</sup> - 16 kg

## 01706R - Extension pouf right



delivery unit: 1  
packaging teak platform:  
01708  
203 x 108,5 x H9 cm - 0,2 m<sup>3</sup>  
34,65 kg  
cushions: C01706W  
0,39 m<sup>3</sup> - 17,5 kg  
braces: 0,02 m<sup>3</sup> - 1,4 kg

## 01706L - Extension pouf left



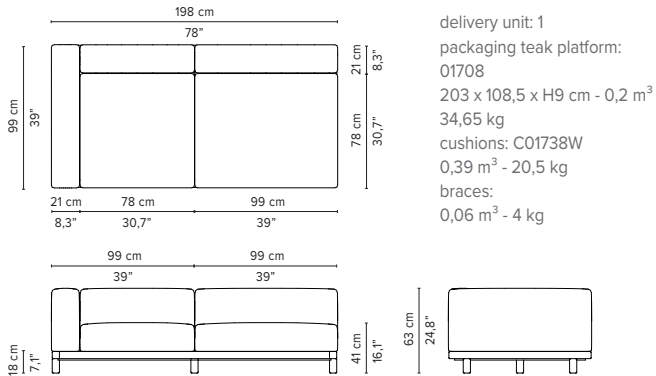
delivery unit: 1  
packaging teak platform:  
01708  
203 x 108,5 x H9 cm - 0,2 m<sup>3</sup>  
34,65 kg  
cushions: C01706W  
- 17,5 kg  
braces: 0,02 m<sup>3</sup> - 1,4 kg

\* Appearances, measurements and weights may slightly differ from reality.  
The cushions on the drawings are not included in the article.

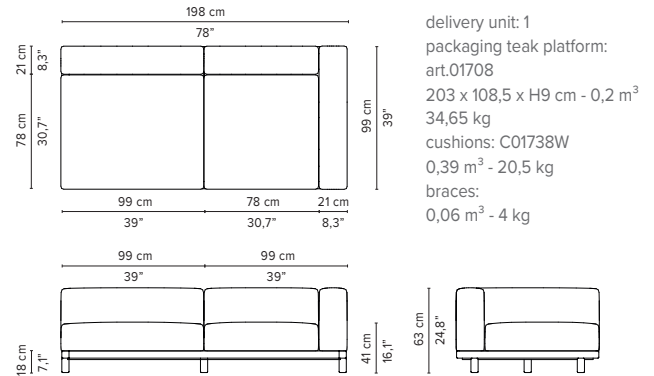
# VIS À VIS SOFA

TECHNICAL DRAWINGS

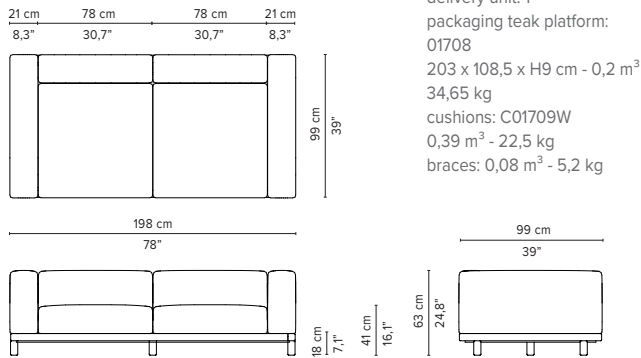
## 01738R - Right arm module



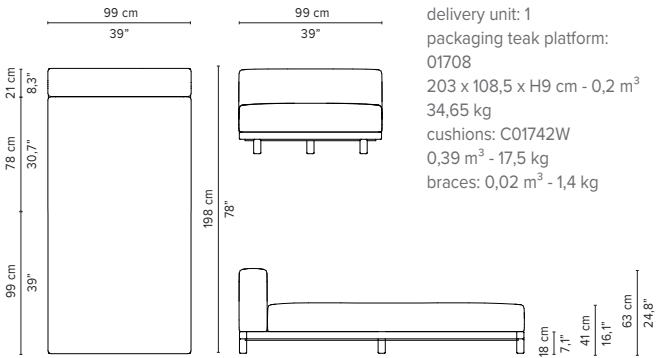
## 01738L - Left arm module



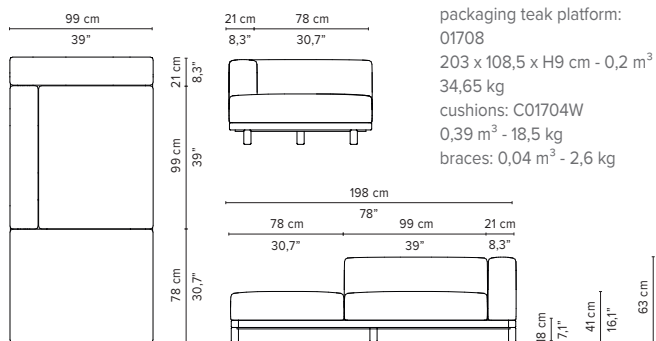
## 01709 - 2-seater



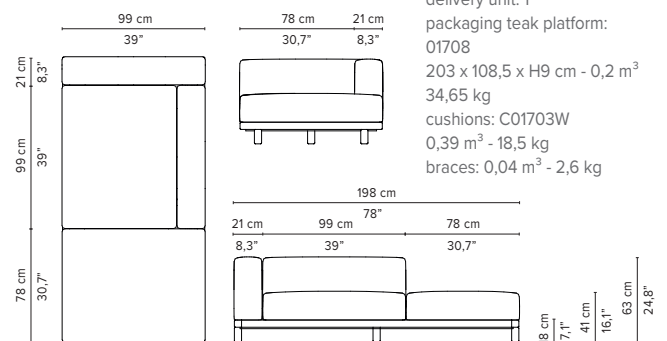
## 01742 - Daybed module



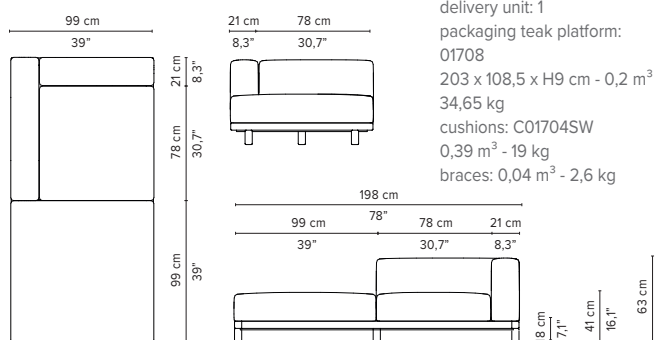
## 01704 - Meridienne right long arm



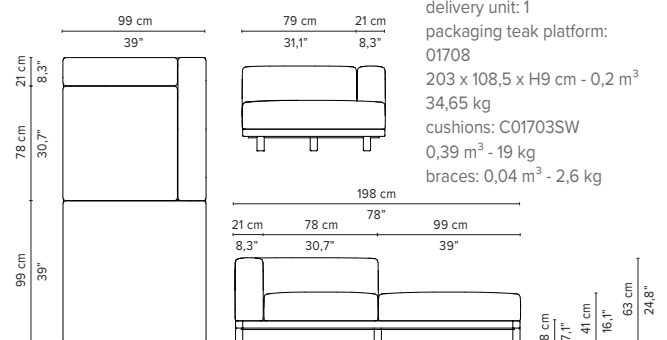
## 01703 - Meridienne left long arm



## 01704S - Meridienne right short arm



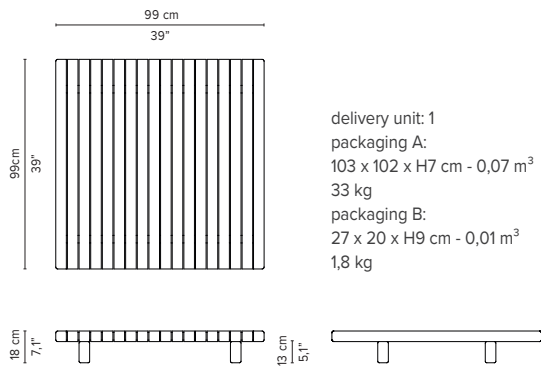
## 01703S - Meridienne left short arm



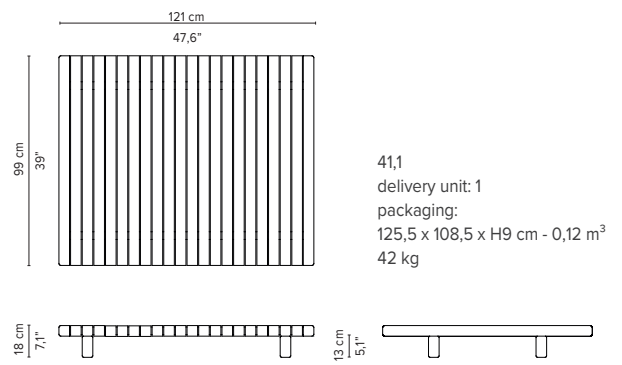
# VIS À VIS SOFA

## TECHNICAL DRAWINGS

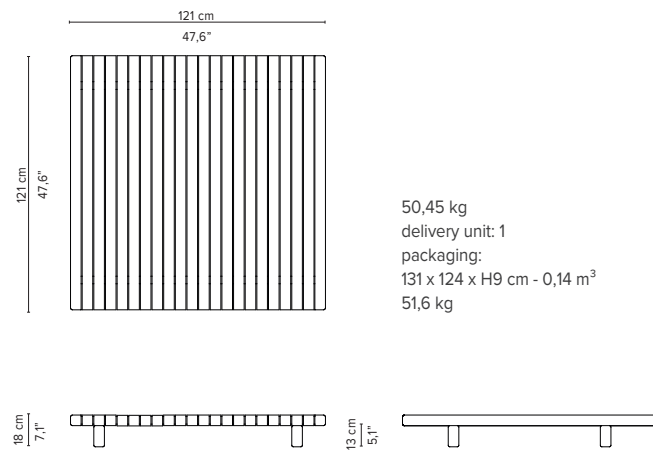
01781 - Coffee table 99 x 99 cm



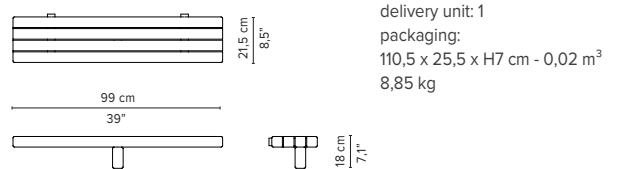
01784 - Coffee table 121 x 99 cm



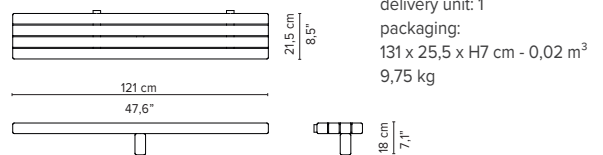
01786 - Coffee table 121 x 121 cm



01796B - Border 99 cm



01797B - Border 121 cm



C0012W - Casual back cushion

63 x 45 x 15 cm (w x h x d)

This casual back cushion is recommended  
for optimal seating (C0012W or C0012BHW)

C0012HBW - Casual high back cushion

76 x 60 x 15 cm (w x h x d)

Support bracket in stainless steel with cover in fabric included

# VIS À VIS SOFA

---

## PROTECTION COVERS

For each item a cover is available that protects the furniture against dirt. These covers in grey colour are made of PU coated polyester which is water-repellent and UV-resistant. Thanks to their excellent breathable qualities the covers reduce condensation and heat build-up, helping to prevent the formation of mold and mildew. Nevertheless, they are not 100% waterproof. Always make sure that furniture, cushions and covers are completely dry before covering furniture.

## MAINTENANCE

### Teak

Treat new teak with Teak Protector 4 à 6 weeks after installation. Teak Protector applies an invisible film that prevents stains and green deposit. Soiled teak can be cleaned with Teak Super Cleaner. Leave the furniture to dry completely and then apply Teak Protector. To avoid labour-intensive cleaning, you can treat the wood with Teak Sealer. A simple cleaning with water and a ph-neutral soap will do for many years. Teak Sealer contains UV protection to slow down the graying from the sun as well as a fungicide to prevent the growth of mold and mildew.



D9914  
Teak Super  
Cleaner



D9912  
Teak Protector



D9959  
Teak Sealer



# VIS À VIS SOFA

PROJECT REFERENCES



Gran Hotel, Ibiza – Vis à Vis sofa