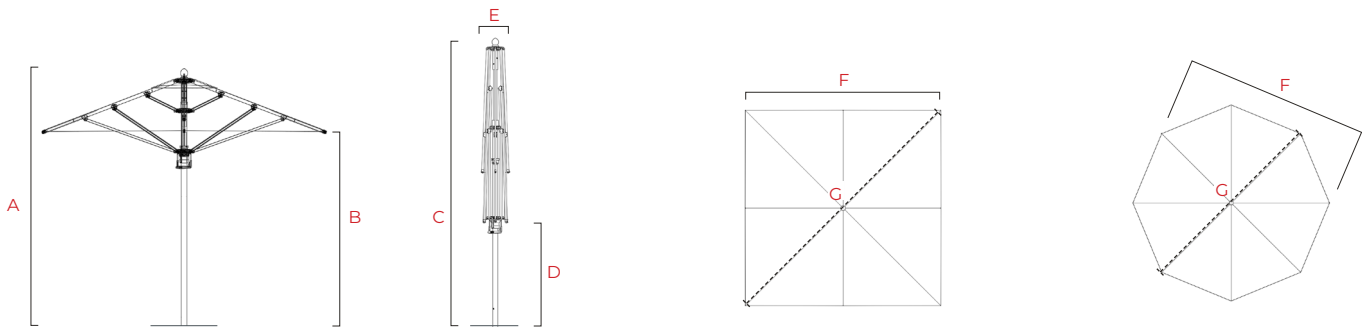




PRODUCT SPECIFICATIONS

BAY MASTER MAX CLASSIC



SHAPES		SQUARE		OCTAGON
SIZES (ft/cm)		10.0 / 305	13.0 / 400	14.0 / 425
<b>A</b> (in/cm)	MAST HEIGHT (open)	113 / 287	113 / 287	113 / 287
<b>B</b> (in/cm)	CANOPY CLEARANCE	86 / 217	86 / 217	86 / 217
<b>C</b> (in/cm)	MAST HEIGHT (closed)	138 / 350	146 / 371	138 / 350
<b>D</b> (in/cm)	TABLE CLEARANCE	45 / 114	33 / 84	45 / 114
<b>E</b> (in/cm)	PARASOL WIDTH (closed)	13 / 34	19 / 47	22 / 56
<b>F</b> (in/cm)	FLAT TO FLAT	119 / 302	156 / 396	155 / 393
<b>G</b> (in/cm)	POINT TO POINT	170 / 432	223 / 566	167 / 425
(ft <sup>2</sup> /m <sup>2</sup> )	CANOPY AREA COVERAGE	96.9 / 9	169 / 15.7	142 / 13.2