

# Turbo Table

MAARTEN BAAS



Spontaneous and refreshing, the car's abstract design conveys the uncontaminated simplicity of childhood's thoughts and dreams. A candid sketch of a car roars to life and parks itself in your living room.

## *Detailing*



The Turbo Table is fully equipped. Its antenna serves as a whimsy penholder.

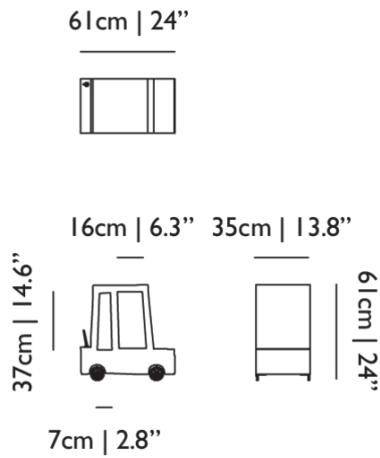
## *Colours*



Oak

## Turbo Table / High

### Dimensions



### Product

**WIDTH** 61cm | 24"  
**HEIGHT** 61cm | 24"  
**DEPTH** 35cm | 13.8"  
**WEIGHT NETTO** 30kg | 66.14lbs

### Packaging

**WIDTH** 80cm | 31.5"  
**HEIGHT** 80cm | 31.5"  
**CUBAGE** 0.32m<sup>3</sup> | 11.3ft<sup>3</sup>  
**LENGTH** 50cm | 19.7"  
**WEIGHT** 35kg | 77.16lbs

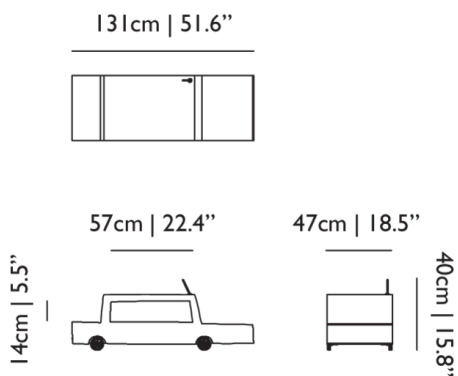
### Technical

#### MATERIAL

Wooden frame, movable cast bronze wheels.

## Turbo Table / Low

### Dimensions



### Product

**WIDTH** 131cm | 51.6"  
**DEPTH** 40cm | 15.7"  
**DIAMETER** 47cm | 18.5"  
**WEIGHT NETTO** 60kg | 132.28lbs

### Packaging

**WIDTH** 140cm | 55.1"  
**HEIGHT** 50cm | 19.7"  
**CUBAGE** 0.42m<sup>3</sup> | 14.83ft<sup>3</sup>  
**LENGTH** 60cm | 23.6"  
**WEIGHT** 65kg | 143.3lbs

### Technical

#### MATERIAL

Wooden frame, movable cast bronze wheels.