

---

# Raj 4 / Raj 4 Light

---

*Ricardo Bello Dias*  
2008



# Raj 4 / Raj 4 Light

Ricardo Bello Dias , 2008

## Raj 4:

Tavolo mono base con giunto centrale in alluminio cromato a 4 vie e piano in cristallo 15 mm, trasparente o trasparente extralight. Struttura in acciaio inox lucido con pannellatura in lastra d'acciaio lucido.

## Raj 4 Light:

Tavolo mono base con giunto centrale in alluminio cromato a 4 vie e piano in cristallo 15 mm, trasparente o trasparente extralight. Struttura in acciaio inox lucido.

## Raj 4:

Table with one base with "4 ways" chromed aluminium.

Central part and 15 mm transparent glass top or transparent extralight.

Bright stainless steel base with bright steel insert.

## Raj 4 Light:

Table with one base with "4 ways" chromed aluminium.

Central part and 15 mm transparent glass top or transparent extralight.

Bright stainless steel base.

## Dimensioni / Sizes

Cm:

140 x 140 x 74h

150 x 150 x 74h

160 x 160 x 74h

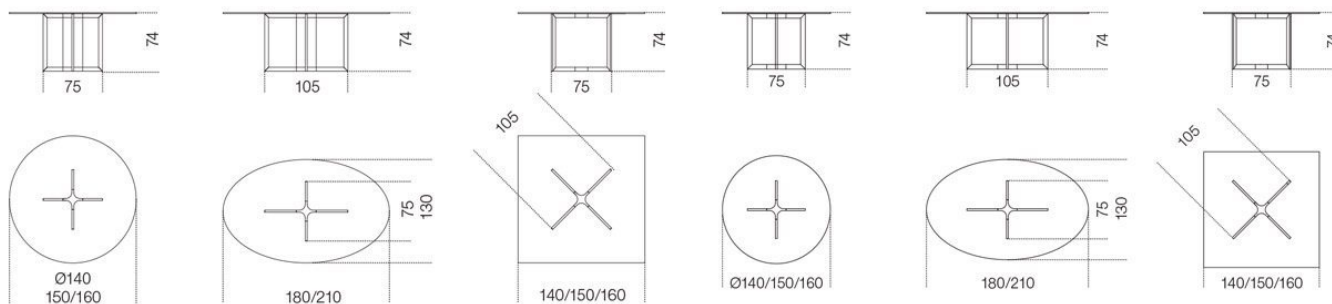
Ø 140 x 74h

Ø 150 x 74h

Ø 160 x 74h

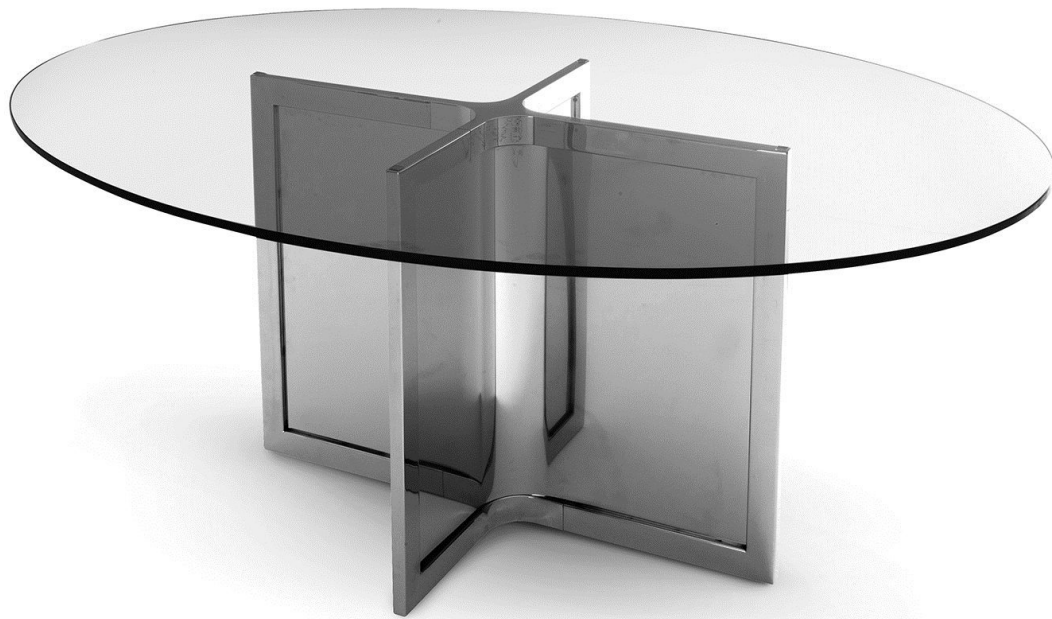
180 x 130 x 74h

210 x 130 x 74h

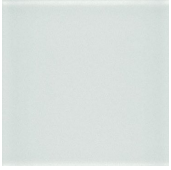


Raj 4/Raj 4 Light





*Cristallo / Glass*



*Trasparente*  
*Transparent*

---