



Small tables in solid scented cedar, available in two diameters, machined from a section of a tree trunk, highlighting the typical concentric rings of the tree.

STANDARD VERSION: ON WHEELS, RECESSED UNDERNEATH
DIAMETER TOLERANCE: +/- 10 CM

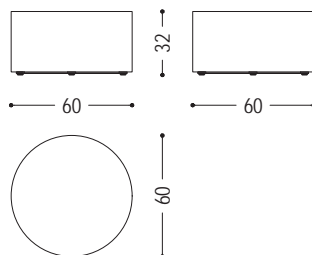
CODE	SIZE	A7	A9
NATURA-ECO1	Ø 60 x H.32	■	■
NATURA-ECO2	Ø 90 x H.32	■	■

AVAILABLE FINISHES:

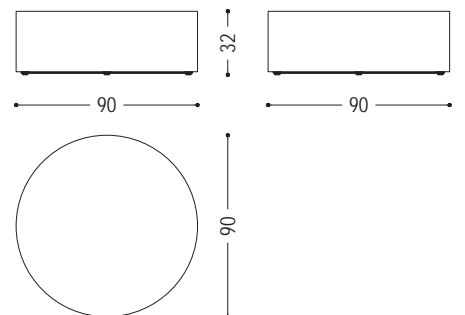
A7: cedar

A9: cedar contract finish, vulcano cedar

NATURA-ECO1



NATURA-ECO2



WOOD

A7



cedarwood

A9



cedarwood contract finish



vulcano cedarwood