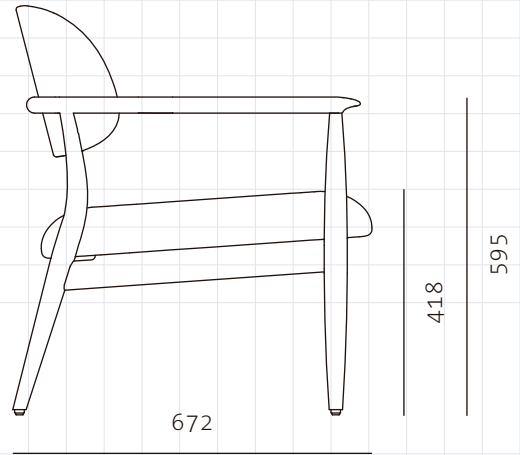
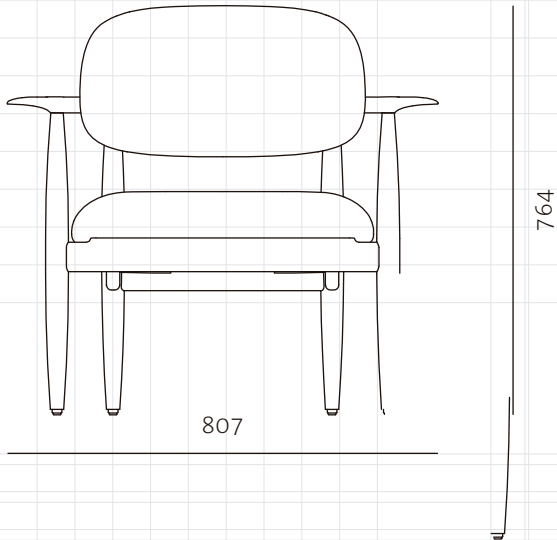


**SLOW COLLECTION
BY SPACE COPENHAGEN**

Slow Lounge Chair



**CODE
DIMENSIONS**

SL-S111
W807 x D672 x H764mm
Seating height: 418mm

**NET WEIGHT
ENVIRONMENT
MATERIALS**

11.0 kg
Indoor
Solid wood frame, Upholstery
*Please refer to website or contact your local representative for complete material swatches.

SHIPPING

Package	Assembled		
Package Qty	1 pcs/box		
Packaging	Measurement (mm)	Volume (cbm)	Gross Weight (kg)
FCL	W872 x D737 x H849	0.55	18.0
LCL/AIR	W892 x D757 x H944	0.64	26.0