

GILBERT

2022 SEBASTIAN HERKNER



DESIGN INSPIRATION

'Gilbert', designed by Sebastian Herkner, gives you the opportunity to design your own, contemporary version of the 19th century tête-à-tête: a sofa that allows people to sit at an angle and invites you in for a proper talk. Of course, spending hours lounging in silence with a good book is also an option. Comfort, flexibility and individuality – 'Gilbert' has it all.



GILBERT

DESIGNED BY SEBASTIAN HERKNER

'There is a sensitivity and identity to my work that emphasizes the function, the material and the detail.' Sebastian Herkner (1981) studied Product Design at Offenbach Design Academy. He interned at Stella McCartney in London where he developed a liking and true flair for colour, material and their connection—a characteristic that has never left him. As early as 2006 Sebastian established his own studio and has since been involved in projects for a wide range of companies and institutes, increasingly gaining international acclaim. By now, his trophy cabinet must be bursting at the seams and Maison&Objet even elected him "2019 - Designer of the Year". Sebastian pairs an unconditional love for traditional craftsmanship with a feel for new technologies, a combination resulting in refined shapes and tactile surfaces—the perfect match with LINTELOO.



SPECIFICATIONS

Body (seat/back): Wooden frame with polyurethane foam in varying densities for optimum support and comfort, wrapped in hypoallergenic polyester fibre, 100% cotton inner cover.

Coupling system: The elements in any configuration are joined together by a metal coupling system.

Legs: Black polyurethane (not visible).

Upholstery: Composition of fabrics depends on the customer's choice of upholstery. Leathers are either aniline or pigmented/sealed.

Origin: Hand made in Italy

OPTIONS

Upholstery: Fabric: removable body cover, available in all fabrics from the LINTELOO collection. Leather: removable scatter cushion covers, fixed body cover, available in all leathers from the LINTELOO collection. Customers can opt to supply their own choice of upholstery fabric/leather. Please note: leather upholstery requires more (visible) seams than fabric upholstery. For an impression of LINTELOO's fabrics and leathers, see 'Materials' at linteloo.com

Special features: Full set of fabric replacement covers available at 50% of the current retail price of the piece of furniture. Leather replacement covers on request. For optimum versatility, each seating element can also be placed in the room as a separate piece of furniture.

MAINTENANCE

All LINTELOO furniture has been made with love and care. Of course, we want you to enjoy it, for as long as possible. Proper maintenance will prolong its lifespan, which is why each piece of LINTELOO furniture comes with a maintenance instruction booklet, also available for download at linteloo.com. Detailed information on care and cleaning, including the recommended products, can also be found at linteloo-care.nl

Upholstery: Maintenance of the upholstery obviously depends on your choice of fabric or leather. As a rule of thumb, fabric upholstery—especially when removable—is easier to clean in case of spots and spills than leather. On the other hand, leather will handle regular wear and tear better, in a sense that the odd sign of use only adds to its character.

Cushions: Again, the level of maintenance depends on your choice of filling. Down/feather-filled cushions require regular plumping up and airing. But you may prefer the firmer seating experience and hypoallergenic qualities that a 100% polyester filling provides.

Legs: The occasional wipe-down with a damp cloth is all it takes.



GILBERT

WARRANTY

All LINTELOO sofas and chairs are backed by a 10-year warranty on the frame. Cushions, upholstery and all other LINTELOO products are backed by a 3-year warranty, with a depreciation of 1/3 each year. Please make sure you keep your invoice or receipt.

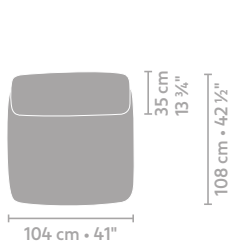
Excluded from the warranty are:

- Regular wear and tear, damages and discolouration of upholstery (fabric and/or leather).
- Creasing, colour and structure variations and other irregularities, which are part of the natural characteristics of fabrics, leather and/or wood.
- Complaints regarding fabrics and/or leathers which are not part of the standard LINTELOO collection (specially supplied fabrics and/or leathers).
- Damages caused by improper use, inadequate or incorrect maintenance, or repairs carried out outside the scope of LINTELOO's responsibility. LINTELOO uses the Terms and Conditions of the Centrale Bond van Meubelfabrikanten, available at www.linteloo.com.

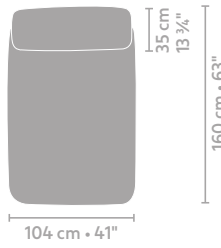
If you have any questions, please contact your LINTELOO dealer or LINTELOO's customer service department.



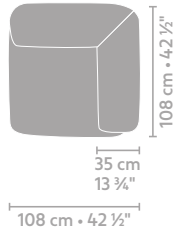
GILBERT



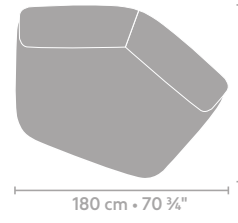
104 cm • 41"



104 cm • 41"



108 cm • 42 1/2"



180 cm • 70 3/4"

145 cm • 57"



41 cm
16 1/4"



41 cm
16 1/4"



41 cm
16 1/4"



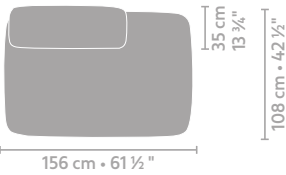
41 cm
16 1/4"

central element 104 x 108
metrage (m) 4,95

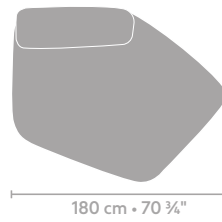
central element 104 x 160
6,05

corner element 108 x 108 L/R
6,60

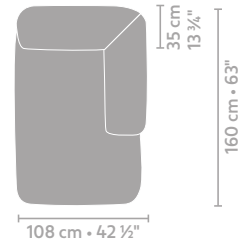
large corner pentangular 180 x 145
7,92



156 cm • 61 1/2"



180 cm • 70 3/4"



108 cm • 42 1/2"

160 cm • 63"



41 cm
16 1/4"



41 cm
16 1/4"

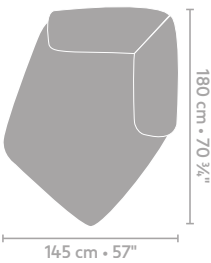


41 cm
16 1/4"

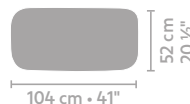
terminal element 156 x 108 L/R
metrage (m) 6,60

pentangular terminal element 108 x 108 L/R
6,05

longchair 108 x 160 L/R
7,70



180 cm • 145 cm



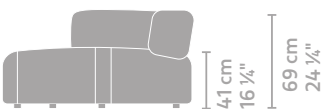
104 cm • 41"



104 cm • 41"



53 cm • 21"



41 cm
16 1/4"



41 cm
16 1/4"



41 cm
16 1/4"



12 cm
4 3/4"

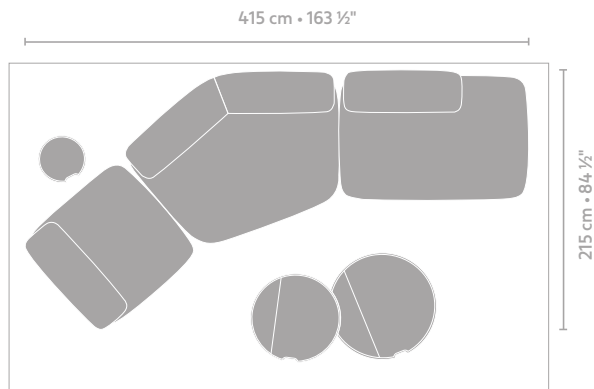
chaise longue 180 x 145 L/R
metrage (m) 7,92

ottoman 104 x 52
2,86

ottoman 104 x 108
3,30

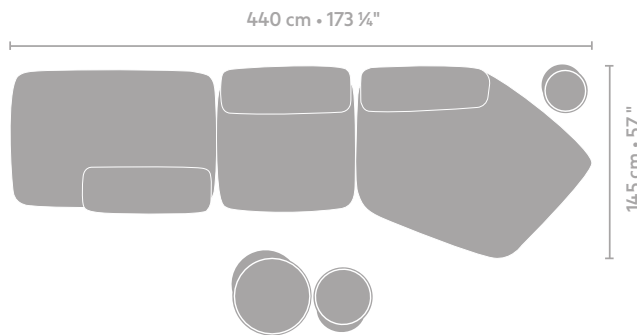
block cushion 53 x 30
1,43

CONFIGURATION 1



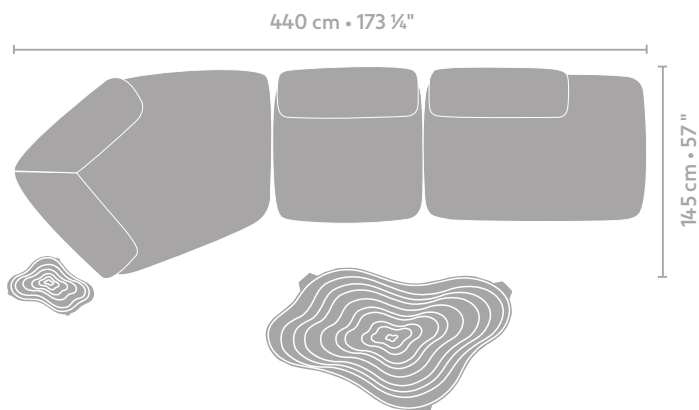
- central element 104 x 108
- large corner pentangular 180 x 145
- terminal element R
- Clamp side table 40 x 50
- Clamp coffee table 75 x 40
- Clamp coffee table 90 x 30
- Tussah carpet

CONFIGURATION 2



- terminal element R
- central element 104 x 108
- terminal element R pentangular 180 x 145
- Balanced medium
- Balanced large
- Balanced extra large

CONFIGURATION 3



- chaise longue 180 x 145 R
- central element 104 x 108
- terminal element R
- Isola side table 61 x 40
- Isola coffee table 226 x 148