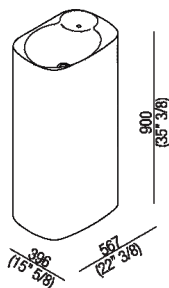






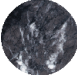


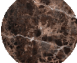
Column washbasin designed for wall
drainage
ACER0763FM0_

Andrea Morgante (Shiro Studio) - Shiro
Studio, 2010

White Cristalplant® biobased and marble
independent washbasin



Finishes

-  White
-  White Carrara
-  Grey Carnico
-  Black Marquina
-  Green Alpi
-  Dark Emperador

Materials

-  Cristalplant® biobased
-  Marble

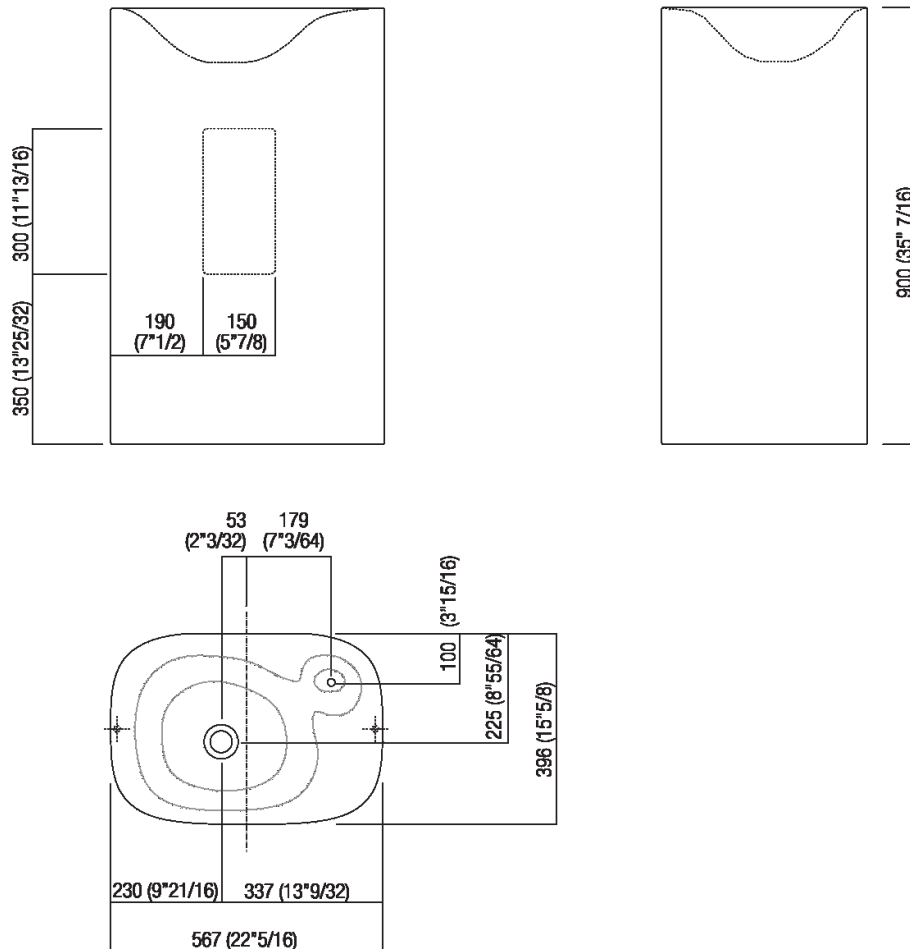
Rectangular wall mounted or column washbasin in white Cristalplant® biobased with overflow hole in a small basin connected with the main basin, which also can be used as a soap holder. Wall mounted version with or without tap hole. Column version also available in white Carrara marble, grey carnico marble, black Marquina marble, green Alpi marble or dark Emperador marble, without tap hole, designed for wall or floor mounted drain discharge. All models use waste .MET0563. For the version with floor mounted discharge, it is mandatory to insert waste trap .MET0519. Fixing kit included. The overflow hole has a maximum capacity of 8 l/min, therefore it is advisable to install a waste designed for washbasins without overflow.

Height:	90 cm	35" 3/8 inches
Width:	56.7 cm	22" 3/8 inches
Weight:	33 kg	73 lbs
Depth:	39.6 cm	15" 3/8 inches
Packaging:	50 x 60 x 100 cm	19" 5/8 x 23" 5/8 x 39" 3/8 inches
Total weight:	53 kg	117 lbs

Note: The above measurements refer to the Cristalplant® biobased version, for the marble version the measurements are: Weight: 210 kg - 462 lbs Packaging: 50 x 66 x 100 cm - 19" 5/8 x 26" x 39" 3/8Gross weight: 230 kg - 507 lbs

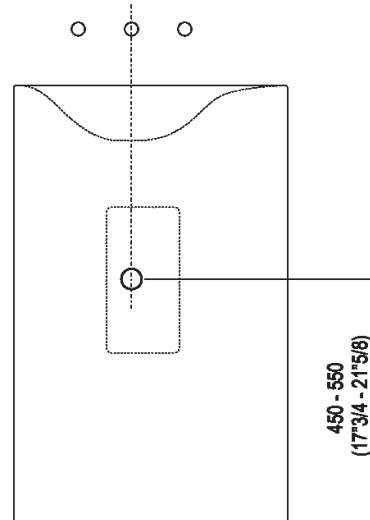


Main dimensions

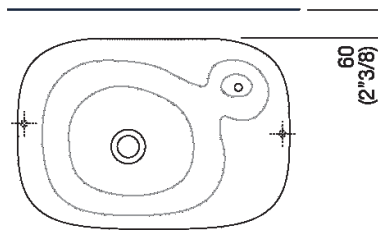




Installation notes



Scarico per sifone a bottiglia
Drain for bottle trap

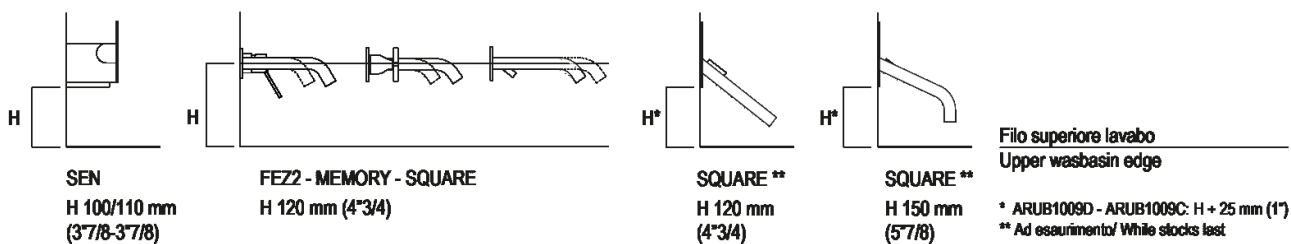




Tap position, recommended height

POSIZIONE RUBINETTERIA / TAP POSITION

Altezza consigliata / Recommended height

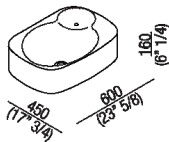




Wall mounted washbasin without tap hole
ACER0763M0Z

Andrea Morgante (Shiro Studio) - Shiro
Studio, 2010

Rectangular washbasin in Cristalplant®
biobased or marble.



Wall mounted washbasin in white Cristalplant® biobased with overflow hole in a small basin connected with the main basin, which also can be used as a soap holder. Wall mounted version with or without tap hole. Designed for waste .MET0563. Fixing kit included. The overflow hole has a maximum capacity of 8 l/min, therefore it is advisable to install a waste designed for washbasins without overflow.

Finishes



White

Materials

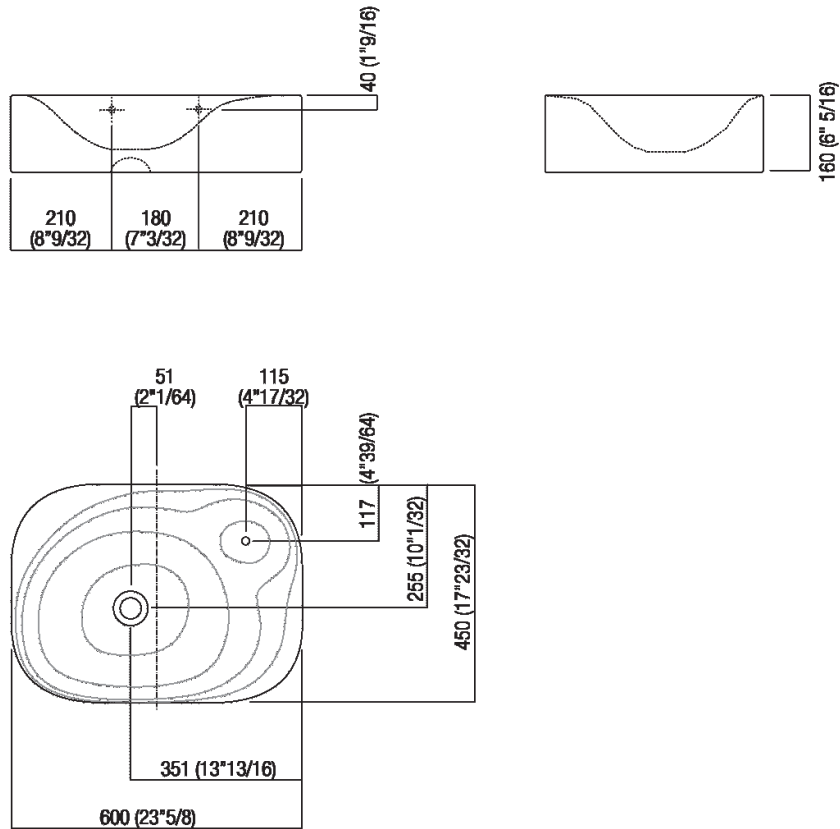


Cristalplant® biobased

Height:	16 cm	6" 1/4 inches
Width:	60 cm	23" 5/8 inches
Weight:	13 kg	29 lbs
Depth:	45 cm	17" 3/4 inches
Packaging:	55 x 70 x 25 cm	21"5/8 x 27"4/8 x 9"7/8 inches
Total weight:	16 kg	35 lbs

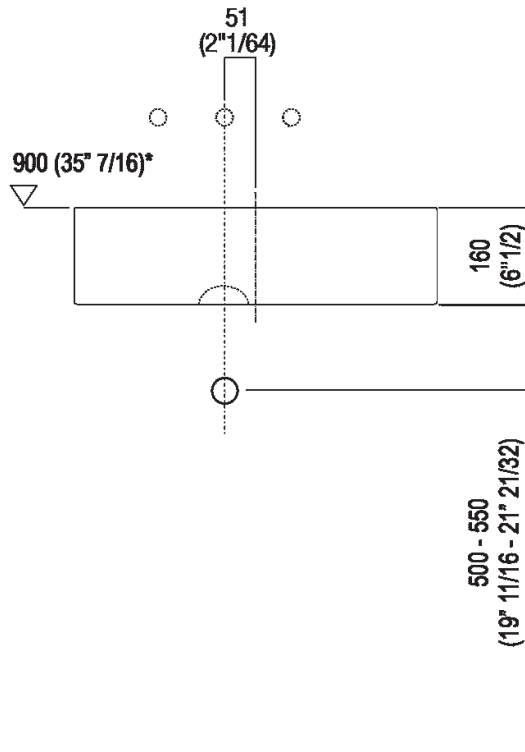


Main dimensions





Installation notes

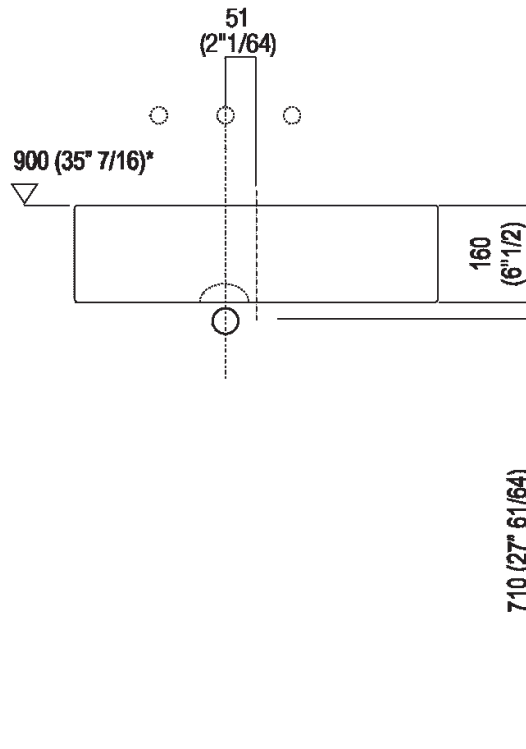


Scarico per sifone a bottiglia
Drain for bottle trap

*h.consigliata / advised h.



Installation notes

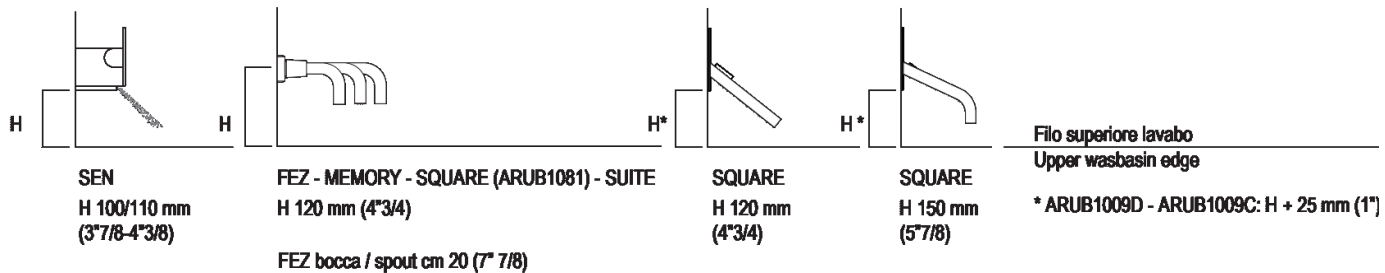


Scarico per sifone ad incasso
Drain for concealed waste trap

*h.consigliata / advised h.

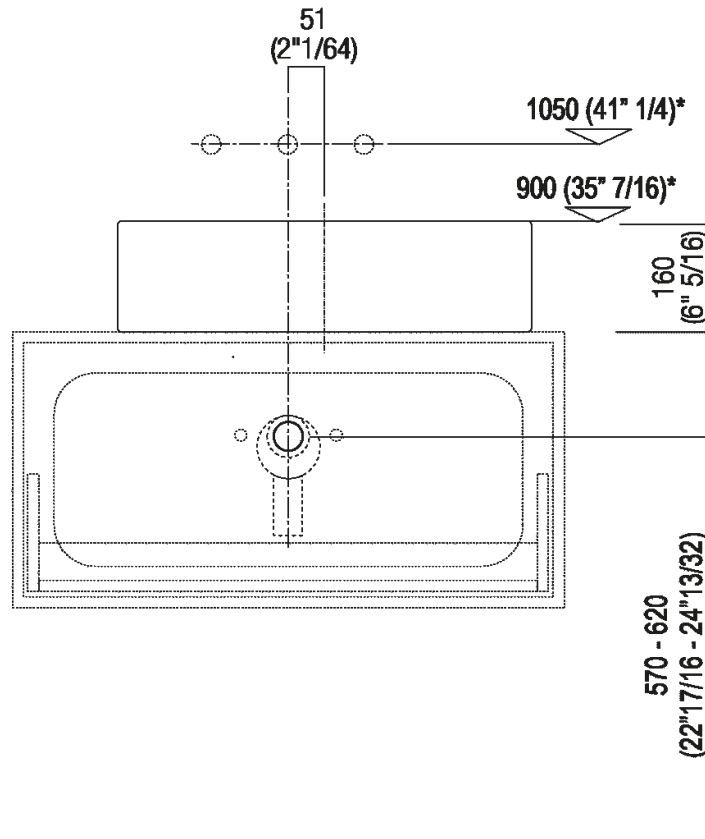


Tap position, recommended height





Installation notes: on casing H 40 cm Lato

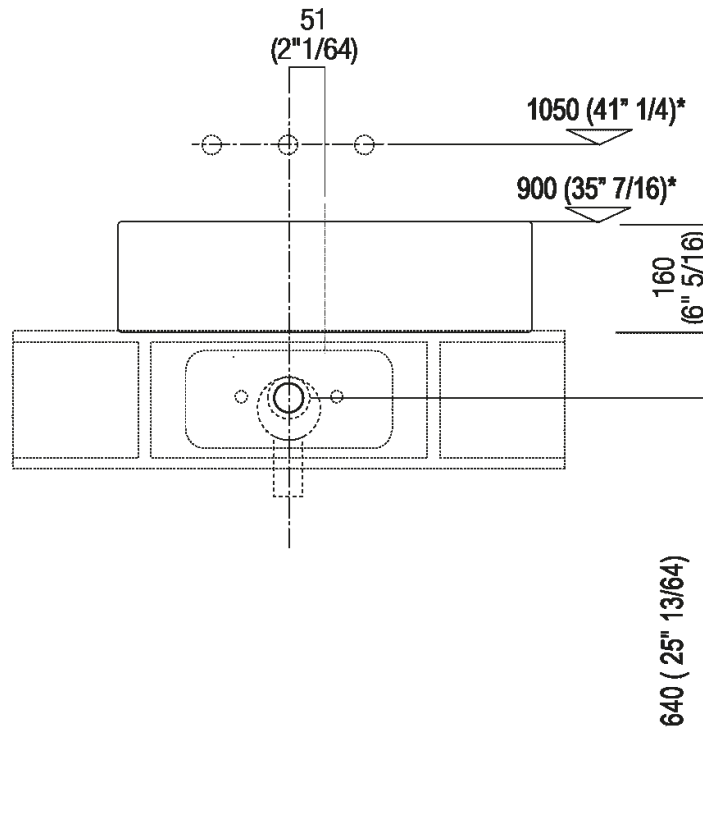


Scarico per sifone a bottiglia e ad incasso
Drain for bottle trap and concealed waste trap

*h.consigliata / advised h.



Installation notes: on casing H 20 cm Lato



Scarico per sifone a bottiglia e ad incasso
Drain for bottle trap and concealed waste trap

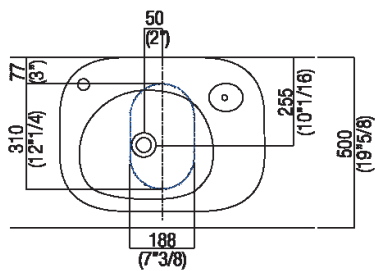
*h.consigliata / advised h.



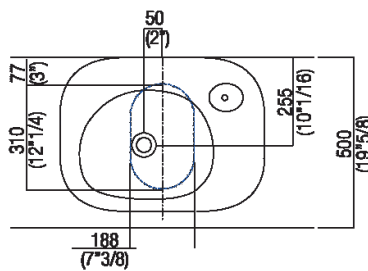
Holes for countertop washbasins and top mounted taps for top

PIANO cm 50 / COUNTERTOP cm 50

Posizione standard per rubinetto su piano
Standard position for top mounted tap



Posizione standard per rubinetto a parete
Standard position for wall mounted tap



Posizione speciale per rubinetto Sen a parete e Square con bocca curva
Special position for wall mounted tap Sen and Square white curved spout

NON NECESSARIA
NOT NECESSARY



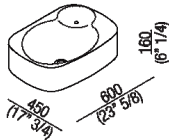
Over countertop washbasin in white
Cristalplant® biobased without tape hole
ACER0763P0_

Andrea Morgante (Shiro Studio) - Shiro
Studio, 2014

White Cristalplant® biobased and marble
over countertop washbasin.

Over countertop washbasin in marble with overflow hole in a small basin connected
with the main basin, which also can be used as a soap holder. Version with or without
tap hole. Designed for waste .MET0563. The overflow hole has a maximum capacity
of 8 l/min, therefore it is advisable to install a waste designed for washbasins without
overflow.

Height:	16 cm	6" 1/4 inches
Width:	60 cm	23" 5/8 inches
Weight:	56 kg	123 lbs
Depth:	45 cm	17" 3/4 inches
Packaging:	55 x 70 x 25 cm	21" 5/8 x 27" 4/8 x 9" 7/8 inches
Total weight:	66 kg	146 lbs



Finishes



Black Marquina



Dark Emperador



Green Alpi



Grey Carnico



White Carrara

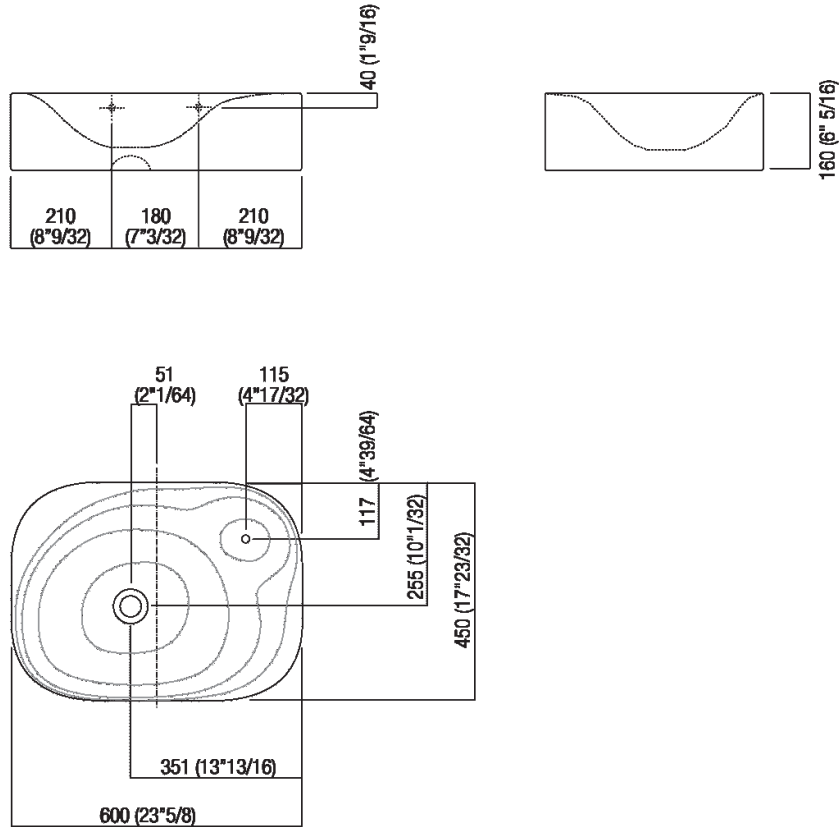
Materials



Marble

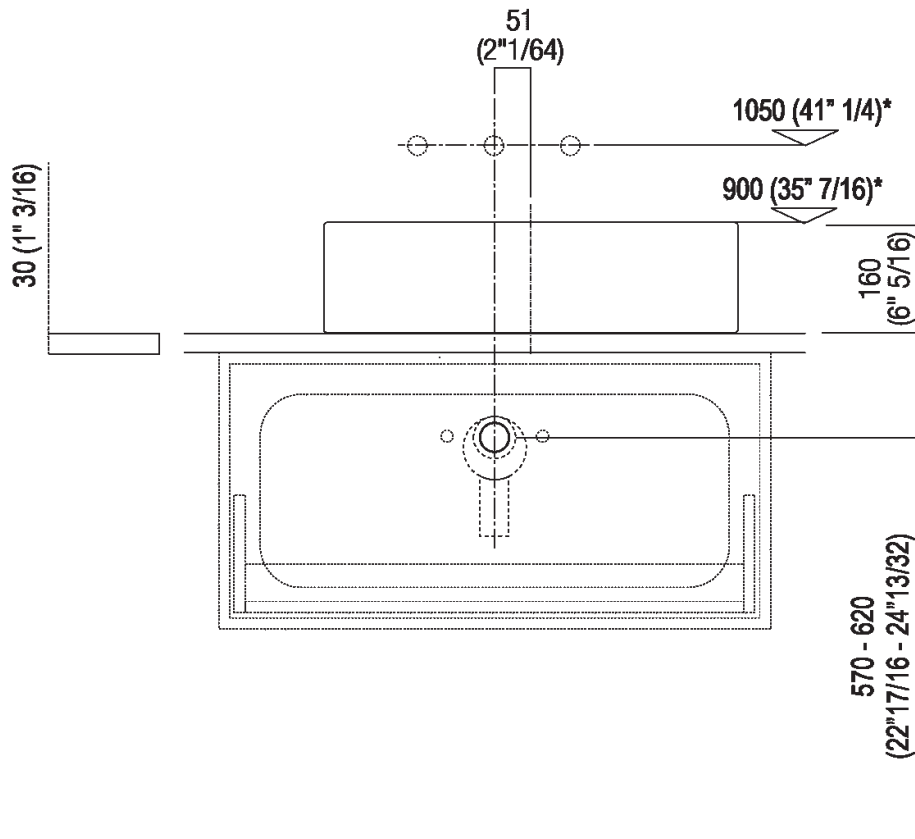


Main dimensions





Installation notes: countertop to be rested on cabinet with thickness cm 3 (1"3/16)

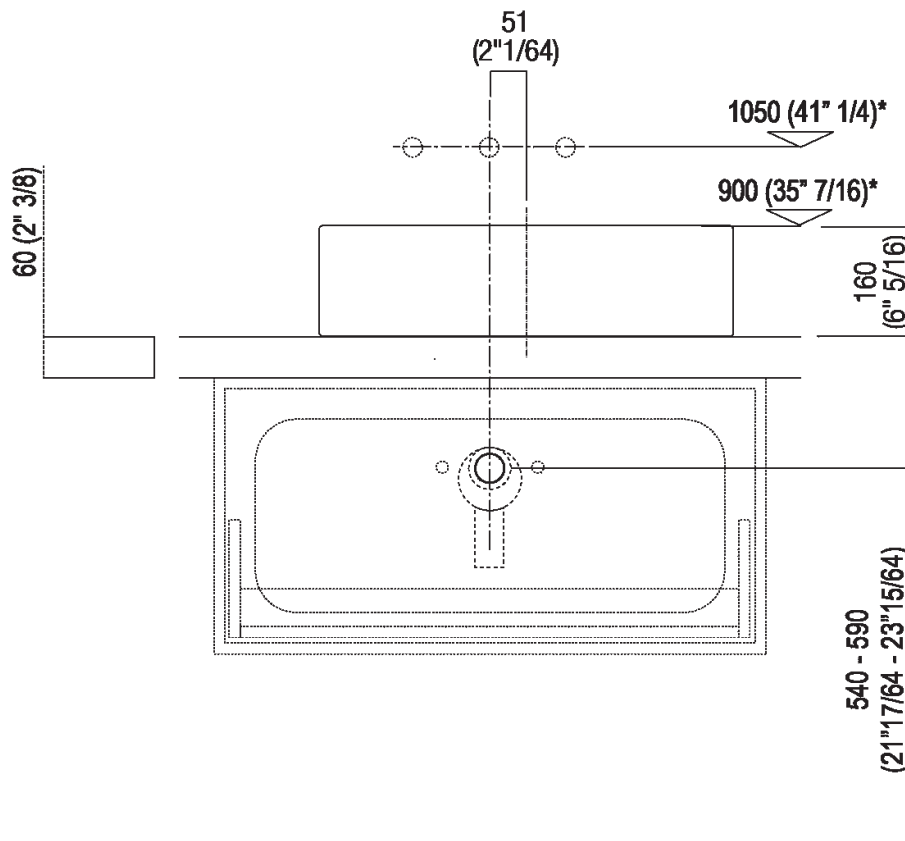


Scarico per sifone a bottiglia e ad incasso
Drain for bottle trap and concealed waste trap

*h.consigliata / advised h.



Installation notes: countertop to be rested on cabinet with thickness cm 6 (2"3/8)

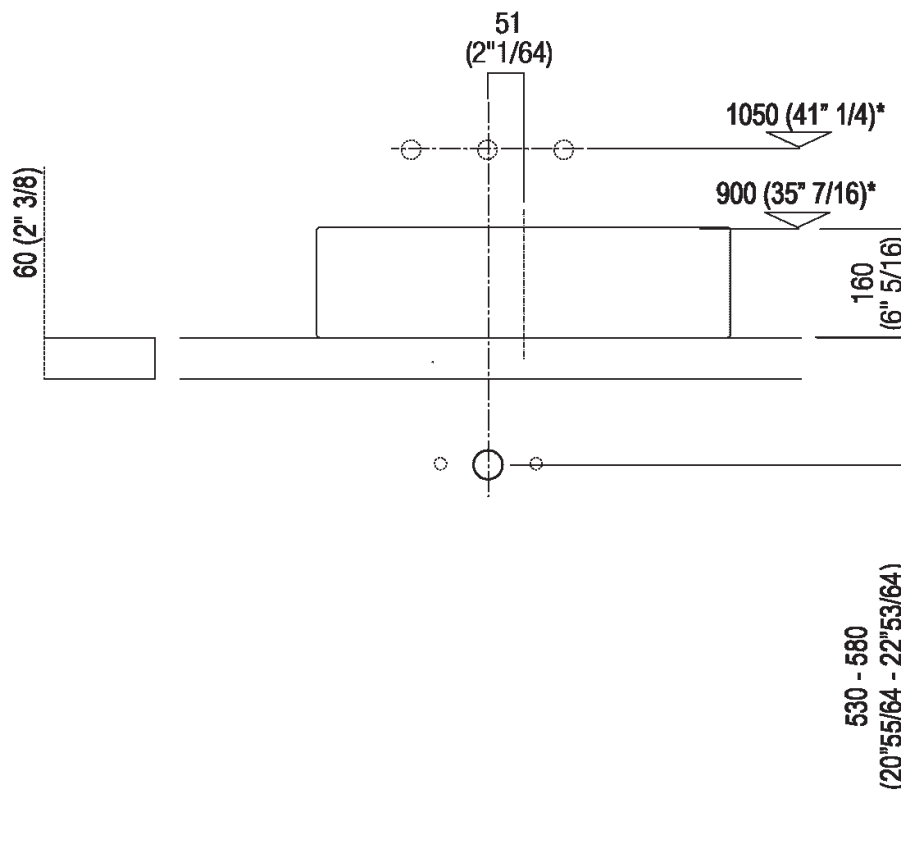


Scarico per sifone a bottiglia e ad incasso
Drain for bottle trap and concealed waste trap

*h.consigliata / advised h.



Installation notes: countertop with concealed wall
fixings/freestanding with thickness cm 6 (2"3/8)

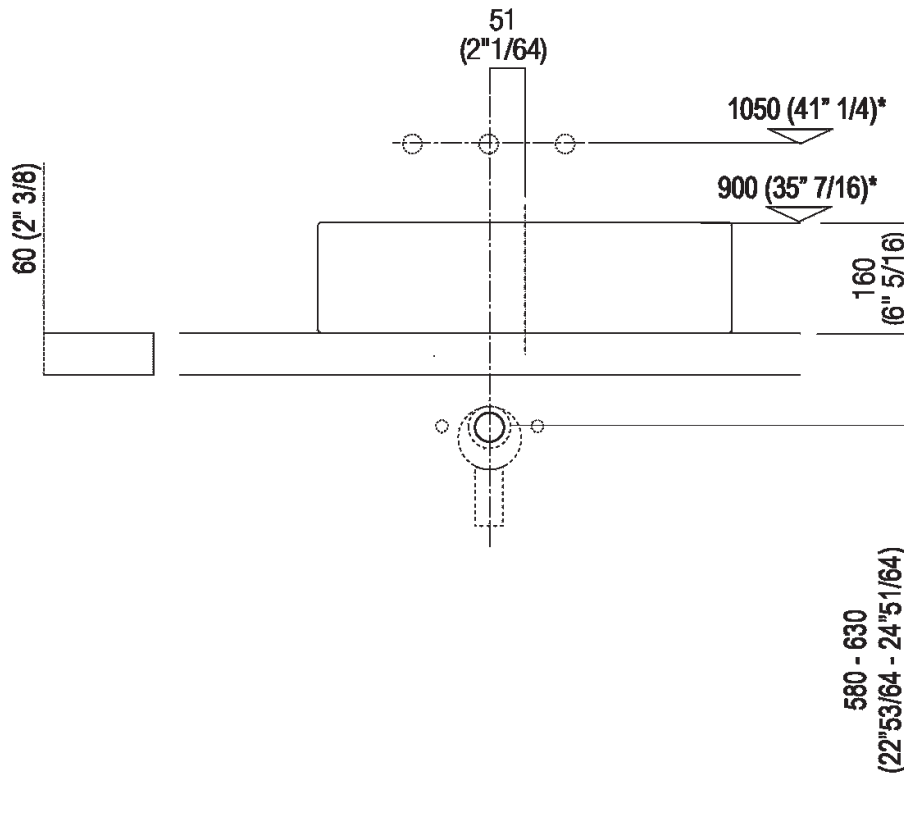


Scarico per sifone a bottiglia
Drain for bottle trap

*h.consigliata / advised h.



Installation notes: countertop with concealed wall
fixings/freestanding with thickness cm 6 (2"3/8)

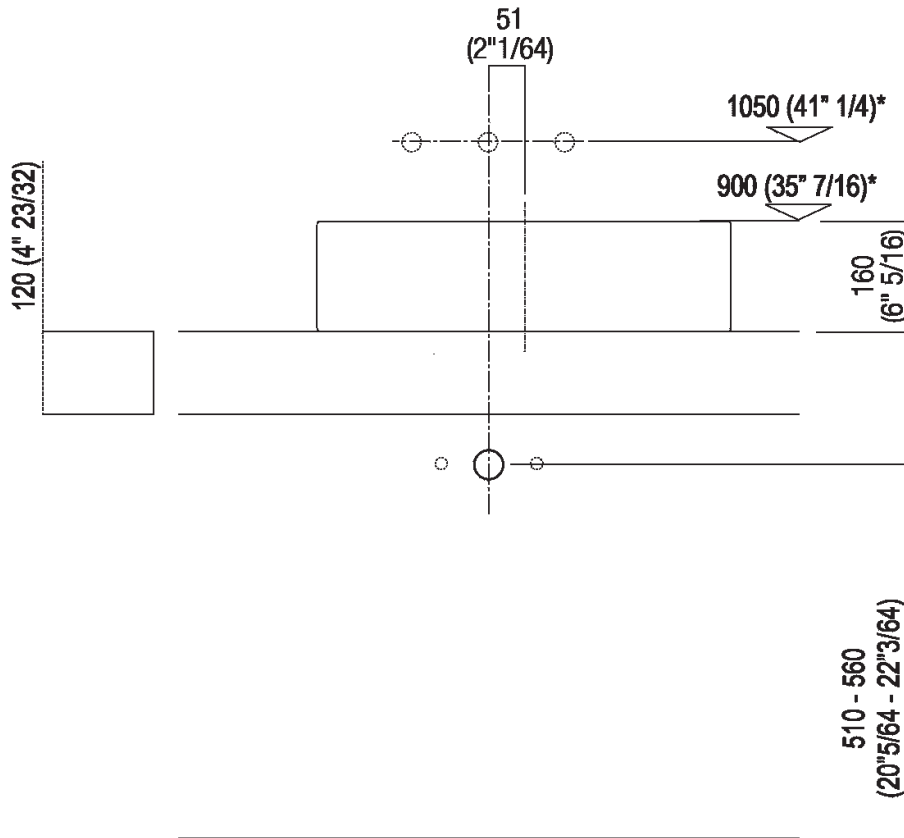


Scarico per sifone ad incasso
Drain for concealed waste trap

*h.consigliata / advised h.



Installation notes: countertop with concealed wall
fixings/freestanding with thickness cm 12 (4"23/32)

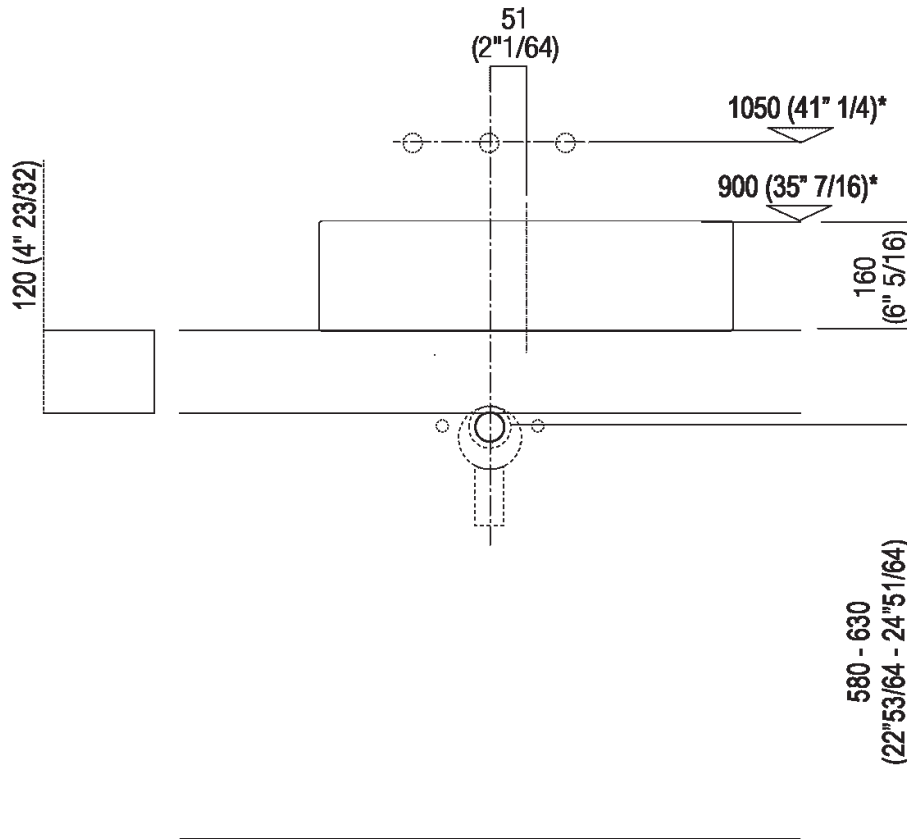


Scarico per sifone a bottiglia
Drain for bottle trap

*h.consigliata / advised h.



Installation notes: countertop with concealed wall
fixings/freestanding with thickness cm 12 (4"23/32)



Scarico per sifone ad incasso
Drain for concealed waste trap

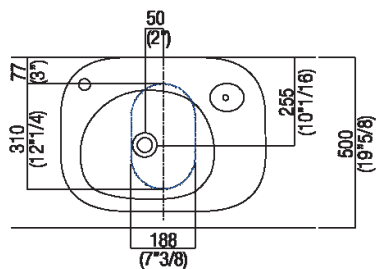
*h.consigliata / advised h.



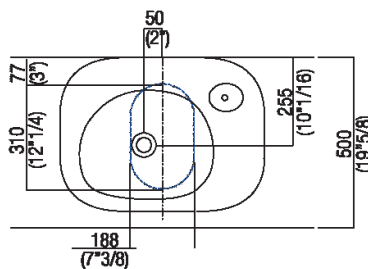
Holes for countertop washbasins and top mounted taps for top

PIANO cm 50 / COUNTERTOP cm 50

Posizione standard per rubinetto su piano
Standard position for top mounted tap



Posizione standard per rubinetto a parete
Standard position for wall mounted tap



Posizione speciale per rubinetto Sen a parete e Square con bocca curva
Special position for wall mounted tap Sen and Square white curved spout

NON NECESSARIA
NOT NECESSARY



Dimensions for wall mounted taps

POSIZIONE RUBINETTERIA / TAP POSITION

Altezza consigliata / Recommended height

