

Inspiration

MY BEAUTY

DESIGN | PAOLO CASTELLI



Laquering
Pearl 100
gloss

Alternative colour options

Laquering
Black
100 gloss

Laquering
Ivory
100 gloss

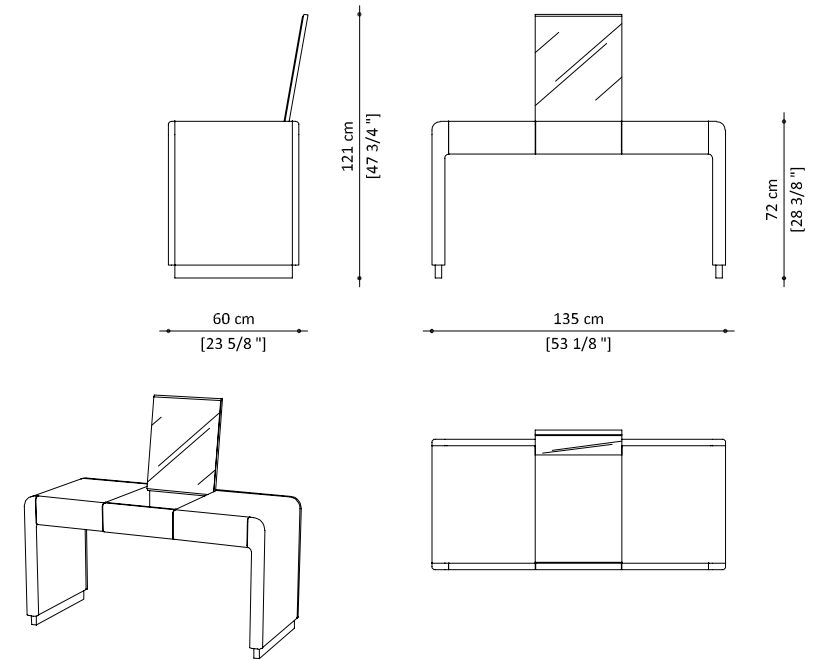
Laquering
Grey Brown
100 gloss

Laquering
Brown
100 gloss

My Beauty è un grazioso mobile toeletta dedicato all'universo femminile, con una struttura a ponte, ribaltina centrale apribile con specchio illuminato a led, vano centrale rivestito internamente in microfibra, e due cassetti laterali imbottiti e rivestiti in microfibra. E' realizzata interamente in mdf laccato lucido 100 gloss. Su richiesta è disponibile la versione con jewellery box centrale.

My Beauty is a makeup desk dedicated to women, with a bridge structure and central flap concealing a led lit mirror, with central compartment and two side drawers upholstered and lined in microfiber. It is entirely made from mdf with a 100 gloss lacquered finish. Optional jewellery box is available on request.

CASA
DESIGN
GROUP



MY BEAUTY | TAV.MYBE.200

Lacquered 100 Gloss in colours: Black Ral 9005, Ivory Ral1013, Brown grey Ncs 5010 Y5Or, Brown Ral 8019, Pearl NCS S 1500 N
Microfiber internal covering

MY BEAUTY WITH JEWELRY BOX | TAV.MYBE.210

Lacquered 100 Gloss in colours: Black Ral 9005, Ivory Ral1013, Brown grey Ncs 5010 Y5Or, Brown Ral 8019, Pearl NCS S 1500 N
Microfiber internal covering
Inner jewellery box with leather details