



# LED-Ginger

## Joan Gaspar

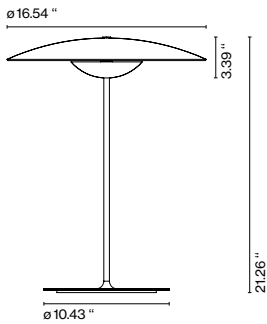
**marset**

CASA  
DESIGN  
GROUP

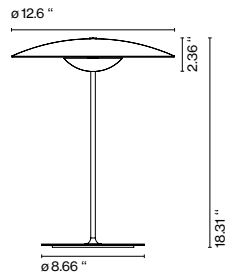
living  
outdoor  
contract



**LED-Ginger M**



**LED-Ginger S**



**LED-Ginger M**

LED SMD 15.4W 700mA  
2700K 2130lm  
(included)

**LED-Ginger S**

LED SMD 7.8W 700mA  
2700K 1066lm  
(included)

- Oak
- Wenge

120 V - 60 Hz

Diffuser and pressed wood base of 0.16" in natural oak or wenge. Injected aluminum dissipater and lacquered black matte metal stem.



Dry locations only

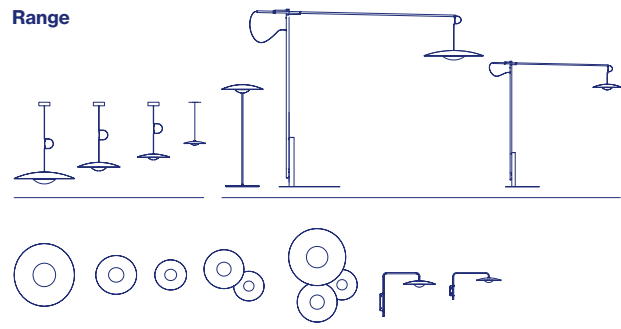


\* In-line motion sensor dimmer

- [Download](#) Assembly Instructions
- [Download](#) Photometric Data
- [Download](#) 2D
- [Download](#) 3D

Black electrical cord

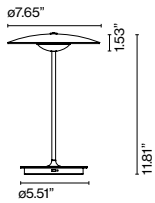
**Range**



Watch the video  
info@marset.com  
www.marset.com



**LED-Ginger 20 M**



Watch the video  
info@marset.com  
www.marset.com

**LED-Ginger 20 M**  
LED SMD 3,2W 1A 2700K  
478lm 5V (included)

- Oak
- Wenge

**Battery life**  
5 hours in peak power  
10 hours in half power  
20 hours in a quarter power

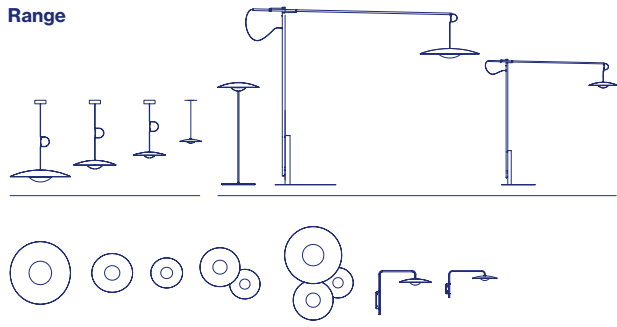
Battery charging time: 10h

Diffuser and pressed wood base of 0.16 inches in natural oak or wenge. Injected aluminum dissipater and lacquered black matte metal stem. Battery is located inside the base, with 5 hours of battery life at peak performance.

Dry locations only dimmer\*  
\* 3 positions dimmer

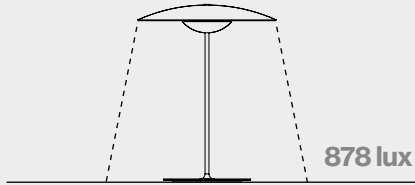
- [Download](#) Assembly Instructions
- [Download](#) Photometric Data
- [Download](#) 2D
- [Download](#) 3D

**Range**

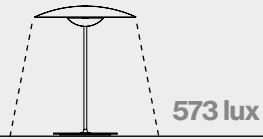


### How LED-Ginger illuminates

LED-Ginger M



LED-Ginger S



LED-Ginger 20 M

