



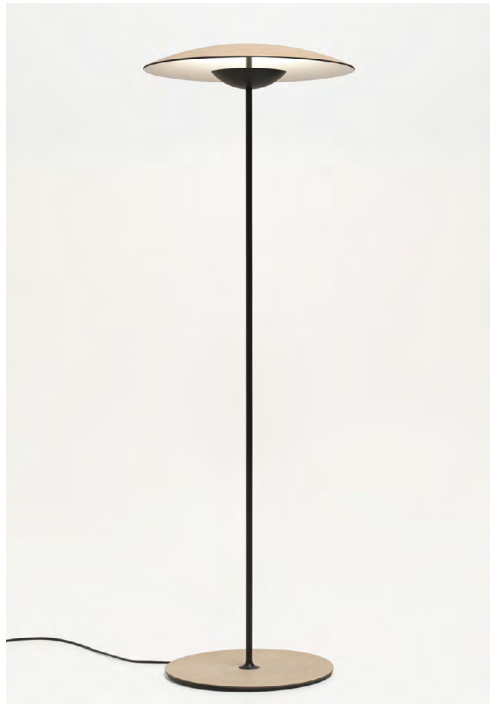
# Ginger

## Joan Gaspar

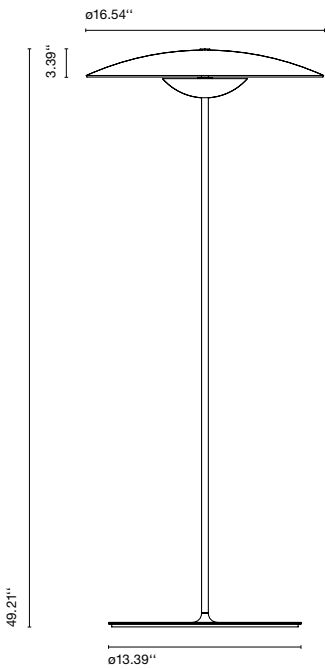
**marset**

CASA  
DESIGN  
GROUP

living  
outdoor  
contract



Ginger P



Ginger P

LED SMD 15.4W 700mA  
2700K 2130lm  
(included)

- Oak
- Wenge

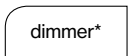
120 V - 60 Hz

Black electrical cord

Diffuser and pressed wood base of 0.16" in natural oak or wenge. Injected aluminum dissipater and lacquered black matte metal stem.



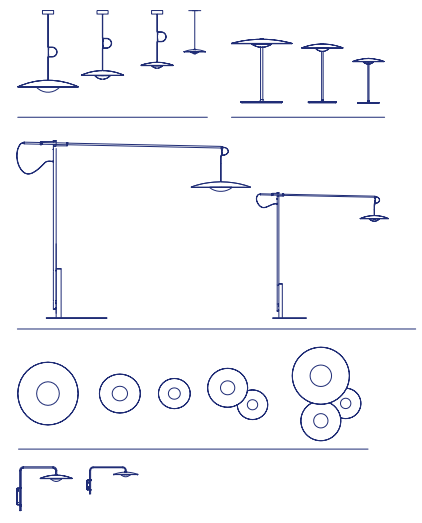
Dry locations only



\* Foot-operated progressive inline dimmer

- [Download](#) Assembly Instructions
- [Download](#) Photometric Data
- [Download](#) 2D
- [Download](#) 3D

Range



Watch the video  
info@marset.com  
www.marset.com

### How Ginger illuminates

#### Ginger P

