

Copérnica

Ramírez i Carrillo

marset

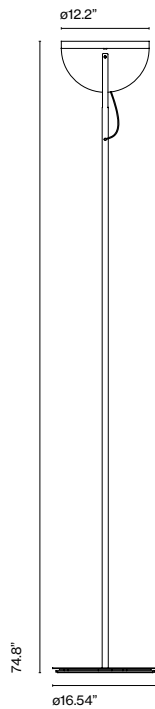
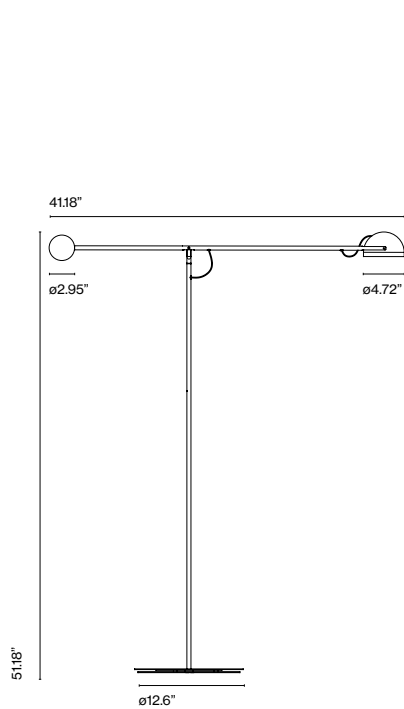
CASA
DESIGN
GROUP

living
outdoor
contract



Copérnica P

Copérnica P190

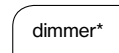


Copérnica P
 LED SMD 6.9W 700mA
 2700K CRI90
 Light source 427lm
 (included)

Copérnica P190
 LED SMD 30.5W 1A
 2700K CRI90
 Light source 3466lm
 Luminaire 2302lm
 (included)



* Under approval process.



* 3 positions dimmer

Dry locations only

Watch the video
info@marset.com

Structure in satin nickel or graphite with the base and counterweight in lacquered steel. Tiltable difusser in aluminum with a built-in switch.

Copérnica P

- Satin nickel - Golden - White
- Satin nickel - Graphite - White
- Satin nickel - Red - White
- Graphite - Golden - Black
- Graphite - Matt chrome - Black
- Graphite - Red - Black

Copérnica P190

- Satin nickel - White
- Graphite - Black

- [Download](#) Assembly instructions
- [Download](#) 2D
- [Download](#) 3D
- [Download](#) Photometric data

Collection



The collection consists of desktop and standing versions that play with counterweights of mixed materials and density, such as steel and aluminum. This design allows one to move the lamp with great precision, providing a wide range of heights, distances, and adjustments to the beam of light to suite one's taste.