

LOLAH

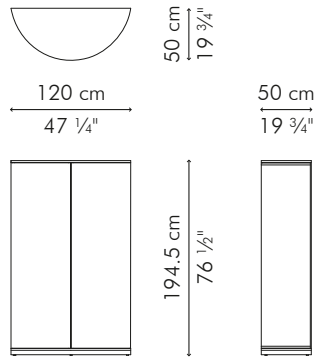
KENETHCOBONPUE



BAR CABINET

🏠 rattan, nylon twine, steel, maple

BAR CABINET



INDOOR



88 kg / 194 lbs



148 kg / 326 lbs



2.20 m³

INDOOR rattan, nylon twine, steel, maple

Dark Brown

BLO-DB-4776

Whitewash

BLO-WW-4776