

GREENKISS

Luna Armchair



**Metal Finish
Champagne
Matt**

**Blended
Lined
Col. 406 Lined**

**Econabuck
Col. 604 Taupe**

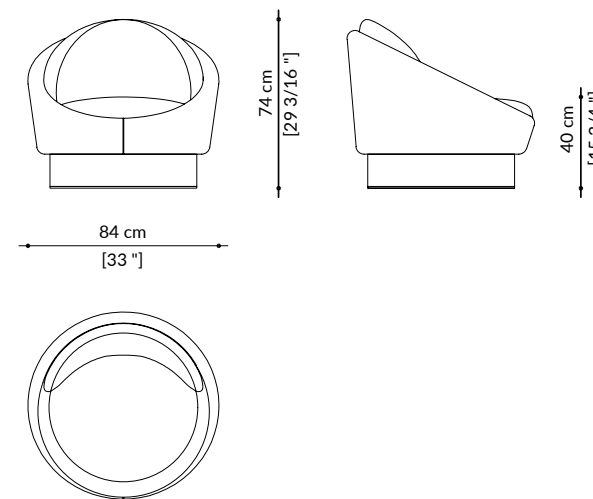
Deliziosa poltroncina a pozzetto dalle forme sofisticate e contemporanee, ha una struttura in legno di frassino ecosostenibile non selezionato, con imbottitura realizzata in gomme biologiche autoestinguenti, cuffia in ovatta naturale e cinghie in juta. Lo schienale imbottito si avvolge come un petalo innestandosi sul sedile.

Rivestimento non sfoderabile in lana bouclé, lino o tessuto misto lino con dettagli in metallo color champagne a satinatura orbitale. La struttura poggia su un zoccolo rivestito in tessuto. Dettaglio base in metallo color champagne a satinatura orbitale.

Delightful tub chair with a sophisticated contemporary shape. The structure is made of discarded eco-friendly ash wood, with cushioning made of self-extinguishing organic foam rubber covered with natural wadding, and jute webbing. The cushioned backrest wraps around the seat like a petal, adorning it with three contrasting decorations.

Upholstered with natural bouclé wool, linen or blended linen fabric with metal details col. champagne orbital matt. This upholstery cannot be removed. The structure rests on a base with plinth clad in econabuck or champagne-coloured metal plate with an orbital satin finish.

CASA
DESIGN
GROUP



BLENDED LINEN / LINEN | SED.LUNA.200.SUP

Base covered in econabuck
Upholstering in blended linen or linen fabric

WOOL | SED.LUNA.200.DEL

Base covered in econabuck
Upholstering in bouclé wool fabric

Casa Design Group | 460 Harrison Avenue, Boston MA 02118 | t. +1617.654.2974 |
inquiry@casadesigngroup.com | www.casadesigngroup.com