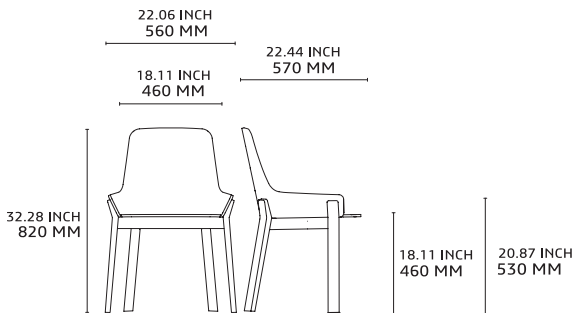




Koila is a chair designed for restaurants and food lovers in general. Designed in collaboration with restaurant professionals, it ensures comfort and an ideal posture, as there are armrests on both sides of the chair.

#### DIMENSIONS:



#### CATEGORY:

Armchair

#### ENVIRONMENT:

Indoor

#### APPLICATIONS:

- CHR
- Public
- Office

**WEIGHT:** 6,3 kg

#### MATERIALS:

Structure in solid oak.  
 Seat and backrest in beech plywood (2 faces oak veneer) upholstered in Gracia leather, eco-leather or fabric.  
 Glides in polypropylene

**IN OPTION:** CMHR foam (non fire)

**MADE TO ORDER:** Finishes and upholsteries, page 2

#### SPARE PARTS:

Glides in polypropylene.

**ACCESSORIES:** No

**ASSEMBLED PRODUCT:** Yes

#### COM UPHOLSTERY:

Upon request and under alki's confirmation.

- **Koila seat:** COM 0,75m x 1,40 mts / 2 chairs  
COL 5m<sup>2</sup> / 6 chairs
- **Koila backrest + seat:** COM 1,25m x 1,40 mts / chair  
COL 5m<sup>2</sup> / 1,5 chairs

#### CLEANING AND CARE INSTRUCTIONS:

Dry cloth. To avoid aerosol and spray products with silicone. For upholstery versions please find cleaning instructions for selected fabric at kvadrat.de, gabriel.dk, anticcuir.com and hornschurch.com

#### DOWNLOADS:

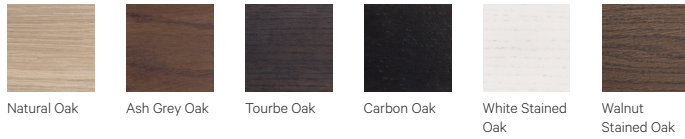
3D and DG files are available at alki.fr – images bank section.

#### KOILA COLLECTION:



# Finishes

## Wood



## Leather

G4: Gracia



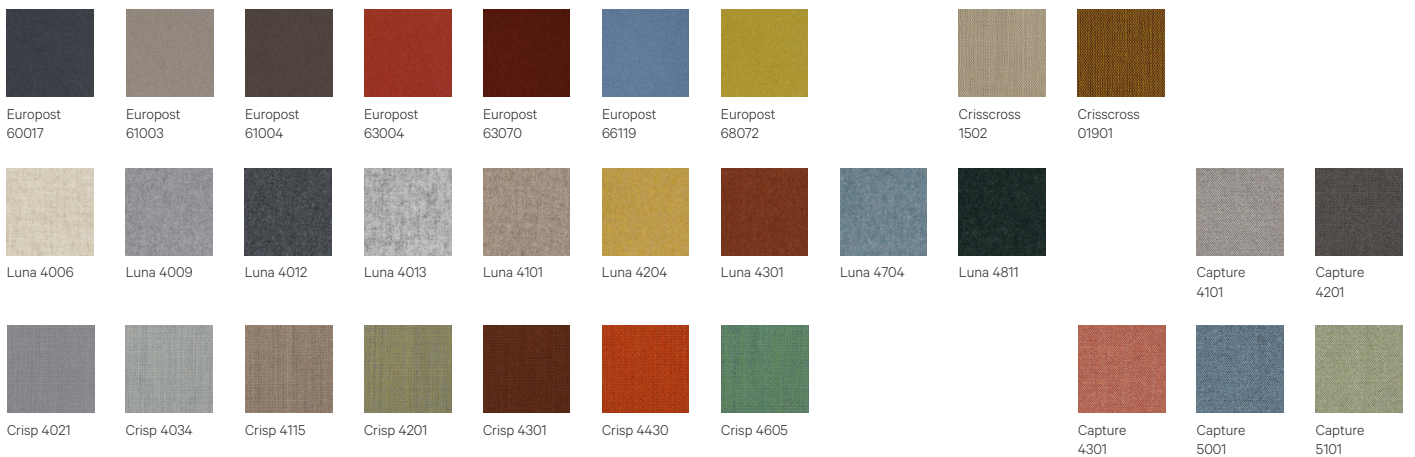
## Eco Leather

G1: Palma | G2: Palma NF



## Fabrics by Gabriel

G1: Europost, Crisp, Capture | G2: Crisscross | G3: Luna



## Fabrics by Kvadrat

G1: Remix | G2: Molly, Canvas | G3: Steelcut Trio

