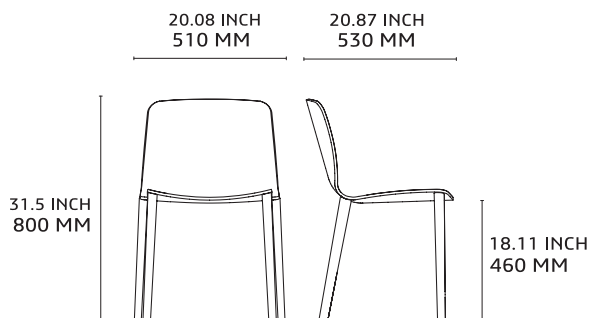




Jantzi means dress in Basque. The Jantzi chair, which is ample and comfortable, can be given a whole new look as often as you like, as it has a removable cover. This stackable chair is available upholstered and in natural or stained wood.

DIMENSIONS:



CATEGORY:

Chair

ENVIRONMENT:

Indoor

APPLICATIONS:

- CHR
- Public
- Office

WEIGHT: 6,2 kg

MATERIALS:

Metal structure covered with solid oak.

Shell in oak or with removable fabric cover with zipper stackable by 3 or more with trolley.

Felt glides.

IN OPTION: CMHR foam (non fire)

MADE TO ORDER: Finishes and upholsteries, page 2

SPARE PARTS:

Felt glides recommended for all types of flooring. Possibility to change for slide glides in case carpet floors.

ACCESSORIES: No

ASSEMBLED PRODUCT: Yes

COM UPHOLSTERY:

Upon request and under alki's confirmation.

COM 11 x 1,40 mts / chair

COL 5m² / 2 chairs

CLEANING AND CARE INSTRUCTIONS:

Dry cloth. To avoid aerosol and spray products with silicone. For upholstery versions please find cleaning instructions for selected fabric at kvadrat.de, gabriel.dk, anticcuir.com and hornschurch.com

DOWNLOADS:

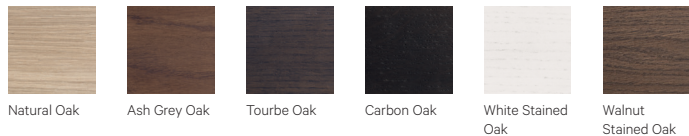
3D and DG files are available at alki.fr – images bank section.

JANTZI COLLECTION:



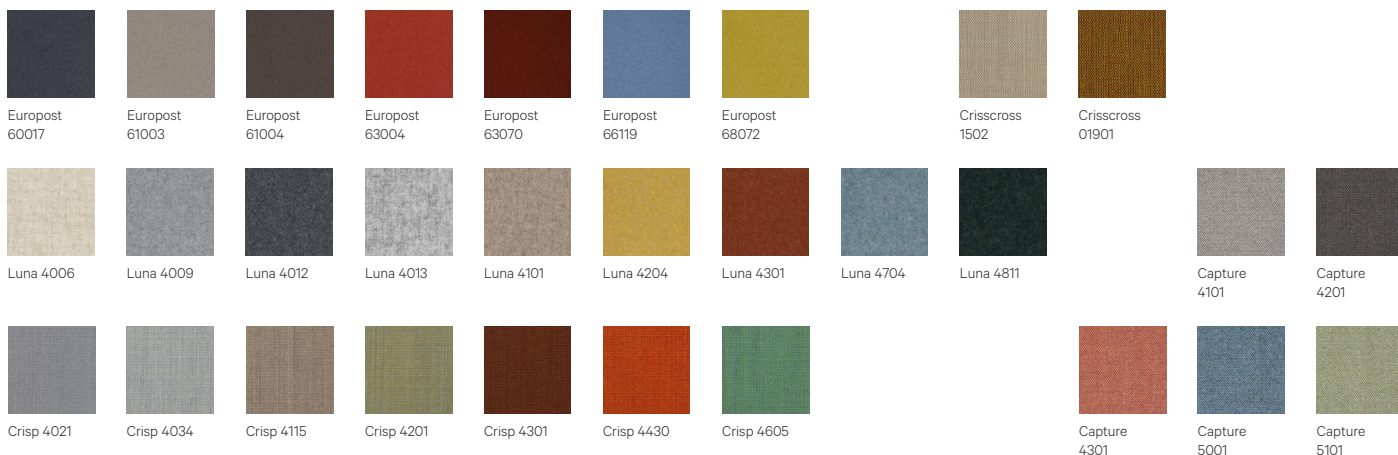
Finishes

Wood



Fabrics by Gabriel

G1: Europost, Crisp, Capture | G2: Crisscross | G3: Luna



Fabrics by Kvadrat

G1: Remix | G2: Molly, Canvas | G3: Steelcut Trio

