



DESCRIPTION

The ILLUM collection refers to the classical Scandinavian furniture archetypes, translated with updated materials for outdoors. Aluminium is used like sculpted wood throughout the collection, with smooth transitions from crisp to soft lines. Functionality is paramount for ILLUM, without compromising on comfort and class. The soft-curving back support provides an inviting view and seating comfort. The table with its slim legs in aluminium or teak is kept pure and simple. The lounge is provided with a knee bend section and can easily be put in any position by means of a patented pump system.

MATERIALS

- Frame: high pressure injected aluminium with a double powder coating (epoxy primer + polyester)
- Seat: Batyline®
- Table frame: high pressure injected aluminium with a double powder coating (epoxy primer + polyester) or Indonesian plantation teak
- Table tops: Indonesian plantation teak or ceramic.

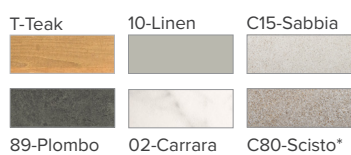
CUSHIONS

Filling in dryfoam which has an open cell structure, so air can circulate freely. Water passes through the filling, but dries quickly thanks to the large open pores, substantially inhibiting fungal growth. Fabrics available in category D, E & F.

COLOURS FRAME-X

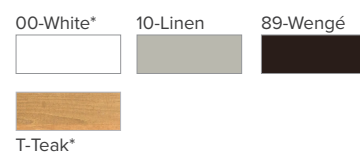


COLOURS TABLE TOP-Y



*This colour may possibly show delicate veins.

COLOURS DINING TABLE FRAME-X

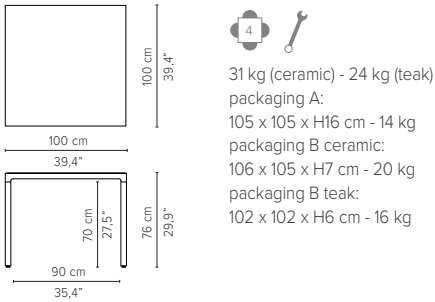


*Not for Counter height tables.

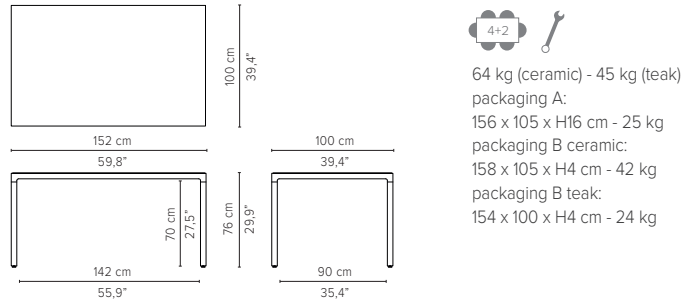
ILLUM

TECHNICAL DRAWINGS

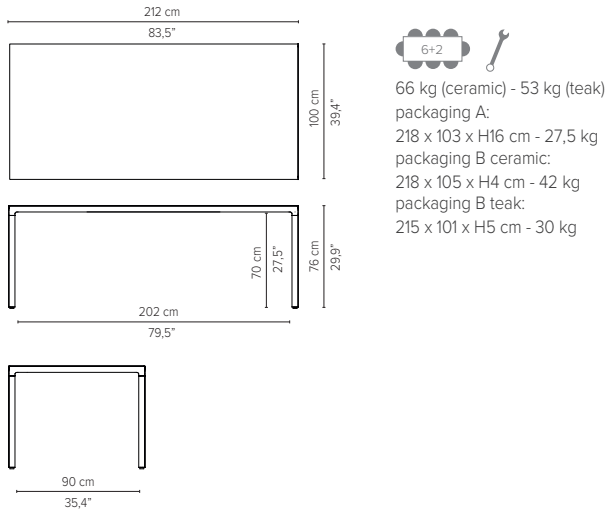
06573-x-y Dining table Alu 100 x 100 cm



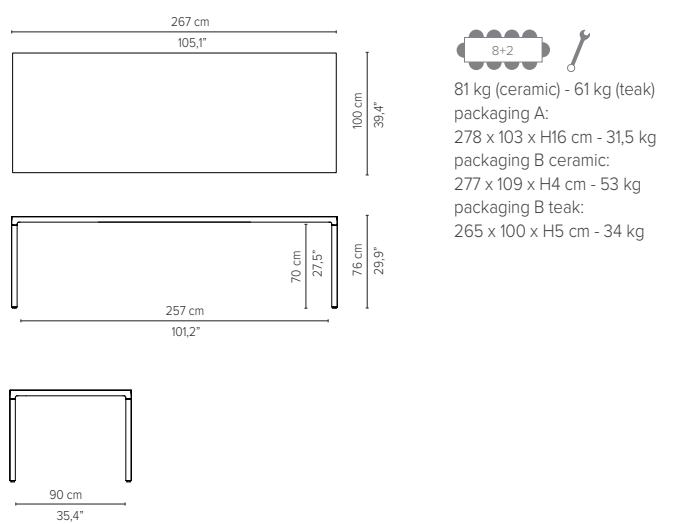
06550-x-y Dining table Alu 152 x 100 cm



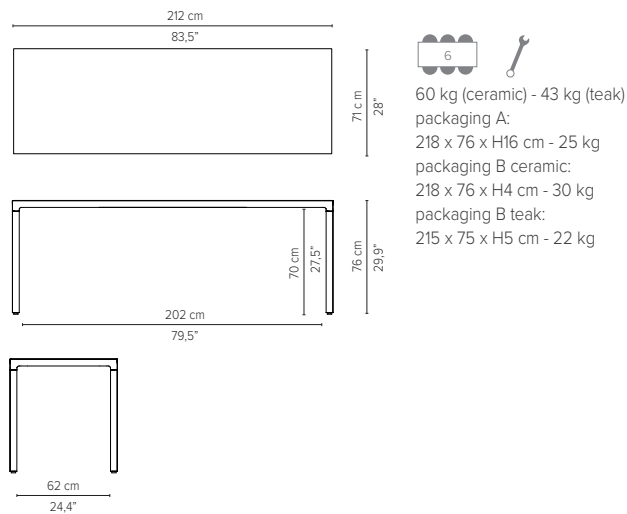
06552-x-y Dining table Alu 212 x 100 cm



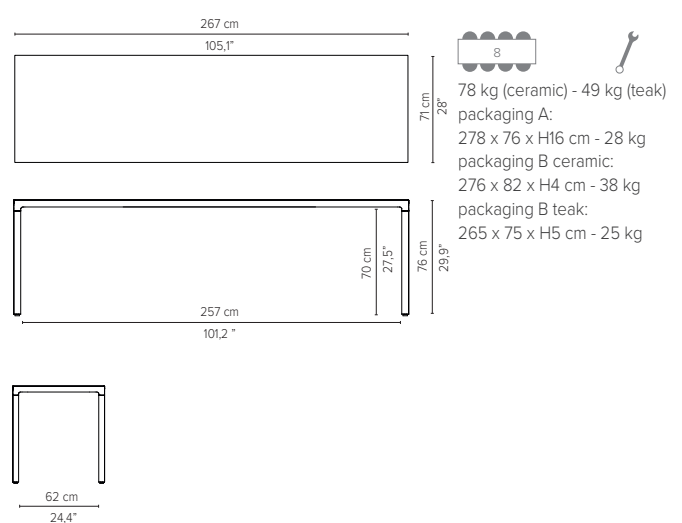
06554-x-y Dining table Alu 267 x 100 cm



06552xs-x-y Slim Dining table Alu 212 x 71 cm



06554xs-x-y Slim Dining table Alu 267 x 71 cm

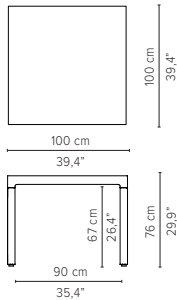


* Appearances, measurements and weights may slightly differ from reality.

ILLUM

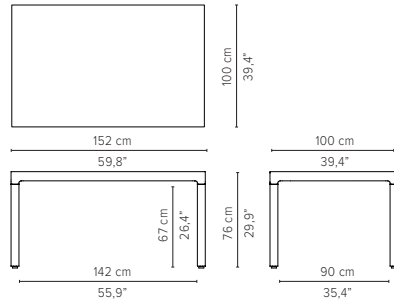
TECHNICAL DRAWINGS

06573-T-y Dining table Teak 100 x 100 cm



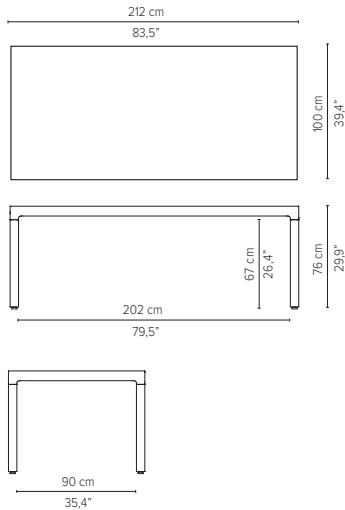
packaging A frame+legs:
103 x 103 x H13cm - 18kg
 packaging B ceramic:
106 x 105 x H7 cm - 20 kg
 packaging B teak:
102 x 102 x H6 cm - 16 kg

06550-T-y Dining table Teak 152 x 100 cm



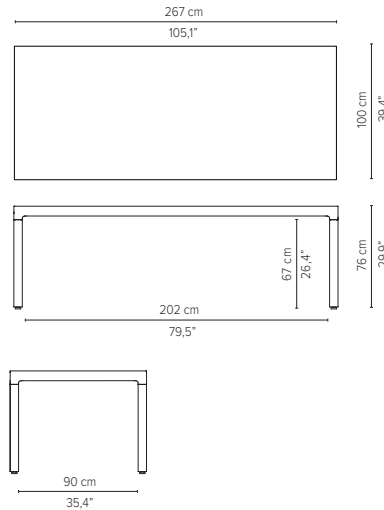
packaging A frame+legs:
195 x 105 x H13cm - 23kg
 packaging B ceramic:
158 x 105 x H4 cm - 42 kg
 packaging B teak:
154 x 100 x H4 cm - 24 kg

06552-T-y Dining table Teak 212 x 100 cm



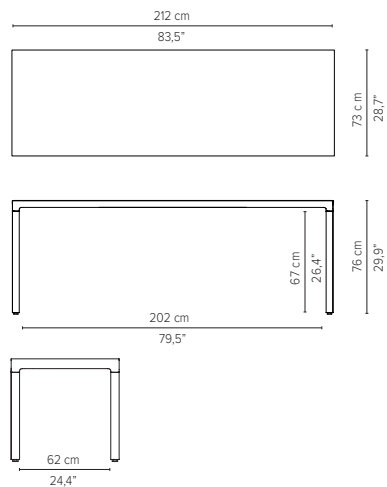
packaging A frame+legs:
216 x 105 x H13cm - 33kg
 packaging B ceramic:
218 x 105 x H4 cm - 42 kg
 packaging B teak:
215 x 101 x H5 cm - 30 kg

06554-T-y Dining table Teak 267 x 100 cm



packaging A frame+legs:
272 x 105 x H13cm - 39kg
 packaging B ceramic:
277 x 109 x H4 cm - 53 kg
 packaging B teak:
265 x 100 x H5 cm - 34 kg

06552xs-T-y Slim Dining table Teak 212 x 73 cm



packaging A frame+legs:
216 x 76 x H13cm - 24kg
 packaging B ceramic:
218 x 76 x H4 cm - 30 kg
 packaging B teak:
215 x 75 x H5 cm - 22 kg

* Appearances, measurements and weights may slightly differ from reality.

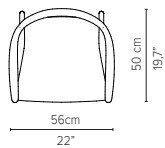
ILLUM

TECHNICAL DRAWINGS

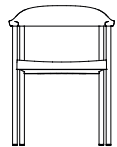
06518-x-x Armchair



3pcs



50 cm
19,7"



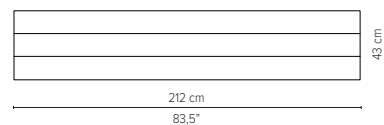
76 cm
29,9"



45 cm
17,7"

7,5 kg
delivery unit: 2
packaging:
60 x 60 x H87 cm - 0,3 m³ - 18,1 kg
cushion: C06518W

06534-x Bench



43 cm
16,9"

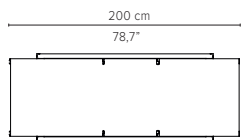


45 cm
17,7"



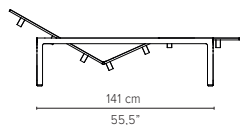
31 kg
delivery unit: 1
packaging A:
220 x 47 x H16 cm - 20,5 kg
packaging B:
220 x 45 x H5 cm - 15 kg
cushion:
C07434W (42x42cm)

06540 Adjustable lounger



200 cm
78,7"

70 cm
27,6"



141 cm
55,5"

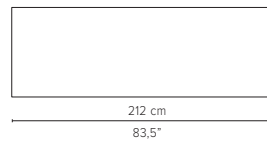
39 cm
15,4"

delivery unit: 1
packaging:
202 x 73 x H42 cm - 0,61 m³ - 31,3 kg
cushions:
C06540W

The backrest is adjustable by means of a pump system and can be put in any position you like. The angle of the backrest to the ground floor ranges from 180° to 125°

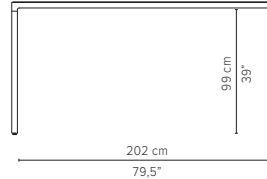


06588-x-y Bar table Alu 212 x 71 cm



212 cm
83,5"

71 / 73 cm
28 / 28,7"



99 cm
39"

106 cm
41,7"

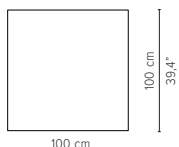
202 cm
79,5"

62 cm
24,4"



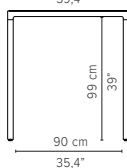
packaging A frame:
217 x 77 x H17 cm - 22 kg
packaging B legs:
11 x 17 x 97 cm - 7kg
packaging C ceramic:
218 x 76 x H4 cm - 30 kg
packaging C teak:
215 x 75 x H5 cm - 22 kg

06586-x-y Bar table Alu 100 x 100 cm



100 cm
39,4"

100 cm
39,4"



90 cm
35,4"

106 cm
41,7"



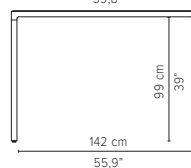
packaging A frame:
105 x 105 x H16 cm - 14 kg
packaging B legs:
11 x 17 x 97 cm - 7kg
packaging B ceramic:
106 x 105 x H7 cm - 20 kg
packaging B teak:
102 x 102 x H6 cm - 16 kg

06587-x-y Bar table Alu 152 x 100 cm



152 cm
59,8"

100 cm
39,4"



142 cm
55,9"

106 cm
41,7"

90 cm
35,4"



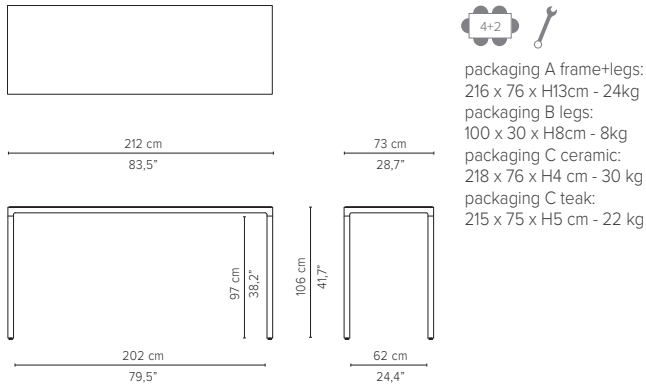
packaging A frame:
156 x 105 x H16 cm - 25 kg
packaging B legs:
11 x 17 x 97 cm - 7kg
packaging B ceramic:
158 x 105 x H4 cm - 42 kg
packaging B teak:
154 x 100 x H4 cm - 24 kg

* Appearances, measurements and weights may slightly differ from reality.

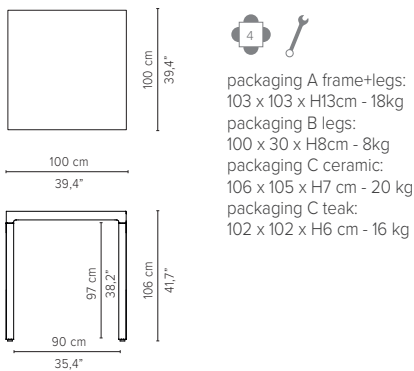
ILLUM

TECHNICAL DRAWINGS

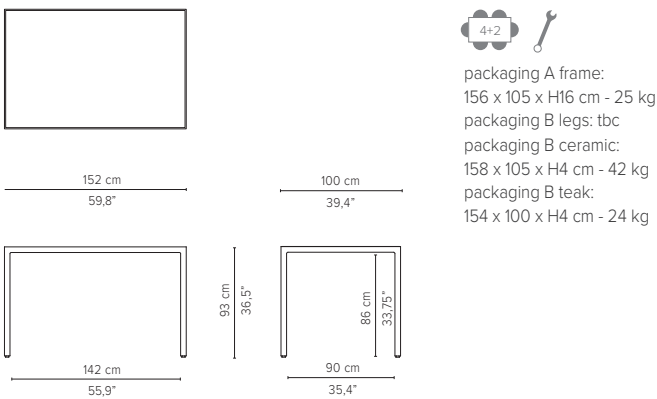
06588-T-y Bar table Teak 212 x 73 cm



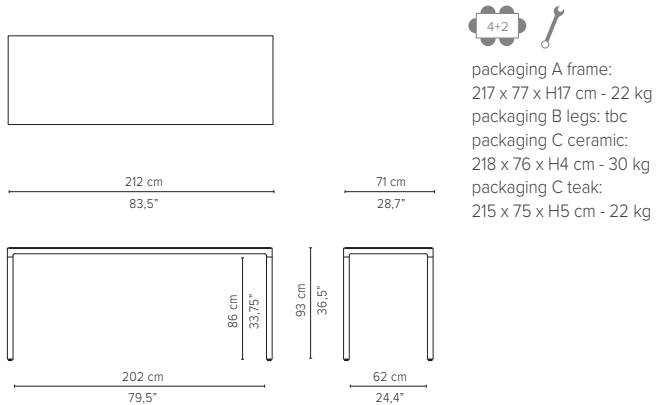
06586-T-y Bar table Teak 100 x 100 cm



06560-x-y Counter height table alu 152 x 100 cm



06554XS-x-y Counter height table alu 212 x 71 cm



* Appearances, measurements and weights may slightly differ from reality.

ILLUM

PROTECTION COVERS

For each item a cover is available that protects the furniture against dirt. These covers in grey colour are made of PU coated polyester which is water-repellent and UV-resistant. Thanks to their excellent breathable qualities the covers reduce condensation and heat build-up, helping to prevent the formation of mold and mildew. Nevertheless, they are not 100% waterproof. Always make sure that furniture, cushions and covers are completely dry before covering furniture.

MAINTENANCE

Frame

Clean the aluminium frame with tap water and a PH neutral soap. For stubborn stains, use Aluminium Cleaner. We advise to use Teflon® Protector twice a year which applies an invisible film and protects the aluminium against the adhesion of dirt.

Seat

The Batyline seat can be cleaned with soap and water. For stubborn stains use Synthetics Super Cleaner. Apply with a soft brush on both sides. Leave to soak for a while and rinse with a garden hose.



D9952
Aluminium
Cleaner



D9930
Teflon® Protector
(spray that lays an invisible dirt-repellent film)



D9922
Synthetics
Super Cleaner

Table top Ceramic

Ceramic is very easy to maintain with clear water and a pH-neutral soap. Stubborn stains can be removed with Glass & Ceramic Cleaner. To protect the ceramic, Ceramic Protector can be used. This applies a highly water and soiling repellent coating, which also makes the surface brighter, smoother and easier to clean.



D9938
Ceramic
Cleaner



D9955
Ceramic
Protector

Table top Teak + Seat Teak

Treat new teak with Teak Protector 4 à 6 weeks after installation. Teak Protector applies an invisible film that prevents stains and green deposit. Soiled teak can be cleaned with Teak Super Cleaner. Leave the furniture to dry completely and then apply Teak Protector. To avoid labour-intensive cleaning, you can treat the wood with Teak Sealer. A simple cleaning with water and a ph-neutral soap will do for many years. Teak Sealer contains UV protection to slow down the graying from the sun as well as a fungicide to prevent the growth of mold and mildew.



D9914
Teak Super
Cleaner



D9912
Teak Protector



D9959
Teak Sealer

TECHNICAL STANDARDS

06518 Armchair

ANSI/BIFMA X5.1-2011

EN1022:2005 6
EN581-1:2006 5
EN 1728:2012

ASTM B117-11 (MOD.)

CPSD-HL-01010-MTHD
CPSD-HL-01012-MTHD



ILLUM

PROJECT REFERENCES



Jackalope Hotel, Merricks North, Australia – Illum armchair

