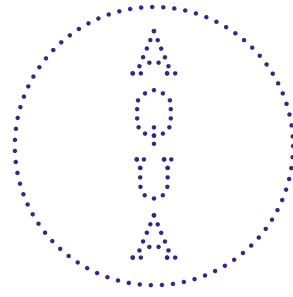


# M Floor

## Free Standing Lamp



Design by Albi Serfaty

The M free standing lamp has a classic and compact shape. The M shade used with the metal stand is identical to M pendant and continue the modularity of the ToTeM Family. The stand is made from black powder coated 10mm metal square pipe.

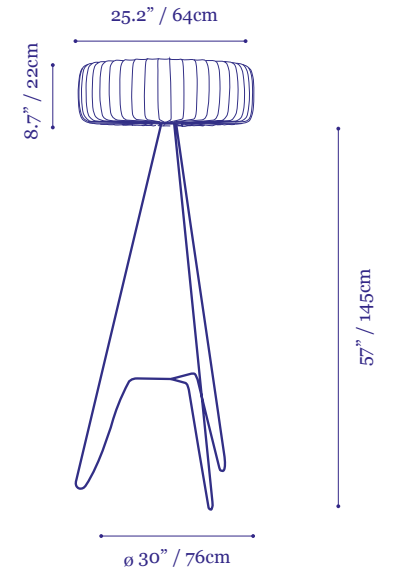


White ash wood shelf is optional.



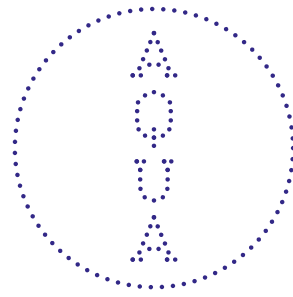
European Model 220V - 240V  
140 mm Flat Board socket LED board.  
7x 4.5Watt, 625 Lm and 80 CRI.  
Color Temperature 2700K .Dim Type A (Triac)  
Voltage 230V, Energy Class A. Total 31.5Watt,  
4375Lm. CE Certified.

US Model (120V)  
140 mm Flat Board socket LED board.  
7x 4.5Watt, 670 Lm and 80 CRI.  
Color Temperature 2700K. Dim Type A (Triac)  
Voltage 120V, Energy Class A. Total 31.5Watt,  
4690Lm. UL Certified.



# Te Floor

## Free Standing Lamp



Design by Albi Serfaty

The Te free standing lamp has a classic and compact shape. The Te shade used with the metal stand is identical to Te pendant and continue the modularity of the ToTeM Family. The stand is made from black powder coated 10mm metal square pipe.

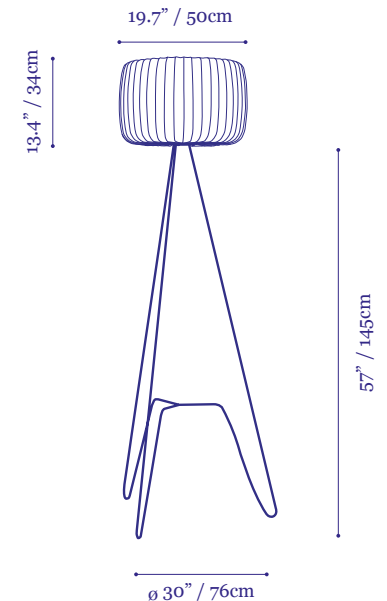


White ash wood shelf is optional.



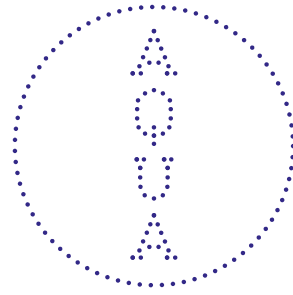
European Model 220V - 240V  
140 mm Flat Board socket LED board.  
7x 4.5Watt, 625 Lm and 80 CRI.  
Color Temperature 2700K .Dim Type A (Triac)  
Voltage 230V, Energy Class A. Total 31.5Watt,  
4375Lm. CE Certified.

US Model (120V)  
140 mm Flat Board socket LED board.  
7x 4.5Watt, 670 Lm and 80 CRI.  
Color Temperature 2700K. Dim Type A (Triac)  
Voltage 120V, Energy Class A. Total 31.5Watt,  
4690Lm. UL Certified.



# To Floor

## Free Standing Lamp



Design by Albi Serfaty

The To free standing lamp has a classic and compact shape. The To shade used with the metal stand is identical to To pendant and continue the modularity of the ToTeM Family. The stand is made from black powder coated 10mm metal square pipe.



White ash wood shelf is optional.



European Model 220V - 240V  
560 mm Flat Board socket LED board.  
3x 18Watt, 2500 Lm and 80 CRI.  
Color Temperature 2700K .Dim Type A (Triac)  
Voltage 230V, Energy Class A. Total 54Watt,  
7500Lm. CE Certified.

US Model (120V)  
560 mm Flat Board socket LED board.  
3x 18Watt, 2500 Lm and 80 CRI.  
Color Temperature 2700K. Dim Type A (Triac)  
Voltage 120V, Energy Class A. Total 31Watt,  
7500Lm. UL Certified.

