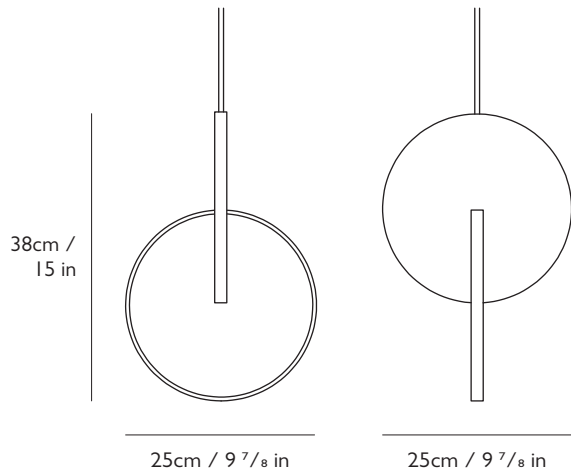


LEE BROOM

ECLIPSE PENDANT LIGHT



PLEASE NOTE

Please allow for 10.9cm x 4cm x 2.2cm
(4 1/4 in x 1 5/8 in x 7/8 in) in ceiling cavity to fit transformer.

PRODUCT DETAILS

Name

Eclipse Pendant Light

Finish & Product Code

| | 110-130v | 220-240v |
|-----------------|-----------|----------|
| Polished Chrome | ● ECL0110 | ECL0010 |
| Polished Gold | ● ECL0111 | ECL0011 |

Materials

Opal acrylic, steel

Illumination 110-130v

9.1w, 2700k, 466 lumen, 110-130vAC Input / 24vDC Output,
Supplied with separate transformer, CRI 90

Illumination 220-240v

9.1w, 2700k, 466 lumen, 220-240vAC Input / 24vDC Output,
Supplied with separate transformer, CRI 90

Dimming

Dimmable. TRIAC / Leading edge / Trailing edge

Certification

UL, cUL (110-130v)
CE, CB (220-240v)



Year of Design

2018

Dimensions

H 38cm x W 25cm x D 25cm / H 15 in x W 9 7/8 in x D 9 7/8 in

Suspension

Length: 300cm / 118 1/8 in

Adjustable cord and steel cable

Transparent casing

Ceiling plate / Canopy

H 3cm x Dia 12cm / H 1 1/8 in x Dia 4 3/4 in

Round steel in polished chrome finish

Weight

Product (net): 2.96 kg / 6.5 lbs

Boxed (gross): 4.07 kg / 8.97 lbs

0619rev05