

Designed by GamFratesi

PRODUCT



COLORS



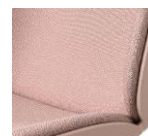
Blackstained Beech

Smoked Oak

Oak



Fully upholstered



Front upholstered



Seat upholstered



Unupholstered

DESCRIPTION

The BEETLE Chair Collection is a chair series in laminated moulded veneer with seat and back in 2 separate parts or a plastic seat in PP-plastic. The 2 parts are joined together with a steel fitting milled into the 2 shells. The shells are 10 mm thick. The chair is available fully upholstered, front upholstered, seat upholstered or unupholstered.

VERSION - FULLY UPHOLSTERED

RAL codes are indicative.

- Fully upholstered in fabric/leather
- Fully upholstered in fabric/leather
- Fully upholstered in fabric/leather

Base: Blackstained beech / Oak / Smoked Oak // gloss level 20 / gloss level 20 / gloss level 5

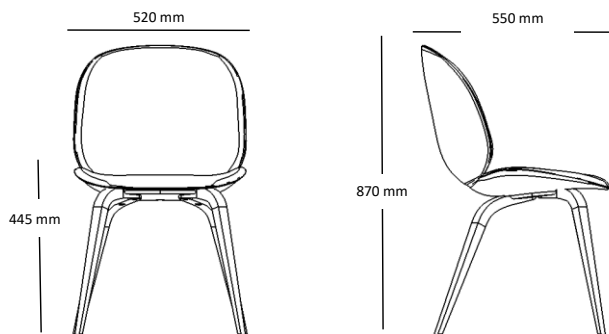
VERSION - PLASTIC SHELL + FRONT/SEAT UPHOLSTERY

RAL codes are indicative.

- Plastic shell in Dark pink - unuplstered or seat/front upholstered in fabric/leather // RAL 020 20 20
- Plastic shell in Green - unuplstered or seat/front upholstered in fabric/leather // RAL 180 20 15
- Plastic shell in Black - unuplstered or seat/front upholstered in fabric/leather // RAL 9005
- Plastic shell in Blue grey - unuplstered or seat/front upholstered in fabric/leather // PAN 7545C
- Plastic shell in New beige - unuplstered or seat/front upholstered in fabric/leather // RAL 075 60 30
- Plastic shell in Sweet pink - unuplstered or seat/front upholstered in fabric/leather // Sikkens D2.15.55
- Plastic shell in White - unuplstered or seat/front upholstered in fabric/leather // RAL 9010

Base: Blackstained beech / Oak / Smoked Oak // gloss level 20 / gloss level 20 / gloss level 5

Order item - look for part number in the pricelist.



FACTS

MEASUREMENT - L x W x H mm

- Sitting height: 445 mm
- Seat width: 490 mm
- Seat depth: 405 mm
- Seat height: 460 mm
- Back height: 430 mm
- Chair width: 520 mm
- Chair depth: 550 mm
- Chair height: 870 mm

WEIGHT ITEM

- Fully upholstered: 7,8 kg
- Front upholstered: 7,1 kg
- Seat upholstered: 6,0 kg
- Unupholstered: 5,1 kg

PACKAGING TYPE

Cardboard box

PACKAGING MEASUREMENT - L x W x H CM

L:59 x W:60 x H:94 cm

WEIGHT PACKAGING - MATERIAL TYPE

- Delivery note: 5 g
- Cardboard box, FEFCO quality EB85BB: 3400 g
- Polybag PE: 200 g
- LD-EPE foam protector: 100 g
- Strapping: 10 g

WEIGHT - TOTAL

- Fully upholstered: 11,5 kg
- Front upholstered: 10,8 kg
- Seat upholstered: 9,7 kg
- Unupholstered: 8,8 kg

NUMBER OF PARCELS

1 pcs.

Designed by GamFratesi

ACCESSORIES

- PLASTIC GLIDES ARE STANDARD.

ENVIRONMENT

Parts can be separated and sorted for recycling.

Disposal of plastic type PP may be done with incineration of waste.

TESTS

Foam is fire retardant according to California Technical Bulletin 117.

Foam according to BS 5852, Crip 5, is available on request

Chair fulfils the requirements in EN 1022:2005 and EN 16139:2013. Loading according to Test severity L1.

CERTIFICATION AND LABELS

-

CLEANING AND MAINTENANCE

For cleaning the upholstered surface, first try to brush off the dirt gently. If this is not enough then vacuum the surface.

If further cleaning of the upholstery is needed, a stain remover is recommended. The cleaning has to be gentle and must always be tested on the most invisible area of the surface before the actual cleaning. Avoid blotches by gentle, circular rubbing towards the stain.

To avoid stains, quickly remove the dirt with a piece of absorbing household wipe and clean with water and colourless washing-up liquid.

Do not use the following products for the padding:

- Undiluted cleaning liquids.
- Bleach.
- Ammoniac.
- Soap for hard surfaces.

For dusting and light cleaning of the frame use a soft, dry cloth.

For further cleaning of the frame, use a soft cloth that is firmly wrung in clean water for gently wiping the surface, and then immediately use a dry cloth to wipe the surface again.

Do not use materials for maintenance that:

- Contain abrasive agents.
- Are basic, acidiferous or organic.

For the best maintenance of the product, protect it against sunlight and heat, and try to keep it away from moisture, grease and other dirt.

Furthermore, protect the surfaces against sharp objects and other that might scratch.

FULLY UPHOLSTERED - W X L

-Chair and piping same fabric: 140 cm x 1,54 m

- Chair fabric: 140 cm x 1,33 m

- Fabric piping: 140 cm x 0,21 m

- Chair leather: 2,88 m²

- Leather piping: 0,26 m²

HR5050, 190 N, 50 kg/m³, 20 mm

HR3010, 45 N, 30 kg/m³, 15 mm

HR3737, 140 N, 36 kg/m³, 5 mm

FRONT UPHOLSTERED - W X L

- Chair fabric: 140 cm x 0,71 m

- Chair leather: 1,39 m²

HR5050, 190 N, 50 kg/m³, 20 mm

HR3010, 45 N, 30 kg/m³, 15 mm

SEAT UPHOLSTERED - W X L

- Seat fabric: 140 cm x 0,64 m

- Seat leather: 0,67 m²

HR5050, 190 N, 50 kg/m³, 20 mm

HR3010, 45 N, 30 kg/m³, 15 mm